

# **BALDOR**® • **RELIANCE**

## **Product Information Packet**

# **EM7044T-5**

**5HP,1750RPM,3PH,60HZ,184T,3642M,XPFC,F1**

Part Detail							
Revision:	G	Status:	PRD/A	Change #:		Proprietary:	No
Type:	AC	Prod. Type:	3642M	Elec. Spec:	36WGS551	CD Diagram:	CD0006
Enclosure:	XPFC	Mfg Plant:		Mech. Spec:	36T024	Layout:	36LYT024
Frame:	184T	Mounting:	F1	Poles:	04	Created Date:	08-12-2010
Base:	RG	Rotation:	R	Insulation:	B	Eff. Date:	12-22-2016
Leads:	3#16					Replaced By:	
Literature:		Elec. Diagram:					

Nameplate NP1426XPSLEV	
NO.	<input type="text"/> CC 010A
SER.	<input type="text"/>
SPEC.	36T024S551G1
CAT.NO.	EM7044T-5
HP	5 T. CODE T3C
VOLTS	575
AMPS	5.3
RPM	1750
HZ	60 PH 3 CL B
SER.F.	1.00 DES B CODE J
RATING	40C AMB-CONT
FRAME	184T NEMA-NOM-EFF 89.5
USABLE AT 208V	PF 78
BLANK	<input type="text"/>

Parts List		
Part Number	Description	Quantity
SA201388	SA 36T024S551G1	1.000 EA
RA188686	RA 36T024S551G1	1.000 EA
36FN3000C01	EXFN, PLASTIC, 5.25 OD, .912 ID	1.000 EA
35CB3001A02SP	EXPL PROOF CONDUIT BOX, 3/4"PIPE TAP LEA	1.000 EA
11XW1032G06	10-32 X .38, TAPTITE II, HEX WSHR SLTD U	1.000 EA
HW3001B01	BRASS CUP WASHER, FOR #8 SCREW	1.000 EA
36EP1702A01	FR ENDPLATE, MACH	1.000 EA
HW4500A19	1/4-28X1/4 SLOTTED PLUG F/S	2.000 EA
HW5100A05	WVY WSHR F/205 & 304 BRGS	1.000 EA
36EP3701A01	PU ENDPLATE, MACH	1.000 EA
HW4500A19	1/4-28X1/4 SLOTTED PLUG F/S	2.000 EA
XY3816A12	3/8-16 FINISHED NUT	4.000 EA
36FH3003	FAN COVER, CAST	1.000 EA
12XN1032A08	10-32X1/2 HEX HD SLTD	4.000 EA
HW1001A10	WASHER, #10 SPLT LK, ZN X	4.000 EA
35CB3500A01SP	CONDUIT BOX LID, MACH	1.000 EA
51XN2520A16	SCREW, HEX WS SLT, ZN, 1/4-20 X 1.00	4.000 EA
HW2501E16	3KEY, 1/4 SQ X 1.750	1.000 EA
HA7000A02	KEY RETAINER RING, 1 1/8 DIA, 1 3/8 DIA	1.000 EA
85XU0407S04	4X1/4 U DRIVE PIN STAINLESS	6.000 EA
NP0018F	ALUM UL XP CONDUIT BOX NAMEPLATE	1.000 EA
MJ1000A02	GREASE, POLYREX EM EXXON (USe 4824-15A)	0.050 LB
51XB1214A16	12-14X1.00 HXWSSLD SERTYB	1.000 EA
MG1025G29	WILKOFAS, 789.229, DARK CHARCOAL GRAY	0.022 GA

<b>Parts List (continued)</b>		
<b>Part Number</b>	<b>Description</b>	<b>Quantity</b>
HA3105A09	THRUBOLT 3/8-16 X 12.000	4.000 EA
LB1119N	WARNING LABEL	1.000 EA
LC0006	CONNECTION LABEL	1.000 EA
NP1426XPSLEV	SS XP UL CSA-EEV CC CL-I GP-D	1.000 EA
36PA1001	PKG GRP, PRINT PK1017A06	1.000 EA
MN416A01	TAG-INSTAL-MAINT no wire (1000/bx) 11/14	1.000 EA

**AC Induction Motor Performance Data**

Record # 35734 - Typical performance - not guaranteed values

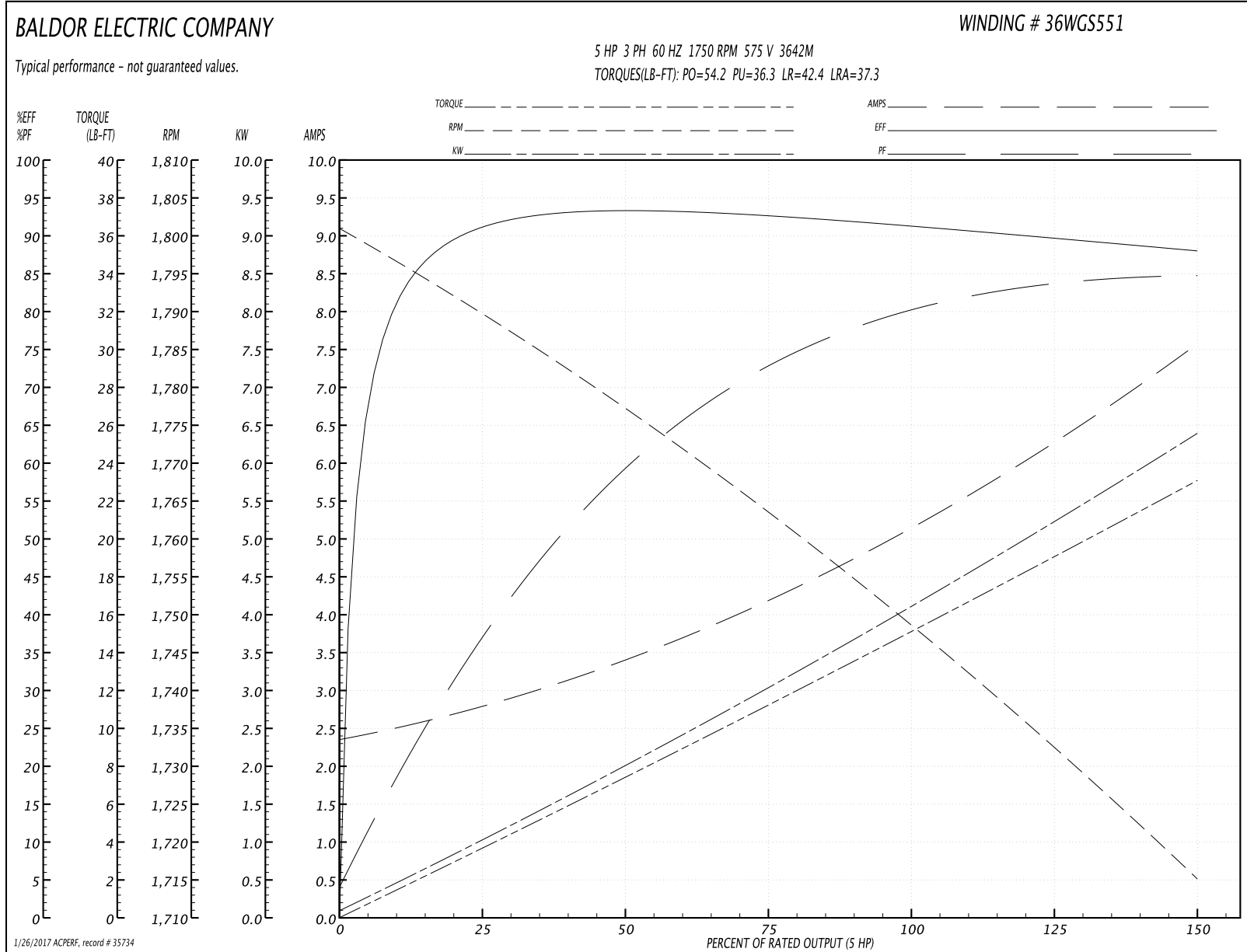
<b>Winding:</b> 36WGS551-R002	<b>Type:</b> 3642M	<b>Enclosure:</b> XPFC
-------------------------------	--------------------	------------------------

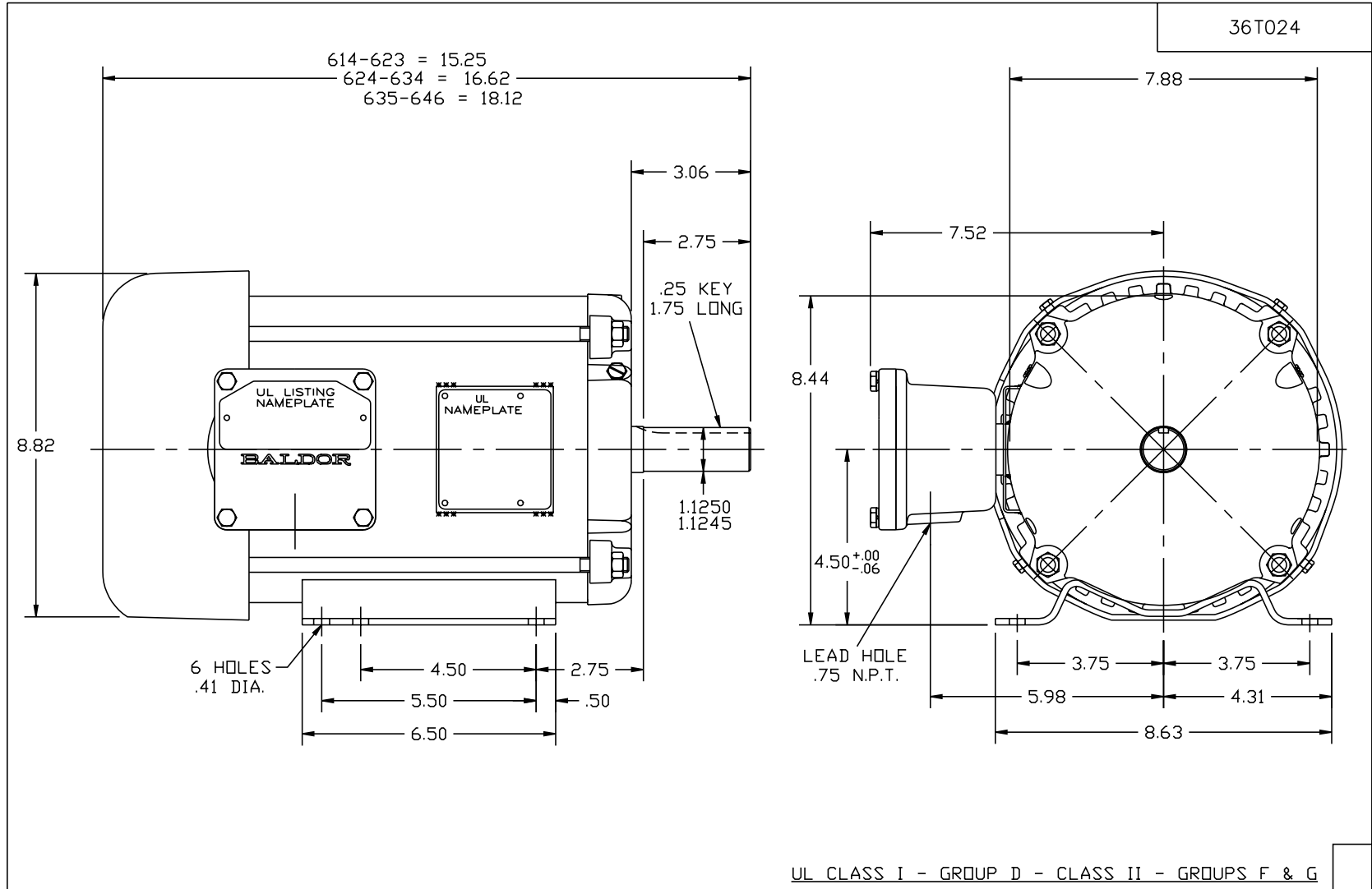
Nameplate Data				575 V, 60 Hz: Single Voltage Motor	
Rated Output (HP)	5			Full Load Torque	15.2 LB-FT
Volts	575			Start Configuration	direct on line
Full Load Amps	5.3			Breakdown Torque	54.2 LB-FT
R.P.M.	1750			Pull-up Torque	36.3 LB-FT
Hz	60	Phase	3	Locked-rotor Torque	42.4 LB-FT
NEMA Design Code	B	KVA Code	J	Starting Current	37.3 A
Service Factor (S.F.)	1			No-load Current	2.41 A
NEMA Nom. Eff.	89.5	Power Factor	78	Line-line Res. @ 25°C	3.57 Ω
Rating - Duty	40C AMB-CONT			Temp. Rise @ Rated Load	69°C
S.F. Amps				Temp. Rise @ S.F. Load	84°C
				Locked-rotor Power Factor	40
				Rotor inertia	0.391 LB-FT <sup>2</sup>

Load Characteristics 575 V, 60 Hz, 5 HP

% of Rated Load	25	50	75	100	125	150
Power Factor	38	60	73	80	83	85
Efficiency	91.3	93.3	92.6	91.5	89.6	88.1
Speed	1790	1777	1764	1748	1733	1715
Line amperes	2.71	3.36	4.19	5.21	6.3	7.53

Performance Graph at 575V, 60Hz, 5.0HP Typical performance - Not guaranteed values





UL CLASS I - GROUP D - CLASS II - GROUPS F & G

CUST. NAME		CUST. P.O.		CERTIFIED BY		MODEL		INSUL		AMB							
H.P.		MTG		TYPE		R.P.M.		VOLTS		ENCL							
PHASE		FREQ		FRAME		<h1>BALDOR ELECTRIC Co.</h1> <p>STD HORZ 182-4T XPFC 36M (CL-I GP-D, CL-II GP-F&amp;G)</p>											
REMARKS:																	
REV:	D	UPDATED DESCRIPTION TO STANDARD (SEE EC09)															
7Z019C		SCALE: .3		BY: JER		REVISED: 09/06/95											
		FILE: AAA00004684		TDR: 0080804													

36T024

CD0006



NOTES:

1. THREE LEAD MOTOR MAY BE EITHER WYE CONNECTED OR DELTA CONNECTED.
2. INTERCHANGE ANY TWO LINE LEADS TO REVERSE ROTATION.
3. OPTIONAL THERMOSTATS ARE PROVIDED WHEN SPECIFIED.
4. ACTUAL NUMBER OF INTERNAL PARALLEL CIRCUITS MAY VARY.
5. LEAD COLORS ARE OPTIONAL. LEADS MUST BE NUMBERED AS SHOWN.

REV. DESC: REVISE TO SHOW OPTIONAL COLORS			
REV. LTR: D	BY: JLP	REVISED: 01/21/99 4:02	TDR: 0171435
9000D		FILE: AAA00005141	MDL: -
		MTL: -	

**BALDOR ELECTRIC Co.**

3PH, SV, 3 LEADS, WYE OR DELTA CONNECTED

CD0006