

BALDOR® • **RELIANCE**

Product Information Packet

EM74124T-4

125HP, 1785/1485RPM, 3PH, 60HZ, 444T, XPFC, F1

| Part Detail | | | | | | | |
|-------------|-------|----------------|---------|-------------|-----------|---------------|------------|
| Revision: | C | Status: | PRD/A | Change #: | | Proprietary: | No |
| Type: | AC | Prod. Type: | A44062M | Elec. Spec: | A44WG1548 | CD Diagram: | 416820-036 |
| Enclosure: | TEFC | Mfg Plant: | | Mech. Spec: | | Layout: | 617426-076 |
| Frame: | X444T | Mounting: | F1 | Poles: | 04 | Created Date: | 03-27-2015 |
| Base: | | Rotation: | R | Insulation: | F | Eff. Date: | 01-20-2016 |
| Leads: | 3#1 | | | | | Replaced By: | |
| Literature: | | Elec. Diagram: | | | | | |

| | |
|-----------------------|-------|
| Nameplate 000613006PC | |
| CLASS I GROUP | C D X |
| CLASS II GROUP | F G X |
| OPERATING TEMP CODE | T4 |

| Nameplate NP2293L | | | | | | | |
|-------------------|------------|---------------------|---------------|-------------|-------|------|------|
| CAT.NO. | EM74124T-4 | SPEC NO. | A44-7067-1548 | FRAME | X444T | | |
| HP | 125//100 | PHASE | 3 | DESIGN | B | TYPE | P |
| RPM | 1785//1485 | HZ | 60//50 | AMB | 40 | SF | 1.00 |
| VOLTS | 460//380 | DUTY | CONT | INSUL.CLASS | F | | |
| AMPS | 139//137 | ENCL | TEFC | CODE | G | | |
| DRIVE END BEARING | 90BC03J30X | NEMA-NOM-EFFICIENCY | 95.4 | | | | |
| OPP D.E. BEARING | 90BC03J30X | | | | | | |
| SER.NO. | | MOTOR WEIGHT | 1804 | | | | |

| | |
|-------------------|--|
| Nameplate NP2496L | |
| MOBIL POLYREX EM | |
| | |

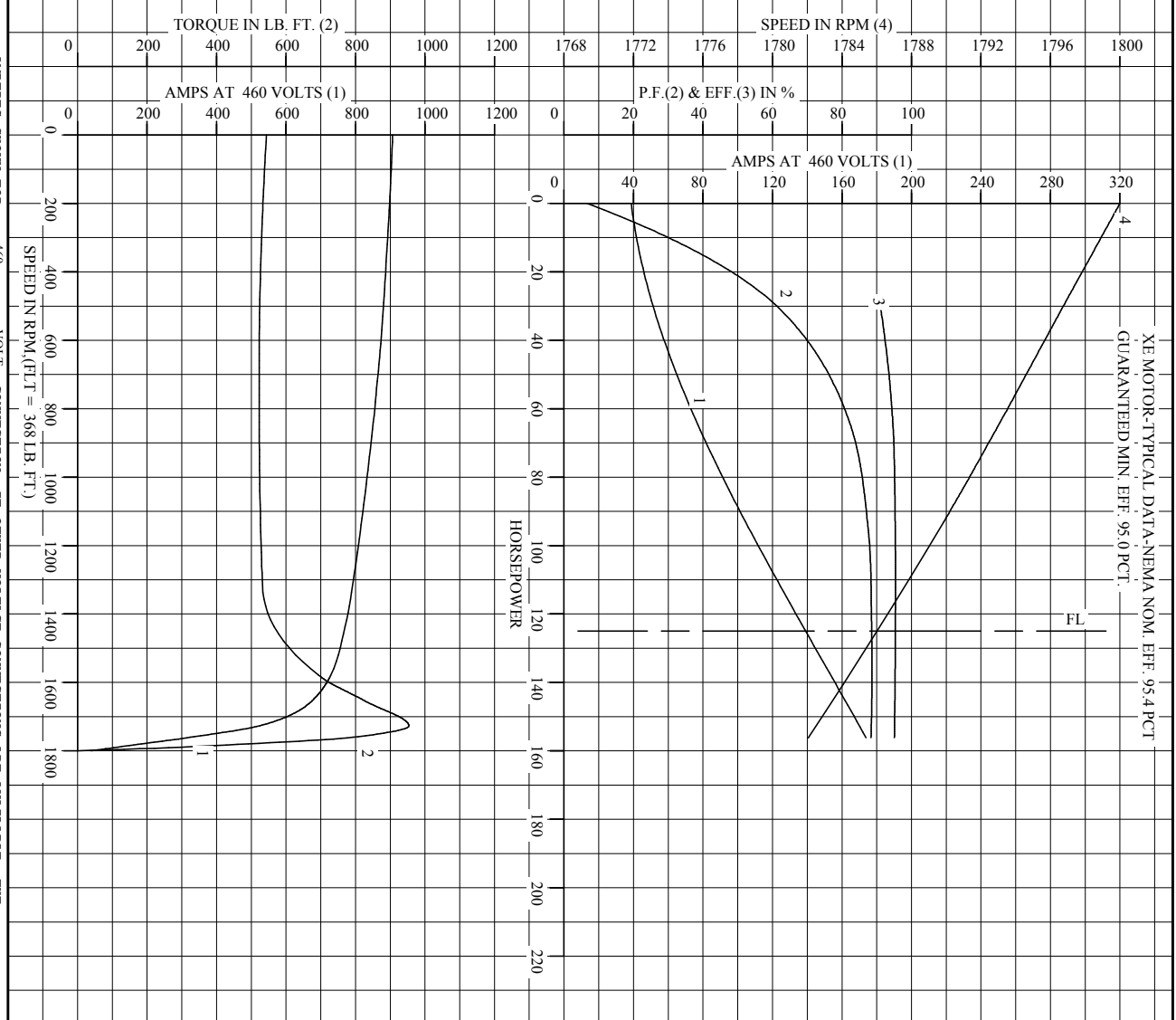
| Parts List | | |
|-------------|--|----------|
| Part Number | Description | Quantity |
| SA303001 | SA A44-7067-1548 | 1.000 EA |
| RA290109 | RA A44-7067-1548 | 1.000 EA |
| 000692000VD | LABEL WARNING | 1.000 EA |
| 000692000FF | N/P | 1.000 EA |
| 000613006PC | N/P U/L (REL QTY 500) | 1.000 EA |
| LB1073 | ALUM XP CAUTION LABEL | 1.000 EA |
| NP2293L | BALDOR RELIANCE INDUST. MTR,SS,CSA-C US, | 1.000 EA |
| NP2496L | MOTOR LUBE NAMEPLATE | 1.000 EA |
| 603284001W | SLGN - 449 | 1.000 EA |
| 609158001D | SLGR - 440 | 1.000 EA |
| 089448117B | G28 X/P FT MNT ODE BRKT MCHG 6318 | 1.000 EA |
| 415072001B | CLAMP | 1.000 EA |
| 083199082A | G28 FAN COVER MACHINING SHORT VERSION | 1.000 EA |
| 034180014DA | KEY 1/4X1/4X1-3/4 L | 1.000 EA |
| 702618011RL | FAN 440 702618004R | 1.000 EA |
| 004824015A | GREASE POLYREX EM | 1.160 LB |
| 032018008CK | HHCS 3/8-16X1L PLATED | 4.000 EA |
| 032018028DK | HHCS 1/2-13X3-1/2 PLTD. | 3.000 EA |
| 415096002A | CPLG 1/8 HEX TYPE | 1.000 EA |
| 034630002AB | CPLG 1/4" PLATED | 1.000 EA |
| 415045002A | SLGR | 1.000 EA |
| 410700004A | WSHR | 1.000 EA |
| 034017014AB | LCKW 3/8 STD. PLATED | 4.000 EA |
| 032130024HB | HSHCS 1-8X3" PLATED | 4.000 EA |

| Parts List (continued) | | |
|------------------------|--|-----------|
| Part Number | Description | Quantity |
| 034530072AB | P/NIP 1/8X9"L Threaded both ends | 1.000 EA |
| 034530072BB | PIPE NIPPLE,DE - 440-BS | 1.000 EA |
| 034690002AB | "unbulked" PPLG 1/4" PLTD. | 1.000 EA |
| 034690002AB | "unbulked" PPLG 1/4" PLTD. | 1.000 EA |
| 089448117A | G28 X/P FT MNT DE BRKT MCHG 6318 | 1.000 EA |
| 032018030DK | HHCS 1/2-13X3-3/4 PLTD. | 3.000 EA |
| 415045002A | SLGR | 1.000 EA |
| 034017016AB | LCKW 1/2" PLATED | 3.000 EA |
| 034530044BB | P/NIP 1/4X5-1/2L PLT | 1.000 EA |
| 034530044AB | P/NIP 1/8X5-1/2L GALV. | 1.000 EA |
| 415096002A | CPLG 1/8 HEX TYPE | 1.000 EA |
| 034630002AB | CPLG 1/4" PLATED | 1.000 EA |
| 702623018B | BRKT MOUNTED G28 XP T-BARRIER - 6318 BRG | 1.000 EA |
| 032018006BK | HHCS 5/16-18X3/4 PLATED | 3.000 EA |
| 034017013AB | LCKW 5/16 STD. PLATED | 3.000 EA |
| 032130024HB | HSHCS 1-8X3" PLATED | 4.000 EA |
| 18CB1004A01 | STD CONDUIT BOX 444-449T 318 EXPL PROOF | 1.000 EA |
| 18CB1504A01 | STD CONDUIT BOX LID 444-449T 318 EXPL PR | 1.000 EA |
| 418150003A | GREASE FITTING CAP | 1.000 EA |
| 034017018AB | LCKW 5/8" | 10.000 EA |
| 035000001A | ALFTG 1/8" 1610-BL | 1.000 EA |
| 032130016EB | HSHCS 5/8-11X2 PLTD. | 10.000 EA |
| 032130020EB | HSHCS 5/8-11X2-1/2PLTD. | 4.000 EA |
| 034017018AB | LCKW 5/8" | 4.000 EA |

Product Information Packet: EM74124T-4 - 125HP,1785/1485RPM,3PH,60HZ,444T,XPFC,F1

| | | |
|-------------|---|----------|
| 047024002J | TERMINAL LUG - MAKE FM F | 1.000 EA |
| 406099000A | PLUG - FAN COVER 320-440 | 1.000 EA |
| 032620016LA | SOCKET SET SCREW-449 | 3.000 EA |
| 032018008DK | HHCS 1/2-13X1 PLATED | 1.000 EA |
| 406055001B | GRFTG | 1.000 EA |
| 035000001A | ALFTG 1/8" 1610-BL | 1.000 EA |
| 418150003A | GREASE FITTING CAP | 1.000 EA |
| MG1025G05 | WILKOFAS, 789.227, MED. GRAY CHAR. MET. | 0.250 GA |
| 033775004EA | DRSCR #6-1/4 304 S.S. | 4.000 EA |
| 85XU0407S04 | 4X1/4 U DRIVE PIN STAINLESS | 2.000 EA |
| 034180054KA | KEY 7/8X7/8X6-3/4 L | 1.000 EA |
| 604797045 | STD. 400 FRAME SKID | 1.000 EA |
| 032510024D | CARRIAGE BOLT - 444 | 2.000 EA |
| 034001014AB | FLAT WASHER 3/8"PLATED | 2.000 EA |
| 034001016AB | WSHR .562ID 1.375OD .109 | 2.000 EA |
| 033300014AC | HEX NUT, SHIPPING - 400 | 2.000 EA |
| 604797003C | SHIPPING BAG | 1.000 EA |

REL. S. O. _____ RPM 1785 S.F. 1.00 ROTOR 418143040PE
 FRAME 444T VOLTS 460 NEMA DESIGN B TEST S. O. ---
 HP 125 AMPS 139 CODE LETTER G TEST DATE ---
 TYPE P DUTY CONT ENCLOSURE FCKE STATOR RES. @ 25 °C .0375
 PHASE/HERTZ 3/60 AMB °C/INSUL 40/F E/S 597900 OHMS (BETWEEN LINES)



AMPERES SHOWN FOR 460 VOLT CONNECTION, IF OTHER VOLTAGE CONNECTIONS ARE AVAILABLE, THE AMPERES WILL VARY INVERSELY WITH THE RATED VOLTAGE.

BALDOR
 A MEMBER OF THE ABB GROUP

DR. BY T.G. KEHATI
 CK. BY W.L. SMITH
 App. BY T.G. KEHATI
 DATE 08/26/11

A-C MOTOR PERFORMANCE CURVES
 A44W/G1548-R002
 ISSUE DATE 08/26/11

Printed on 8/26/11 14:34 @ ragsun

| | | | | | | |
|-----------|-------------|-------------------|-----------|--|-------------|-------|
| REL. S.O. | FRAME | HP | TYPE | PHASE/HERTZ | RPM | VOLTS |
| | 444T | 125 | P | 3/60 | 1785 | 460 |
| AMPS | DUTY | AMB °C/ INSUL. | S.F. | NEMA DESIGN | CODE LETTER | ENCL. |
| 139 | CONT | 40/F | 1.00 | B | G | FCXE |
| E/S | ROTOR | TEST S.O. | TEST DATE | STATOR RES. @25 °C OHMS (BETWEEN LINES) | | |
| 597900 | 418143040PE | --- | --- | .0375 | | |

PERFORMANCE


| LOAD | HP | AMPERES | RPM | POWER FACTOR % | EFFICIENCY % |
|---------|------|---------|------|----------------|--------------|
| NO LOAD | 0 | 38.9 | 1800 | 6.69 | 0 |
| 1/4 | 31.3 | 51.3 | 1797 | 62.5 | 91.2 |
| 2/4 | 62.5 | 75.8 | 1793 | 81.7 | 94.5 |
| 3/4 | 93.7 | 105 | 1790 | 87.4 | 95.3 |
| 4/4 | 125 | 139 | 1786 | 88.5 | 95.4 |
| 5/4 | 156 | 174 | 1782 | 88.4 | 95.1 |

SPEED TORQUE

| | RPM | TORQUE % FULL LOAD | TORQUE LB.-FT. | AMPERES |
|--------------|------|--------------------|----------------|---------|
| LOCKED ROTOR | 0 | 148 | 544 | 907 |
| PULL UP | 700 | 142 | 523 | 865 |
| BREAKDOWN | 1727 | 259 | 954 | 522 |
| FULL LOAD | 1786 | 100 | 368 | 139 |

AMPERES SHOWN FOR 460. VOLT CONNECTION. IF OTHER VOLTAGE CONNECTIONS ARE AVAILABLE, THE AMPERES WILL VARY INVERSELY WITH THE RATED VOLTAGE

REMARKS: XE MOTOR-TYPICAL DATA-NEMA NOM. EFF. 95.4 PCT.
GUARANTEED MIN. EFF. 95.0 PCT.

| | | | |
|---|--------|------------|--|
|  | DR. BY | T.G.KELAVI | A-C MOTOR PERFORMANCE DATA A44WG1548-R002 ISSUE DATE 08/26/11 |
| | CK. BY | W.I.SMITH | |
| A MEMBER OF THE ABB GROUP | | APP. BY | T.G.KELAVI |
| | | DATE | 08/26/11 |

617426-076

DUTY MASTER ALTERNATING CURRENT MOTORS

SQUIRREL-CAGE INDUCTION

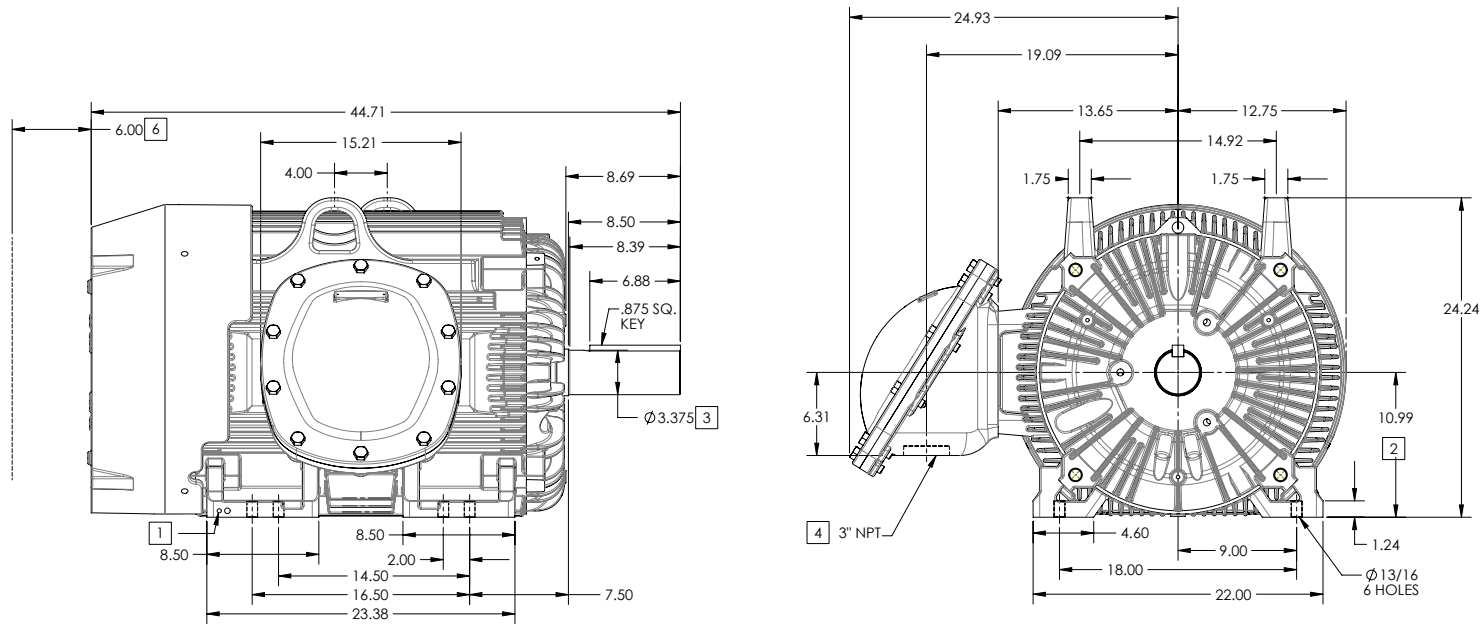
ENCLOSURE: UL LISTED MOTOR

FRAME G445T ABOVE NEMA RATINGS

COOLING: FAN COOLED

MOUNTING: FOOT

INCLUDES 444T FRAME MOUNTING HOLES



1. GROUND HOLES QTY 1 1/2-13 TAP; QTY 1 3/8-16 TAP
2. VARIES +.00,-.06
3. VARIES +.000,-.001
4. ON STANDARD MOTORS THIS IS CONDUIT SIZE. ON XT AND CORROSION PROOF MOTOR THIS IS PIPE TAP.
5. MOTOR WEIGHTS MAY VARY BY 15% DEPENDING ON RATING.
6. OBSTRUCTION MUST NO ENCROACH ON AIR INLET

CONDUIT BOX LOCATED ON OPPOSITE SIDE WHEN F-2.
IF MOUNTING CLEARANCE DETAILS ARE REQUIRED, CONSULT FACTORY.
MAXIMUM PERMISSIBLE SHAFT RUNOUT WHEN MEASURED AT END OF
STANDARD SHAFT EXTENSION IS .003" T.I.R. TO 5 INCH DIA.

[5] WEIGHT (LBS): 2150

DRIVE END AIR DEFLECTOR IS ONLY INCLUDED WHEN NECESSARY.

DIMENSIONS ARE IN INCHES; SEE SHEET 2 FOR DIMENSIONS IN MILLIMETERS

CUSTOMER IS RESPONSIBLE FOR DETERMINING THAT MOTOR PERFORMANCE IS SUITABLE IN THE APPLICATION.

SHEET NUMBER
1 OF 2
9/07-076-119

| | | | |
|----------------------|-------------|------------------------------|------------------|
| REV. DESC: NEW | VERSION: 00 | REVISED: 02/08/09 04/20/2015 | TDR: 00000868391 |
| MODEL NO. 617426-076 | BY: RAGTBM | Material: | REF: |

BALDOR

G445T/444T XP - FOOTED - CL 1 GR C & D CL 2 GR F & G

617426-076

617426-076

DUTY MASTER ALTERNATING CURRENT MOTORS

SQUIRREL-CAGE INDUCTION

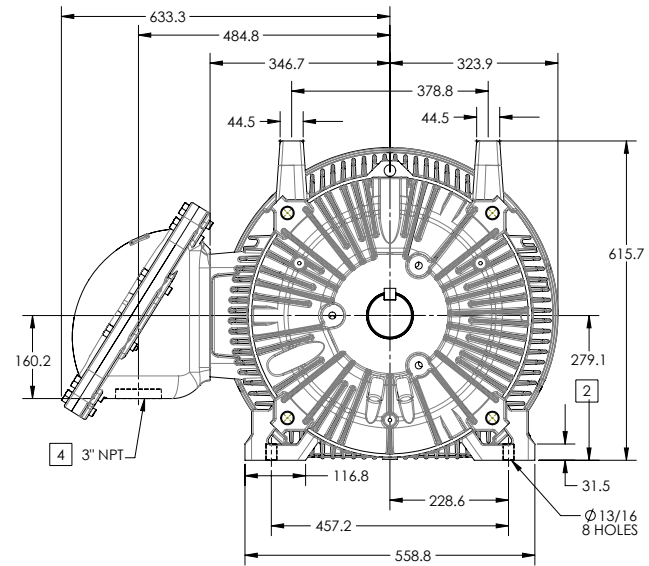
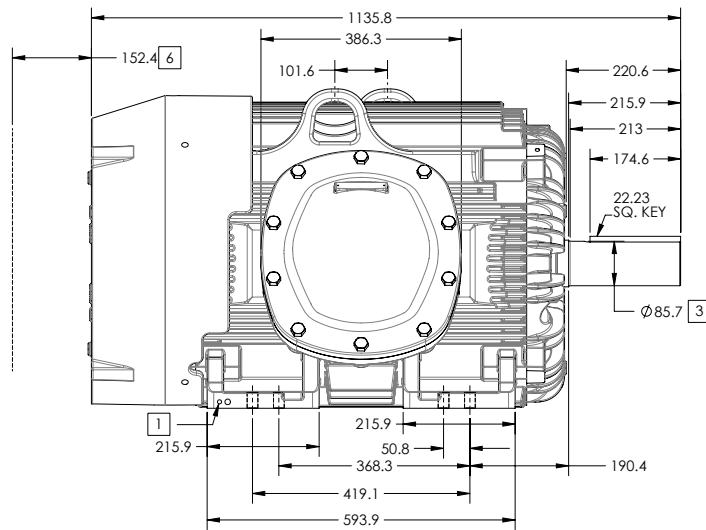
ENCLOSURE: UL LISTED MOTOR

FRAME G445T ABOVE NEMA RATINGS

COOLING: FAN COOLED

MOUNTING: FOOT

INCLUDES 444T FRAME MOUNTING HOLES



1. GROUND HOLES QTY 1 1/2-13 TAP; QTY 1 3/8-16 TAP
2. VARIES +.00, -.06
3. VARIES +.000, -.001
4. ON STANDARD MOTORS THIS IS CONDUIT SIZE. ON XT AND CORROSION PROOF MOTOR THIS IS PIPE TAP.
5. MOTOR WEIGHTS MAY VARY BY 15% DEPENDING ON RATING.
6. OBSTRUCTION MUST NO ENCR OACH ON AIR INLET

CONDUIT BOX LOCATED ON OPPOSITE SIDE WHEN F-2.
IF MOUNTING CLEARANCE DETAILS ARE REQUIRED, CONSULT FACTORY.
MAXIMUM PERMISSIBLE SHAFT RUNOUT WHEN MEASURED AT END OF STANDARD SHAFT EXTENSION IS .08 MM T.I.R. TO 127 MM DIA.

5 WEIGHT (KGS): 975

DRIVE END AIR DEFLECTOR IS ONLY INCLUDED WHEN NECESSARY.

DIMENSIONS ARE IN MILLIMETERS; SEE SHEET 1 FOR DIMENSIONS IN INCHES

CUSTOMER IS RESPONSIBLE FOR DETERMINING THAT MOTOR PERFORMANCE IS SUITABLE IN THE APPLICATION.

SHEET NUMBER
2 OF 2

9L079C7119

| | | | |
|----------------------|-------------|------------------------------|------------------|
| REV. DESC: NEW | VERSION: 00 | REVISED: 02/08/09 04/20/2015 | TDR: 00000868391 |
| MODEL NO. 617426-076 | BY: RAGTBM | Material: | REF: |

BALDOR

G445T/444T XP - FOOTED - CL 1 GR C & D CL 2 GR F & G

617426-076

416820-036

A-C MOTOR
 CONNECTION DIAGRAM
 STANDARD 3 LEAD CONNECTED



(N.P. 1575-BA)

416820-036

| | | |
|--------------------------------------|------------------------------|-------------------|
| REV. DESC: LOADED TO BUS, C/R 335225 | | |
| REV. LTR: - | VERSION: 00 | TDR: 000000538207 |
| FILE: \MGA\00000\682 | REVISED: 11:54:06 04/30/2010 | |
| MTL: - | BY: RAGRA | |

BALDOR

CONN DIAG - STANDARD 3 LEAD

SH 1 of 1

Marketing maintained PDF of MN408:

<http://www.baldor.com/support/Literature/Load.ashx/MN408?ManNumber=MN408>

Marketing maintained PDF of MN416:

<http://www.baldor.com/support/Literature/Load.ashx/MN416?ManNumber=MN416>