

BALDOR® • ***RELIANCE***

Product Information Packet

IDDRPM18254C

25HP,1740RPM,3PH,60HZ,1844C,DPG-FV,FT/2

Part Detail							
Revision:	-	Status:	PRD/A	Change #:		Proprietary:	No
Type:	AC	Prod. Type:		Elec. Spec:	L3346A	CD Diagram:	422927-001
Enclosure:	DPFV	Mfg Plant:		Mech. Spec:		Layout:	617233-023
Frame:	FL1844CZ	Mounting:	F1	Poles:	04	Created Date:	04-10-2015
Base:		Rotation:	R	Insulation:	H	Eff. Date:	04-13-2015
Leads:						Replaced By:	
Literature:		Elec. Diagram:					

Nameplate 000613006NS																															
	<table border="1"> <thead> <tr> <th>DUTY</th> <th>HP</th> <th>RPM</th> <th>AMPS</th> <th>VOLTS</th> <th>HZ</th> </tr> </thead> <tbody> <tr> <td>CONT</td> <td>25</td> <td>1740</td> <td>33</td> <td>460</td> <td>60</td> </tr> <tr> <td>CONT</td> <td>25</td> <td>3150</td> <td>32</td> <td>460</td> <td>109</td> </tr> <tr> <td></td> <td></td> <td></td> <td></td> <td></td> <td></td> </tr> <tr> <td></td> <td></td> <td></td> <td></td> <td></td> <td></td> </tr> </tbody> </table>	DUTY	HP	RPM	AMPS	VOLTS	HZ	CONT	25	1740	33	460	60	CONT	25	3150	32	460	109												
DUTY	HP	RPM	AMPS	VOLTS	HZ																										
CONT	25	1740	33	460	60																										
CONT	25	3150	32	460	109																										
CAT.NO.	IDDRPM18254C	SPEC. NO.	P18T0330																												
SER.NO.		FR	FL 1844CZ	INSUL	H																										
PH.	3	MAX SAFE SPEED	7200	AMB.	40																										
DESIGN NO.	L3346A	TYPE		ENCL.	DP																										
S.F.	1.0	D.E. BRG.	45BC02JPP30A																												
ENCL MOD	FORCE VENT	O.D.E. BRG.	35BC02JPP30A																												
					MIN. AMB. 0																										

Parts List		
Part Number	Description	Quantity
WS286788	WS P18T0330	1.000 EA
RA282996	RA P18T0330	1.000 EA
000613006NS	RPM AC WITH CERTIFIED LOGO	2.000 EA
000692000FP	NP, WARNING LIFT INSTRUCTIONS	1.000 EA
036170004EA	ROUND HEAD DRIVE SCREW	4.000 EA
418018079A	LABEL	1.000 EA
422927001	C/D LABEL	1.000 EA
032003168CB	THRU BOLT	4.000 EA
033102012AG	HXNUT LEAD CONN	4.000 EA
034017012AB	LCKW 1/4 STD. PLATED	4.000 EA
036000050JB	M8-1,25 X 50 MHHCS	2.000 EA
400638001D	WAVEN	1.000 EA
411693051B	LUG, LIFTING	2.000 EA
807580023BAA	BRKT,DE,FL180	1.000 EA
807580024AAC	BRKT,ODE,FL180,DPFV	1.000 EA
000613006NT	NAME PLATE IEC	1.000 EA
032018004DK	HHCS,DRIP COVER	4.000 EA
032018006CK	HHCS 3/8-16X3/4L PLATED	4.000 EA
034017014AB	LCKW 3/8 STD. PLATED	4.000 EA
036000012HB	HHCS M6X12MM LONG PLATED	2.000 EA
036000012HB	HHCS M6X12MM LONG PLATED	3.000 EA
036000012HB	HHCS M6X12MM LONG PLATED	3.000 EA
036000020HB	HHCS M6-1.0X20MM PLATED	4.000 EA
036000040JB	HHCS,DE BRKT	4.000 EA

Parts List (continued)		
Part Number	Description	Quantity
036200030HB	M6 STUD	4.000 EA
036200055HB	M6 STUD	2.000 EA
036500008AB	METRIC H.NUT M6-1.0 PLTD	6.000 EA
036600008AB	MFWSH M6 PLATED	6.000 EA
036601008AB	M6 FLAT WASHER	3.000 EA
036620009AB	M8 EXTERNAL LK WASHER	1.000 EA
065530000B	GASK	1.000 EA
075451000A	COVER, CONDUIT BOX	1.000 EA
410978010A	FLANGE, INLET BLOWER	1.000 EA
410978011A	GRILL, INLET BLOWER HSG	1.000 EA
415000103G	TLUG	1.000 EA
417733001A	GSK C/ BOX BASE	2.000 EA
418010006A	CAST,MPLATE,180-280,EX1,7BY	1.000 EA
418018074A	GROUND LABEL G100 METRIC 160 D.C.	1.000 EA
422919374	FL180 DPFV HHCVR KIT	1.000 EA
422919374	FL180 DPFV HHCVR KIT	1.000 EA
600164003A	WHEEL, BLOWER	1.000 EA
610490001B	.33HP,3450//2850RPM,3PH,60//50HZ,56C,341	1.000 EA
706305301A	GUARD, SHAFT	1.000 EA
706313063F	BLOWER HOUSING	1.000 EA
706320003A	CONDUIT BOX	1.000 EA
807505070C	DUCT, BLOWER	1.000 EA
418057243A	GROOVE PIN	1.000 EA
807504053C	FL180 TEAO FRAME	1.000 EA

Product Information Packet: IDDRPM18254C - 25HP,1740RPM,3PH,60HZ,1844C,DPG-FV,FT/2

000640000P	TAG WINDING THERMOST	1.000 EA
004824007K	SPECIAL PAINT	0.100 EA
034180022FA	KEY 3/8X3/8X2-3/4 L	1.000 EA
418018116	WARNING PLATE	1.000 EA
036500008AB	METRIC H.NUT M6-1.0 PLTD	2.000 EA
036601008AB	M6 FLAT WASHER	2.000 EA

REL. S. O. -
 FRAME FL1844
 HP 25
 BASE SPEED 1740
 PHASE/HERTZ 3/60

VOLTS 460
 AMPS 33
 DUTY CONT 1.0
 S.F. P.F. .080/.839
 AMB °C/INSUL 40/H WK² (LB-FT²) .645

ENCLOSURE DEPV WYE CONN EQ CKT OHMS PER. PHASE
 MAX SAFE RPM 7200 (AT BASE RATING, 25 °C)
 IM (AMPS) 14 R1 .279 X1 .949
 P.F. .080/.839 R2 .198 X2 .903
 WR² (LB-FT²) .645 XM 15.4

RATED FULL LOAD DATA

	RPM	HP	TORQUE LB-FT	FUND VOLTS	FREQ-HZ	AMPS
BASE SPEED	1741	25.0	75	460	60	34.3
MAX SPEED	3152	25.0	42	460	109	31.6
MIN SPEED	0	0	75	28.1	1.97	34.3


LOAD PERFORMANCE AT BASE SPEED

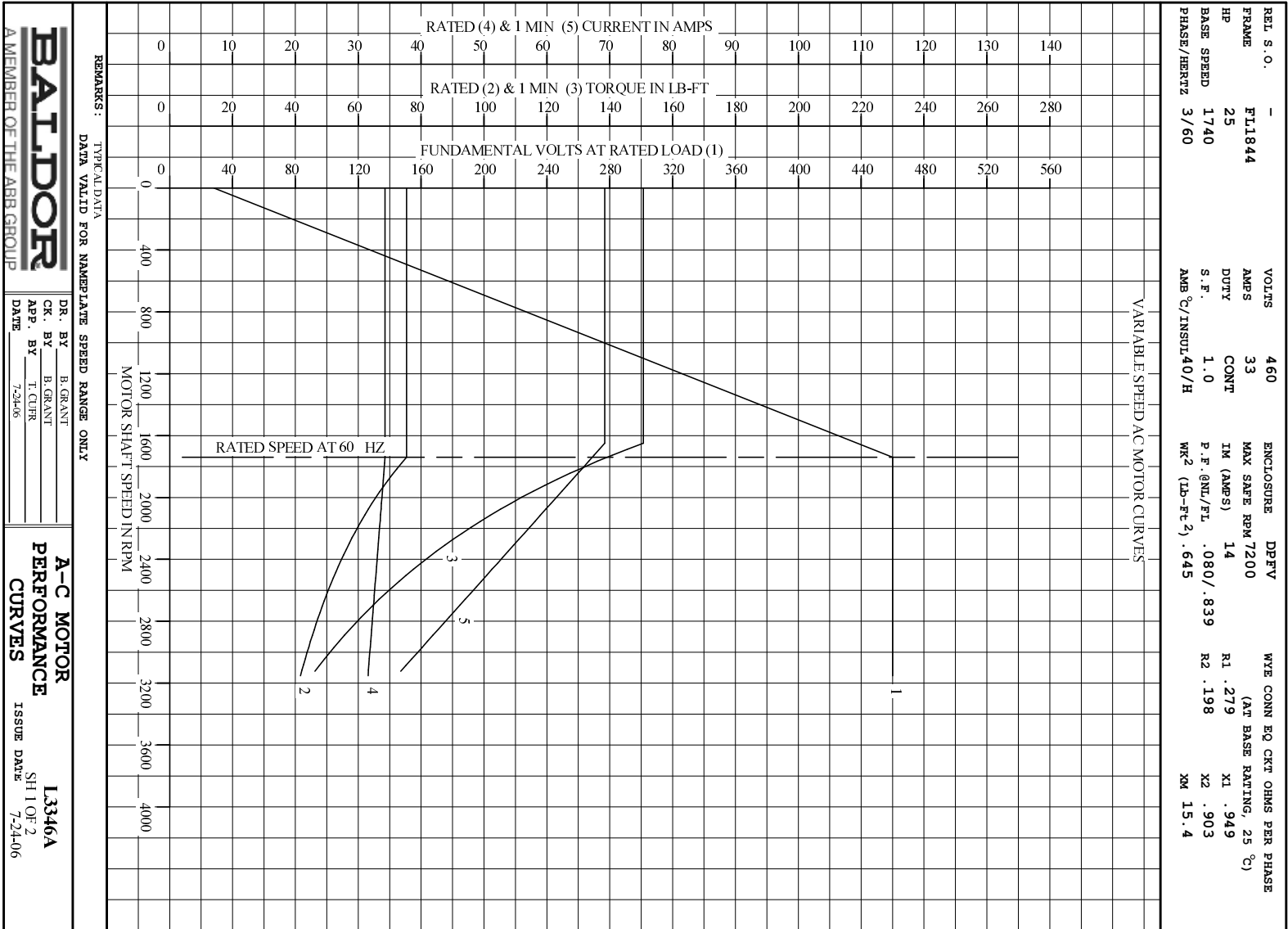
	RPM	HP	TORQUE LB-FT	FUND VOLTS	FREQ-HZ	AMPS
NO LOAD	1800	0	0	460	60	17.6
1/4	1787	6.25	18	460	60	19.0
1/2	1773	12.5	37	460	60	22.6
3/4	1758	18.7	56	460	60	27.8
FULL LOAD	1741	25.0	75	460	60	34.3
O/L	1650	47.4	151	460	60	69.2

BLOWER DATA

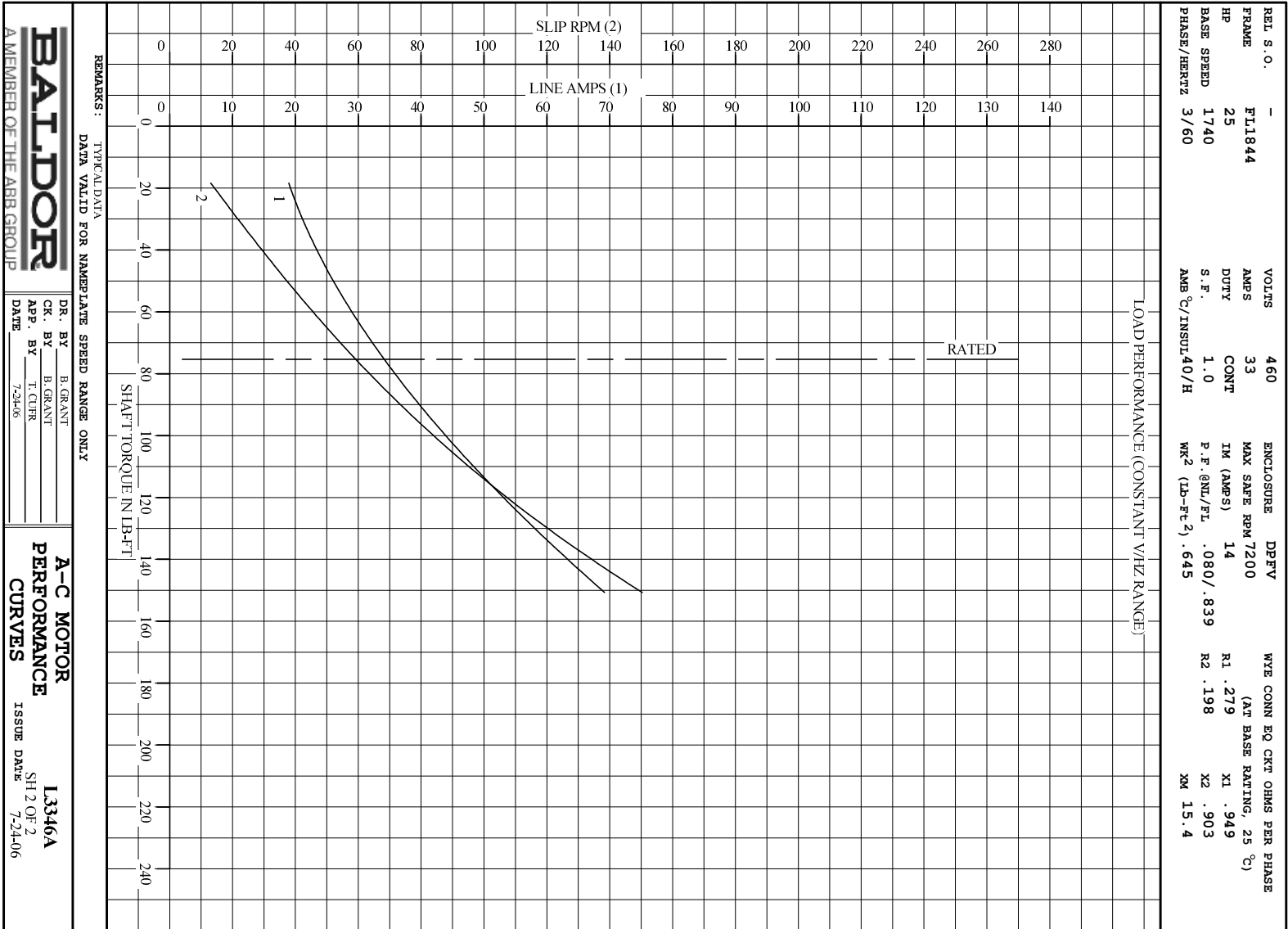
VOLTS	PH/HZ	FL AMPS	LR AMPS	FRAME	CFM

REMARKS: TYPICAL DATA

 A MEMBER OF THE ABB GROUP	DR. BY _____	B. GRANT	A-C MOTOR PERFORMANCE DATA L3346A ISSUE DATE 7-24-06
	CK. BY _____	T. COOPER	
APP. BY _____		7-24-06	
DATE _____			



1



REMARKS: TYPICAL DATA
DATA VALID FOR NAMEPLATE SPEED RANGE ONLY

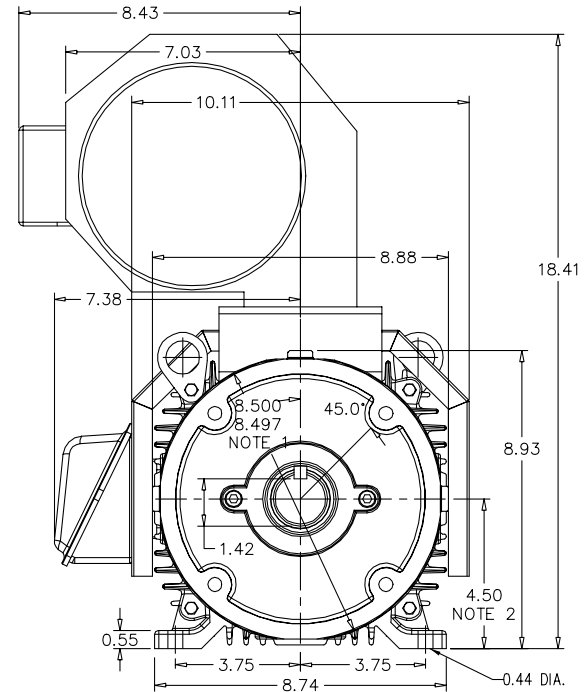
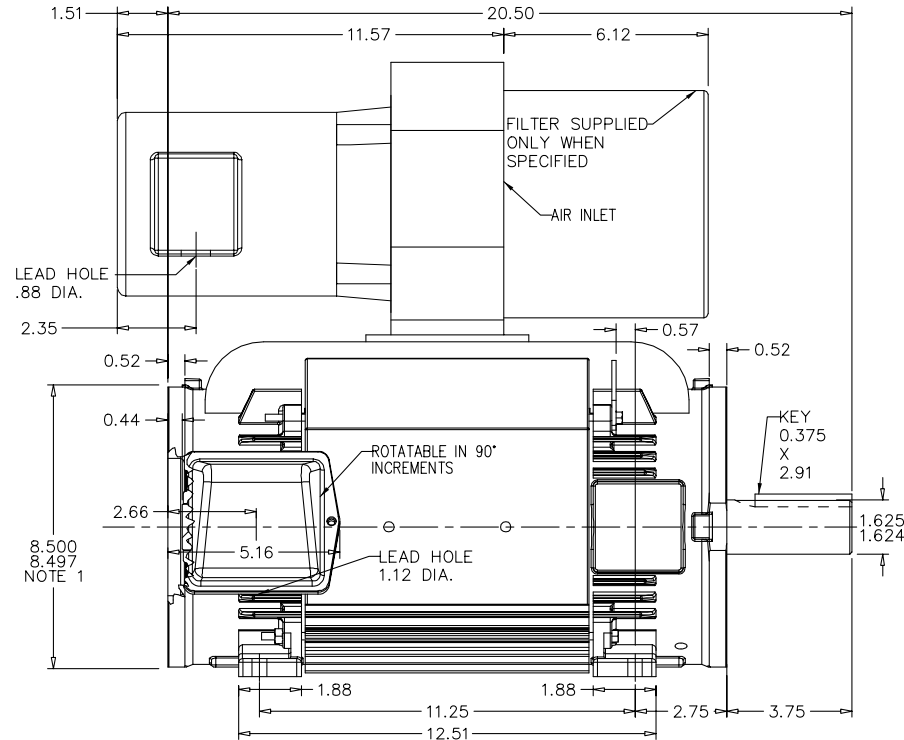
<p>BALDOR A MEMBER OF THE ABB GROUP</p> <p>DR. BY B. GRANT CK. BY B. GRANT APP. BY T. CURR DATE 7-24-06</p>	<p>A-C MOTOR PERFORMANCE CURVES</p> <p style="text-align: right;">L3346A SH 2 OF 2 ISSUE DATE 7-24-06</p>
--	--

617233-023

RPM-AC FINNED FRAME VARIABLE SPEED ALTERNATING CURRENT MOTOR
FL1844CZ

ENCLOSURE: DRIP PROOF
MOUNTING: FOOT / NEMA 250TC C-FACE
DRIVE METHOD: COUPLED OR BELTED

COOLING: FORCE VENTILATED
ACCESSORIES: PROVISIONS FOR TACHOMETER MOUNTING ONLY WHEN SPECIFIED



NOTE 1: C-FACE & TACHOMETER MOUNTING
1/2-13 TAP, 1.00 DEEP, ON A 7.25 DIA. BOLT CIRCLE
FACE RUNOUT AND ECCENTRICITY 0.004 MAX. T.I.R.

NOTE 2: SHAFT HEIGHT WILL NOT BE EXCEEDED
SHIMS UP TO 0.03 INCHES IN THICKNESS ARE USUALLY
REQUIRED FOR COUPLED OR GEARED MACHINES

TERMINAL BOX MAY BE LOCATED F1 OR F2 IF SPECIFIED
40 AMP STEEL TERMINAL BOX SHOWN
REFER TO 616779-50 FOR SPECIFIED TERMINAL BOX DIMENSIONS
REFER TO 616779-55 FOR SPECIFIED TACHOMETER DIMENSIONS

CUSTOMER IS RESPONSIBLE FOR DETERMINING THAT BALDOR'S PRODUCT WILL PERFORM SUITABLY IN THE INTENDED APPLICATION.

REV. DESC: SEE TDR.	VERSION: 03	TDR: 00000751510
REV. LTR: C	REVISED: 03:49:41 06/13/2012	BY: RGGJGG
FILE: \RGG\00003\415		
MTL: -		

BALDOR

DIM SH 250TC RPMAC DPFV FL1844CZ FT MT PROV FOR TACH

SH 1 of 1

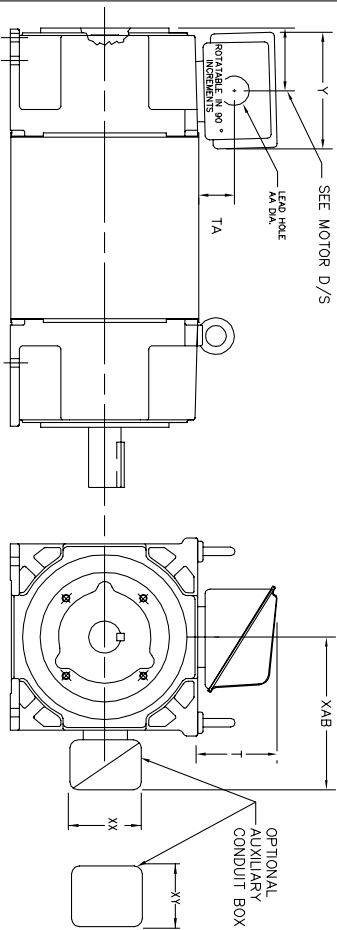
617233-023

618779-050

INDUSTRIAL ALTERNATING CURRENT MOTORS

RPM AC

STEEL, CAST IRON, MILL AND TERMINAL BOARD CONDUIT BOX DIMENSIONS
 NEMA FRAMES FL210 thru RL280 and IEC FRAMES RDL132 thru RDL180
 NEMA FRAMES FL180 thru FL280 and IEC FRAMES FDL112 thru FDL180



TERMINAL BOX	Y	TA	T	AA	MAX AMP'S	REMARKS
706310-63B	14.39	7.43	12.15	--	400	TERMINAL STRIP
706310-226R	9.00	3.06	5.40	Pg36 & Pq16	160	TERMINAL STRIP
706310-225R	7.25	2.30	4.40	Pg29 & Pq16	100	TERMINAL STRIP
706310-56B	9.00	3.06	5.40	Pg36 & Pq16	160	TERMINAL STRIP
706310-56A	7.75	2.30	4.40	Pg29 & Pq16	100	TERMINAL STRIP
706320-14D	15.00	7.56	12.81	5	510	CAST IRON
706320-13A	10.50	4.88	9.00	4.0 TAP	210	CAST IRON
706320-12B	9.25	4.81	8.56	3	140	CAST IRON
75460-62B	7.25	2.50	5.25	1.5 TAP	110	CAST IRON
706320-4C	5.75	2.38	4.38	1.0 TAP	60	CAST IRON FL180 ONLY
706310-3E	16.00	4.40	7.81	3	590	MILL
706310-3X	8.00	2.38	5.00	--	160	MILL
702658-1G	14.62	7.56	12.70	5	500	STEEL
706320-16A	9.00	4.12	8.44	4.59	305	STEEL
706320-9A	7.25	3.50	7.06	2.50	160	STEEL
75454-1AJ	7.69	2.38	5.25	1.94	121	STEEL
75452-B	6.34	2.00	4.12	1.75	61	STEEL
75452-G	6.34	2.00	4.12	--	61	SPECIAL
706320-5A	6.12	2.38	4.38	1.75/2.00	75	STEEL FL180 ONLY
706320-3A	5.00	1.62	3.00	1.12	40	STEEL FL180 ONLY
706320-7A	7.62	2.00	7.00	2.5/3.0	208	STEEL FL180 ONLY

FRAME SIZE	XAB	XX	XY	OPTIMAL AUXILIARY CONDUIT BOX DIMENSIONS (MAXIMUM)					
				FRAME SIZE	XAB	XX	XY		
FL210/FL132/RL210/RL132	7.38	4.25	4.25	60200-7-26-A	FL210/FL132/RL210/RL132	10.88	8.00	8.00	706310-3-B
FL220/FL180/RL220/RL180	8.44	4.23	4.23	60200-7-26-A	FL220/FL180/RL220/RL180	11.88	8.00	8.00	706310-3-B
FL280/FL180/RL280/RL180	9.12	4.23	4.23	60200-7-26-A	FL280/FL180/RL280/RL180	12.62	8.00	8.00	706310-3-B

- (1) 'AA' CONDUIT
- (2) 'AA' PIPE TAP
- (3) CUSTOMER TO PROVIDE HOLE FOR CONDUIT.
- (4) 'E' DN 'SA' OR 'I' TAP DN '4C'

TERMINAL BOX CAN BE ROTATED FOR LEAD OUTLET AT TOP, SIDES OR BOTTOM.
 TERMINAL BOX LOCATED ON OPPOSITE SIDE WHEN F-2, W-1, W-4, W-5, W-7,
 OR C-1 MOUNTING IS SPECIFIED. BOX LOCATED ON TOP WHEN SPECIFIED.

050-60761919

CUSTOMER IS RESPONSIBLE FOR DETERMINING THAT BALDOR'S PRODUCT WILL PERFORM SUITABLY IN THE INTENDED APPLICATION.

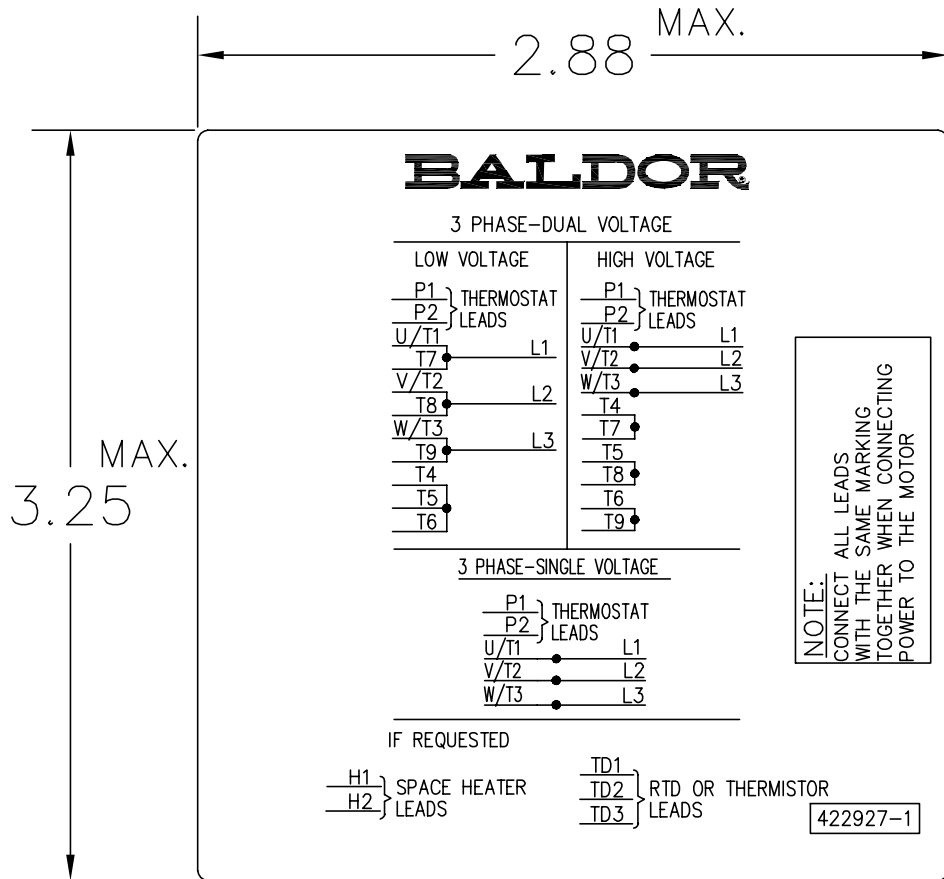
REV. DESC: BOX # 706320-9A, CHANGE AA DIM FROM 2 TO 2.50	TDR: 000000785386
REV. LTR: C	VERSION: 03
FILE: \RGG\00003\692	REVISED: 08:40:55 02/11/2013
MTL: -	BY: RGGWT

BALDOR

DIM SHT NEMA RL210-RL280 FL180-FL280 IEC RDL132-RDL180

SH 1 of 1

422927-001



NOTE:
DATA TO BE SIZED
SO THAT IT FITS INTO
MATERIAL DECAL
DIMENSIONS. MAKE
LETTERS & NUMBERS
AS LARGE AS POSSIBLE.

MATERIAL: CERAMATIC DGF-P4
PERMA GRIP ADHESIVE

ALL LETTERS, NUMBERS
AND LINES TO BE BLACK
ON WHITE BACKGROUND.

422927-001

REV. DESC: CHANGE BACKGROUND COLOR FROM GOLD TO WHITE		
REV. LTR: B	VERSION: 02	TDR: 00000788708
FILE: \RGG\00000\203	REVISED: 08:09:29 03/04/2013	
MTL: -	BY: RGGWT	

BALDOR

EXTERNAL CONNECTION LABEL

SH 1 of 1

Marketing maintained PDF of MN406:

<http://www.baldor.com/support/Literature/Load.ashx/MN406?ManNumber=MN406>