

BALDOR® • **RELIANCE**

Product Information Packet

IDDRPM281256

125HP, 1165RPM, 3PH, NAHZ, L2898, DPG-FV, FOOT

Part Detail							
Revision:	-	Status:	PRD/A	Change #:		Proprietary:	No
Type:	AC	Prod. Type:		Elec. Spec:	L1591A	CD Diagram:	422927-001
Enclosure:	DPFV	Mfg Plant:		Mech. Spec:		Layout:	617249-001
Frame:	RL2898	Mounting:	F1	Poles:	04	Created Date:	04-10-2015
Base:		Rotation:	R	Insulation:	H	Eff. Date:	04-13-2015
Leads:						Replaced By:	
Literature:		Elec. Diagram:					

		DUTY	HP	RPM	AMPS	VOLTS	HZ		
	CONT		125	1165	150.9	460	40		
	CONT		125	1970	159	460	68		
CAT.NO.	IDDRPM281256			SPEC. NO.		P28R0316			
SER.NO.				FR	RL 2898	INSUL	H		
PH.	3	MAX SAFE SPEED		5000	AMB.	40	MIN. AMB.		0
DESIGN NO.	L1591A			TYPE		ENCL.	DP		
S.F.	1.0			D.E. BRG.	75BC02J30X				
ENCL MOD	FORCE VENT			O.D.E. BRG.	55BC02J30X				

Parts List		
Part Number	Description	Quantity
WS286669	WS P28R0316	1.000 EA
RA282877	RA P28R0316	1.000 EA
000613006MY	NP-RPMAC INVERTER DUTY	1.000 EA
000692000FP	NP, WARNING LIFT INSTRUCTIONS	1.000 EA
000692000LD	NP	1.000 EA
000692000VD	LABEL WARNING	1.000 EA
036170004EA	ROUND HEAD DRIVE SCREW	4.000 EA
422927001	C/D LABEL	1.000 EA
004824015A	GREASE POLYREX EM	0.300 LB
034693001AB	PPLG - G508- use 034692001AB	1.000 EA
034693001AB	PPLG - G508- use 034692001AB	1.000 EA
035000001A	ALFTG 1/8" 1610-BL	1.000 EA
035000001A	ALFTG 1/8" 1610-BL	1.000 EA
036100080JA	HSHCS M8 80MM UNPLATED	3.000 EA
036100080KA	M10-1.50X 80MM HXSOCHDCS	3.000 EA
036140001D	EYEBOLT - 360	2.000 EA
036500011AB	METRIC NUT M12-1.75 PLT.	4.000 EA
036500011AB	METRIC NUT M12-1.75 PLT.	4.000 EA
400638001G	WAVEN	1.000 EA
418150003A	GREASE FITTING CAP	2.000 EA
602018077A	DRAIN	1.000 EA
602018077A	DRAIN	1.000 EA
609830005ACE	TBOLT L2898	4.000 EA
807529002AAE	BRKT,DE,RL280	1.000 EA

Parts List (continued)		
Part Number	Description	Quantity
807529003ACB	BRKT,ODE,RL280	1.000 EA
000613006NT	NAME PLATE IEC	1.000 EA
032018004DK	HHCS,DRIP COVER	4.000 EA
032018006CK	HHCS 3/8-16X3/4L PLATED	4.000 EA
034017014AB	LCKW 3/8 STD. PLATED	4.000 EA
034017016AB	LCKW 1/2" PLATED	4.000 EA
036000012HB	HHCS M6X12MM LONG PLATED	4.000 EA
036000012JB	M8-1.25 X 12MM HXHDC	3.000 EA
036000012JB	M8-1.25 X 12MM HXHDC	4.000 EA
036000016KB	HHCSM10-1.5X16MM PLTD-280	2.000 EA
036000016KF	HHCS M10 16MM BRASS	2.000 EA
036000020JB	HHCS M8-1.25X20L PLTD-250	8.000 EA
036000025JB	HHCS M8X25MM LONG PLATED	4.000 EA
036600009AB	METRIC FLWASH M8 PLATED	3.000 EA
036620009AB	M8 EXTERNAL LK WASHER	3.000 EA
036620010AB	M10 EXT. TOOTH LK WASHER	2.000 EA
077176001A	CBOXC, PAINTED 360-400	1.000 EA
402731001A	GASK 360-440	1.000 EA
410978010C	FLANGE, INLET BLOWER HSG.	1.000 EA
410978019A	SCREEN, INLET FLANGE	1.000 EA
415000103E	T/LUG #4AWG-1/0AWG W/HOLE FOR .375 BOLT	1.000 EA
417733004AA	GASKET	2.000 EA
418018074A	GROUND LABEL G100 METRIC 160 D.C.	3.000 EA
422919360	HAND HOLE CVR KIT RL280	1.000 EA

Product Information Packet: IDDRPM281256 - 125HP,1165RPM,3PH,NAHZ,L2898,DPG-FV,FOOT

422919360	HAND HOLE CVR KIT RL280	1.000 EA
609843001AH	GASKET RL280 (HHCVR)	1.000 EA
610490001AH	.75HP,3450//2850RPM,3PH,60//50HZ,56C,351	1.000 EA
611965001A	WHEEL, BLOWER	1.000 EA
706305301A	GUARD, SHAFT	1.000 EA
706320016A	CONDUIT BOX	1.000 EA
708528004J	BLOWER HOUSING	1.000 EA
000640000P	TAG WINDING THERMOST	1.000 EA
004824007K	SPECIAL PAINT	0.100 EA
034180032HA	KEY 5/8X5/8X4 L bin stocked	1.000 EA
418018116	WARNING PLATE	1.000 EA

REL. S.O.	-	VOLTS	460	ENCLOSURE	DPFV	WYE CONN EQ CKT OHMS PER PHASE
FRAME	L2898	AMPS	151	MAX SAFE RPM	5000	(AT BASE RATING, 25 °C)
HP	125	DUTY	CONT	IM (AMPS)	48	R1 .0460 X1 .223
BASE SPEED	1165	S.F.	1.0	P.F.@NL/FL	.055/.870	R2 .0346 X2 .239
PHASE/HERTZ	3/40	AMB °C/INSUL	40/H	WK ² (LB-FT ²)	11.1	XM 5.66

RATED FULL LOAD DATA

	RPM	HP	TORQUE LB-FT	FUND VOLTS	FREQ-HZ	AMPS
BASE SPEED	1167	125	562	460	40	151
MAX SPEED	1974	125	332	460	68	157
MIN SPEED	0	0	0	21.4	1.10	151

LOAD PERFORMANCE AT BASE SPEED

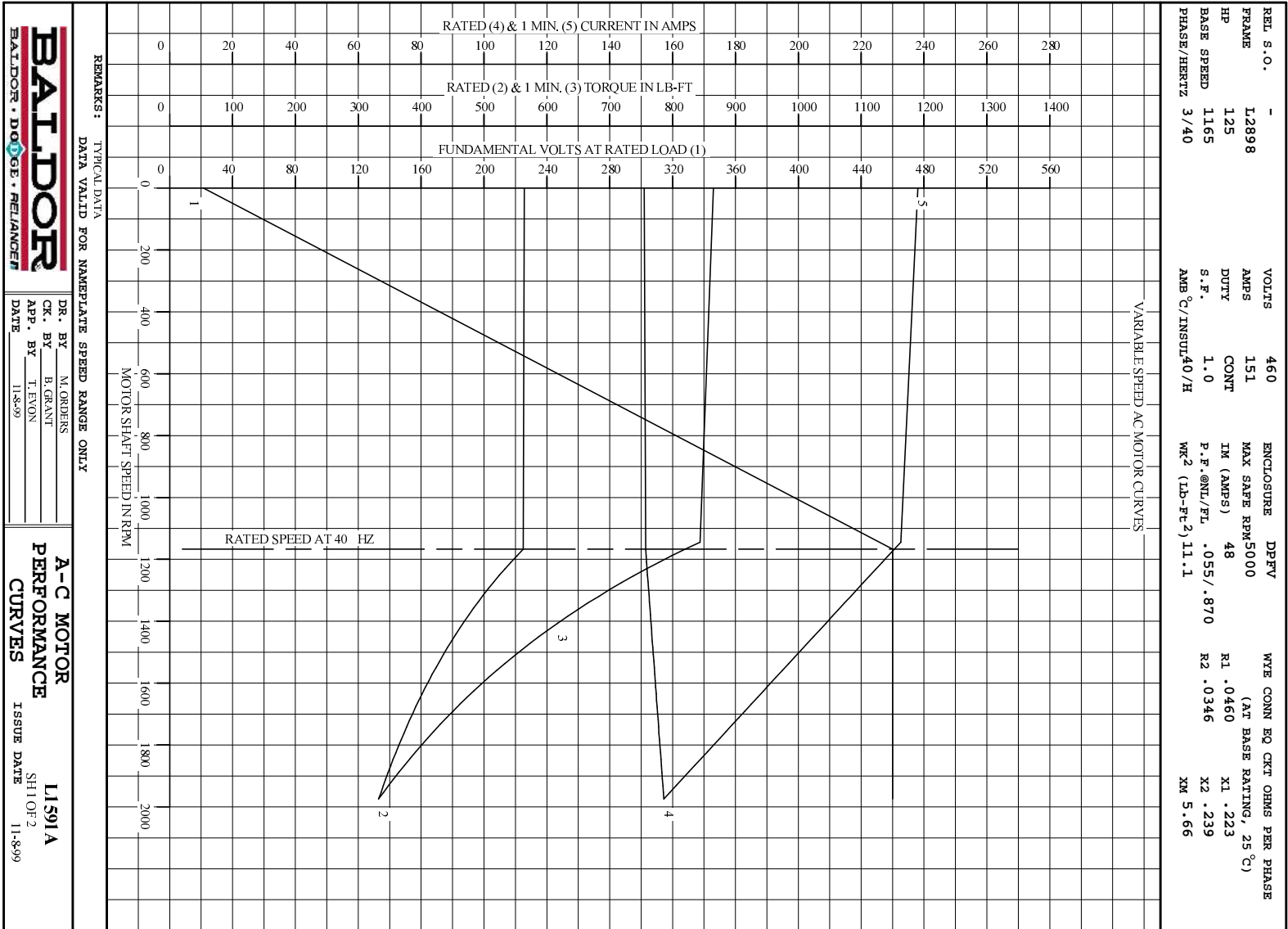
	RPM	HP	TORQUE LB-FT	FUND VOLTS	FREQ-HZ	AMPS
NO LOAD	1200	0	0	460	40	47.0
1/4	1193	31.3	138	460	40	59.2
1/2	1185	62.6	278	460	40	84.3
3/4	1177	93.7	418	460	40	115
FULL LOAD	1167	125	562	460	40	151
O/L	1144	184	844	460	40	233

**BLOWER
DATA**

VOLTS	PH/HZ	FL AMPS	LR AMPS	FRAME	CFM

REMARKS: TYPICAL DATA

	DR. BY	M. ORDERS	A-C MOTOR PERFORMANCE DATA	
	CK. BY	B. GRANT		L1591A
	APP. BY	T. EVON		ISSUE DATE
BALDOR • DOUG • RELIANCE		DATE	11-8-99	11-8-99

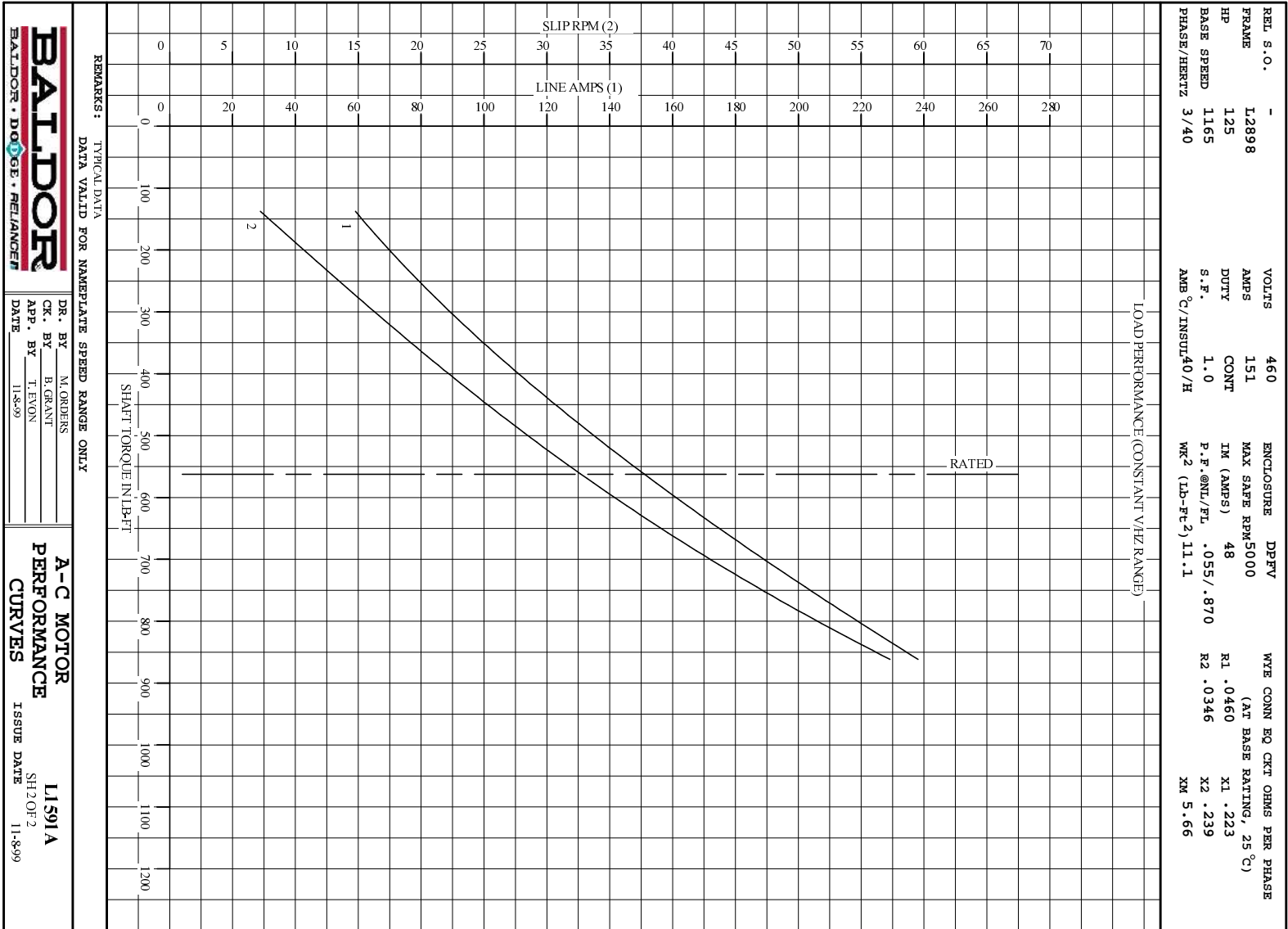


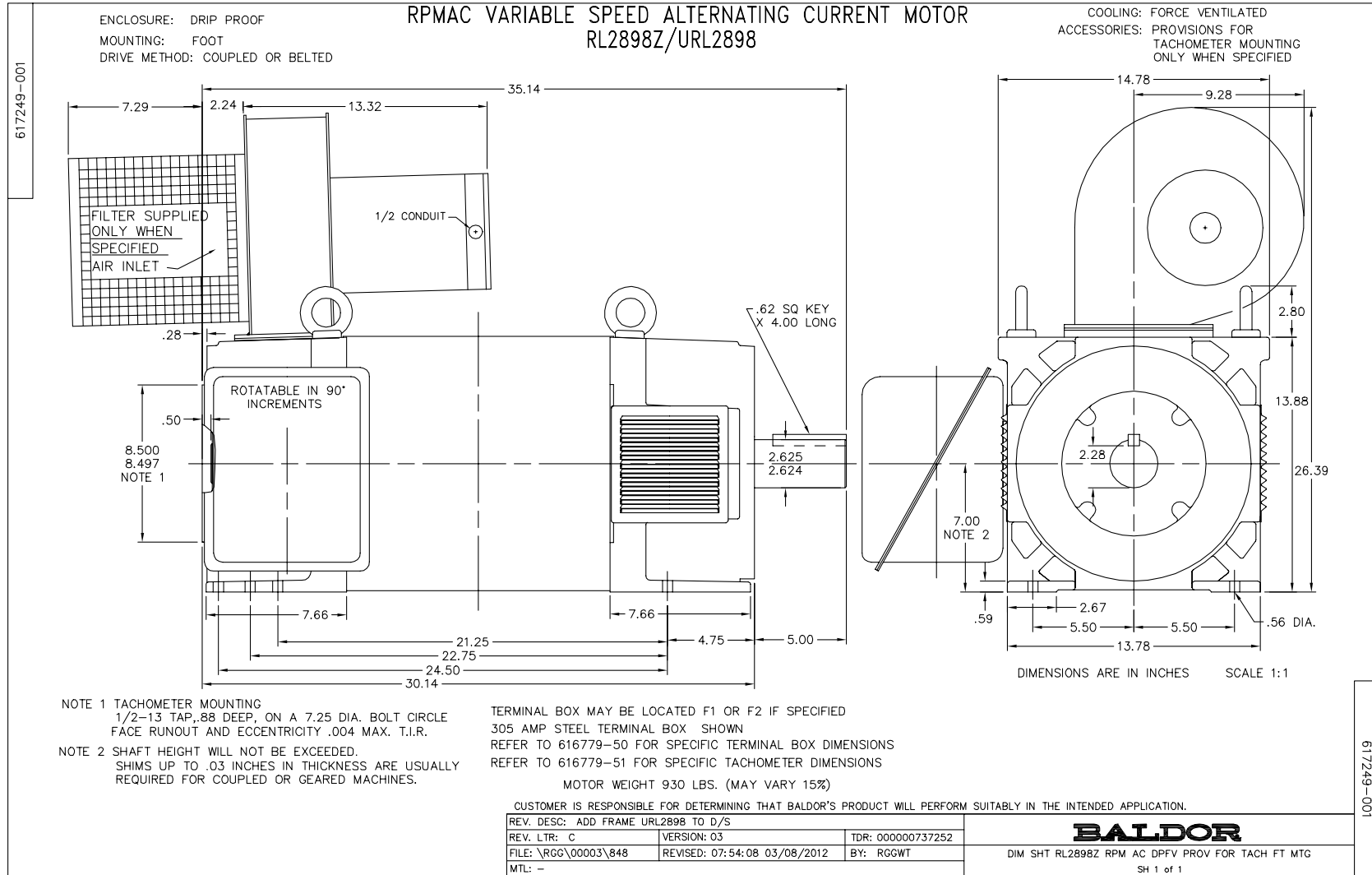
BALDOR
BALDOR • DOUGLASS • RELIANCE

DR. BY M. ORDERS
 CK. BY B. GRANT
 APP. BY T. EVON
 DATE 11-8-99

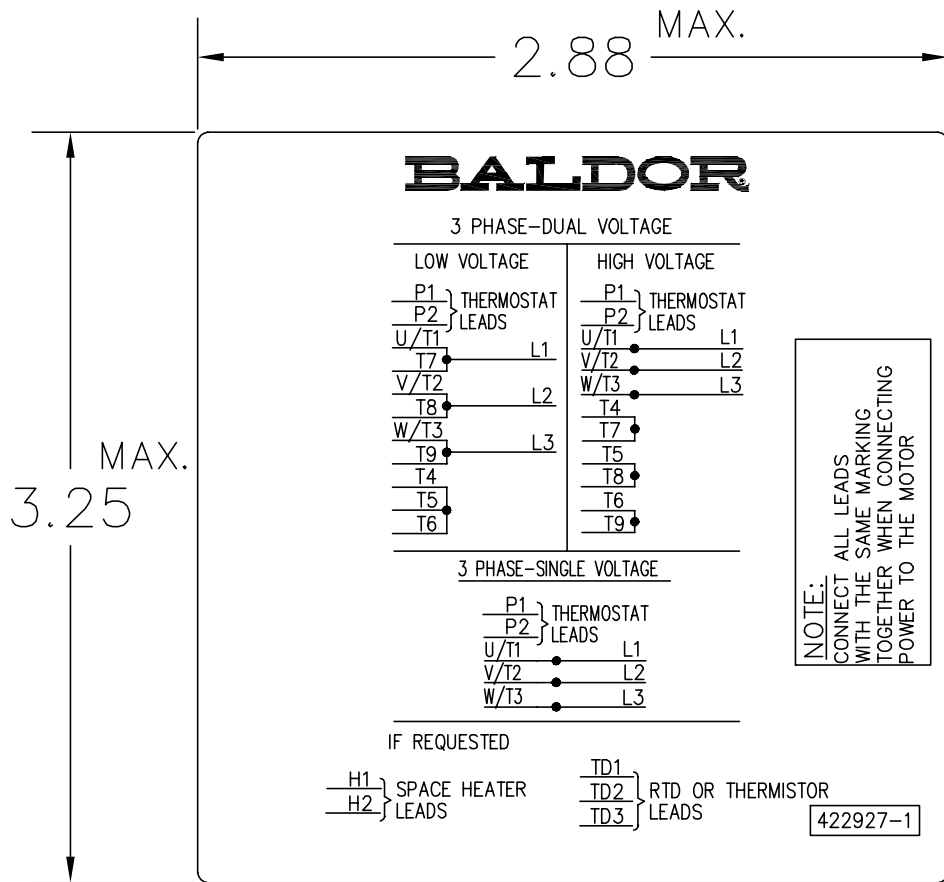
A-C MOTOR
PERFORMANCE
CURVES
 L1501A
 SH1 OF 2
 ISSUE DATE 11-8-99

1





422927-001



NOTE:
DATA TO BE SIZED
SO THAT IT FITS INTO
MATERIAL DECAL
DIMENSIONS. MAKE
LETTERS & NUMBERS
AS LARGE AS POSSIBLE.

MATERIAL: CERAMATIC DGF-P4
PERMA GRIP ADHESIVE

ALL LETTERS, NUMBERS
AND LINES TO BE BLACK
ON WHITE BACKGROUND.

422927-001

REV. DESC: CHANGE BACKGROUND COLOR FROM GOLD TO WHITE		
REV. LTR: B	VERSION: 02	TDR: 00000788708
FILE: \RGG\00000\203	REVISED: 08:09:29 03/04/2013	
MTL: -	BY: RGGWT	

BALDOR

EXTERNAL CONNECTION LABEL

SH 1 of 1

Marketing maintained PDF of MN406:

<http://www.baldor.com/support/Literature/Load.ashx/MN406?ManNumber=MN406>