

BALDOR® • RELIANCE

Product Information Packet

L3712T

10HP,1740RPM,1PH,60HZ,215T,3748LC,TEFC,F

Part Detail							
Revision:	M	Status:	PRD/A	Change #:		Proprietary:	No
Type:	AC	Prod. Type:	3748LC	Elec. Spec:	37WGT875	CD Diagram:	CD1084
Enclosure:	TEFC	Mfg Plant:		Mech. Spec:	37M293	Layout:	37LYM293
Frame:	215T	Mounting:	F1	Poles:	04	Created Date:	01-07-2010
Base:	RG	Rotation:	R	Insulation:	F	Eff. Date:	08-10-2016
Leads:	2#10 A PH,2#14 B PH					Replaced By:	
Literature:		Elec. Diagram:					

Nameplate NP1256L										
CAT.NO.	L3712T									
SPEC.	37M293T875									
HP	10									
VOLTS	230									
AMP	38									
RPM	1740									
FRAME	215T				HZ	60			PH	1
SER.F.	1.00			CODE	F	DES	L		CLASS	F
NEMA-NOM-EFF	86.5			PF	98					
RATING	40C AMB-CONT									
CC	USABLE AT 208V									
DE	6307				ODE	6206				
ENCL	TEFC			SN						

Parts List		
Part Number	Description	Quantity
SA189560	SA 37M293T875	1.000 EA
RA177270	RA 37M293T875	1.000 EA
OC3050F09SP	CYL OIL CAP 50MFD/370V	2.000 EA
RE5029	MARS 91423 DOUBLE POLE 230-240V CONTACTO	1.000 EA
EC1216C06SP	ELEC CAP, 216-259 MFD, 250V, 2.06D X 4.	4.000 EA
37FN3002A01SP	EXFN, PLASTIC, 9.00 OD, 1.155 ID	1.000 EA
HW3200A01	3/8-16X3/4 I-BLT WELDED F/S	1.000 EA
37EP3101A01	FR ENDPLATE, FOR ROUTING PURPOSES	1.000 EA
HW4500A01	1641B(ALEMITE)400 UNIV, GREASE FITT	1.000 EA
13XF0832A08	8-32 X.50 PAN HD,SLTD, TYPE F SCREW, ZIN	2.000 EA
37CB3804A42	CAPAC. BOX 37 MOTORS FOR 6-7 CAPAC. W/RE	1.000 EA
37CB2804	ADAPTER, 37 KO BOX (SHOE BOX)	2.000 EA
37GS1017	GASKET - CONDUT BOX .06 THK NEOPRENE	4.000 EA
19XW2520A16	SCREW,1/4-20X1 TAPTITE-II OR ROLOC 91	4.000 EA
11XW1032G06	10-32 X .38, TAPTITE II, HEX WSHR SLTD U	1.000 EA
HW3001B01	BRASS CUP WASHER, FOR #8 SCREW	1.000 EA
HA6003A47	CAPAC CLAMP	1.000 EA
HA6003A45	CAPAC CLAMP - CLIP (WHITE ZINC PLATED)	2.000 EA
51XB1016A07	10-16 X 7/16 HXWSSLD SERTYB	4.000 EA
51XF2520A08	SCREW, HEX SER SLT HD, ZN 1/4-20 X .50 L	2.000 EA
HW5100A06	W2420-025 WVY WSHR (WB)	1.000 EA
37PE3100A01	PUEP ASSEMBLY - ROUTING PUPROSES	1.000 EA
HW4500A01	1641B(ALEMITE)400 UNIV, GREASE FITT	1.000 EA
XY3118A12	5/16-18 HEX NUT DIRECTIONAL SERRATION	4.000 EA

Parts List (continued)		
Part Number	Description	Quantity
51XB1214A20	12-14X1.25 HXWSSLD SERTYB	1.000 EA
07FH4007A06	IEC FH W/GRS, NOT @6, 3 F/C HOL & NOT FO	1.000 EA
51XW1032A06	10-32 X .38, TAPTITE II, HEX WSHR SLTD S	3.000 EA
37CB4509	CAPAC BOX LID, STAMPED	1.000 EA
37GS3016	GASKET, CAPAC BOX LID	1.000 EA
51XW0832A07	8-32 X .44, TAPTITE II, HEX WSHR SLTD SE	6.000 EA
85XU0407S04	4X1/4 U DRIVE PIN STAINLESS	2.000 EA
HW2501F21	KEY, 5/16 SQ X 2.375	1.000 EA
HA7000A02	KEY RETAINER RING, 1 1/8 DIA, 1 3/8 DIA	1.000 EA
LB1115N	LABEL,LIFTING DEVICE (ON ROLLS)	1.000 EA
MJ1000A02	GREASE, POLYREX EM EXXON (USe 4824-15A)	0.050 LB
MG1000G27	MED CHARCOAL METALLIC GREY 400-0096	0.028 GA
WD1000A15	3-520132-2 AMP FLAG (4M/RL NON-CANC/NON-	12.000 EA
HA3104A25	THRUBOLT .31-18 X 14.75	4.000 EA
SP5172A06	37 TYPE L TORQ STAT SWITCH LEAD ASSEMBLY	1.000 EA
NS2539	INSULATOR FOR 37 FRAMESWITCH (MH1011A10)	1.000 EA
LB1119N	WARNING LABEL	1.000 EA
LC0017	CONN LABEL-1 PHASE-SINGLE VOLT-REV ROTNO	1.000 EA
NP1256L	ALUM UL CSA CC	1.000 EA
37PA1039	PALLET PACK GRP, PRINT PK1026A06	1.000 EA
MN416A01	TAG-INSTAL-MAINT no wire (1200/bx) 11/14	1.000 EA

AC Induction Motor Performance Data

Record # 37141 - Typical performance - not guaranteed values

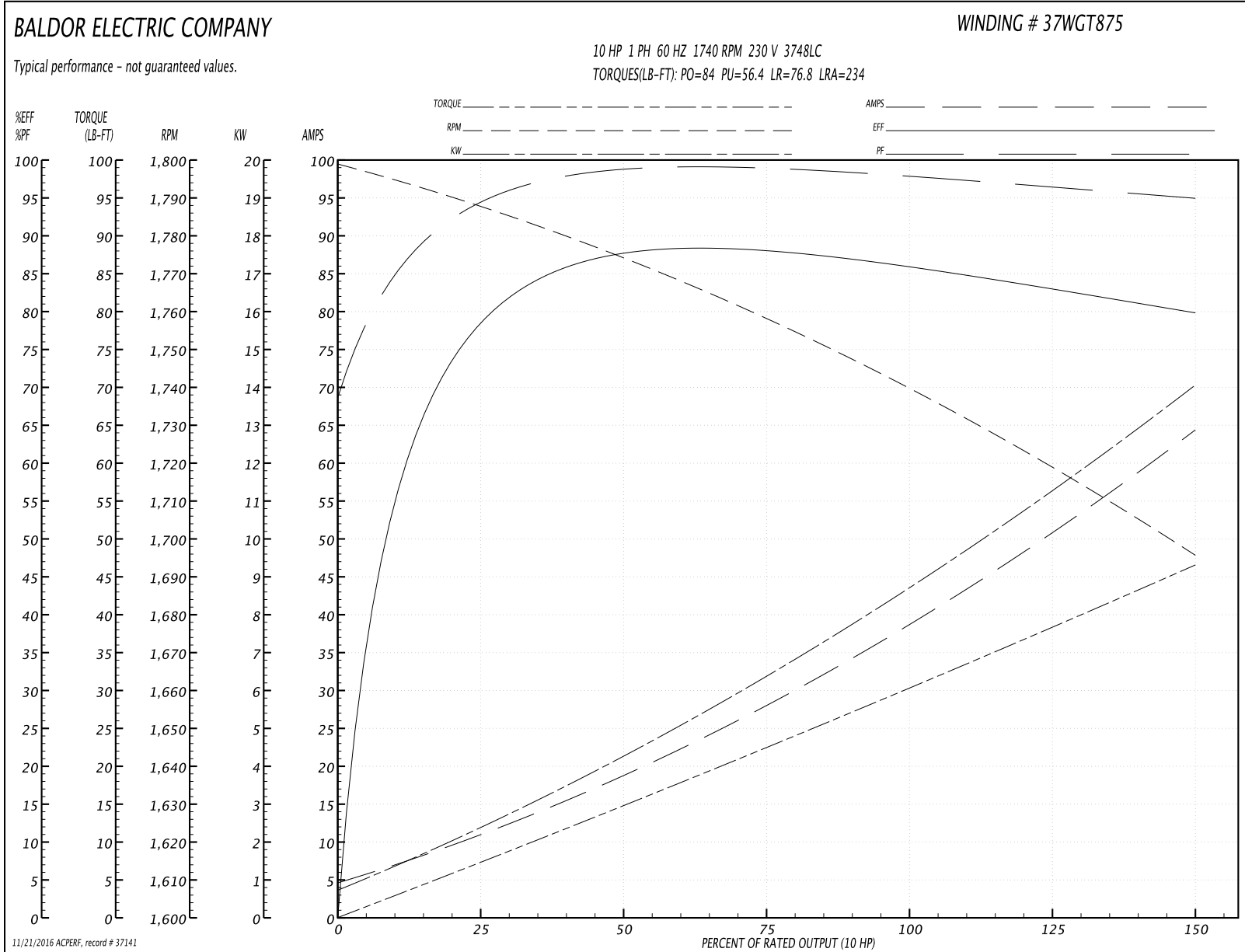
Winding: 37WGT875-R001	Type: 3748LC	Enclosure: TEFC
-------------------------------	---------------------	------------------------

Nameplate Data				230 V, 60 Hz: Single Voltage Motor	
Rated Output (HP)	10			Full Load Torque	29.8 LB-FT
Volts	230			Start Configuration	direct on line
Full Load Amps	38			Breakdown Torque	84 LB-FT
R.P.M.	1740			Pull-up Torque	56.4 LB-FT
Hz	60	Phase	1	Locked-rotor Torque	76.8 LB-FT
NEMA Design Code	L	KVA Code	F	Starting Current	234 A
Service Factor (S.F.)	1			No-load Current	4.37 A
NEMA Nom. Eff.	86.5	Power Factor	98	Line-line Res. @ 25°C	0.17 Ω A Ph 0.488 Ω B Ph
Rating - Duty	40C AMB-CONT			Temp. Rise @ Rated Load	96°C

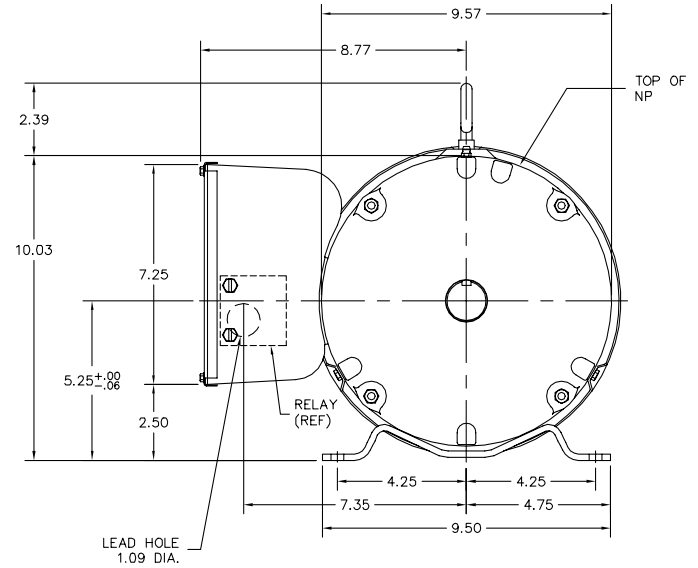
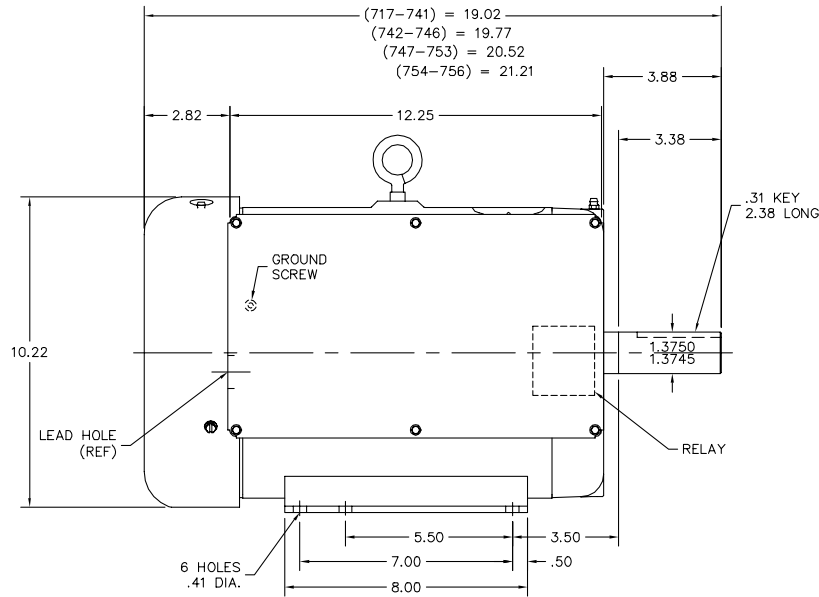
Load Characteristics 230 V, 60 Hz, 10 HP

% of Rated Load	25	50	75	100	125	150
Power Factor	96	98	98	98	97	95
Efficiency	75.4	86.2	87.7	86.8	84.1	79.4
Speed	1788	1775	1759	1741	1720	1696
Line amperes	10.7	18.9	28	37.7	49.1	64.9

Performance Graph at 230V, 60Hz, 10.0HP Typical performance - Not guaranteed values



37LYM293



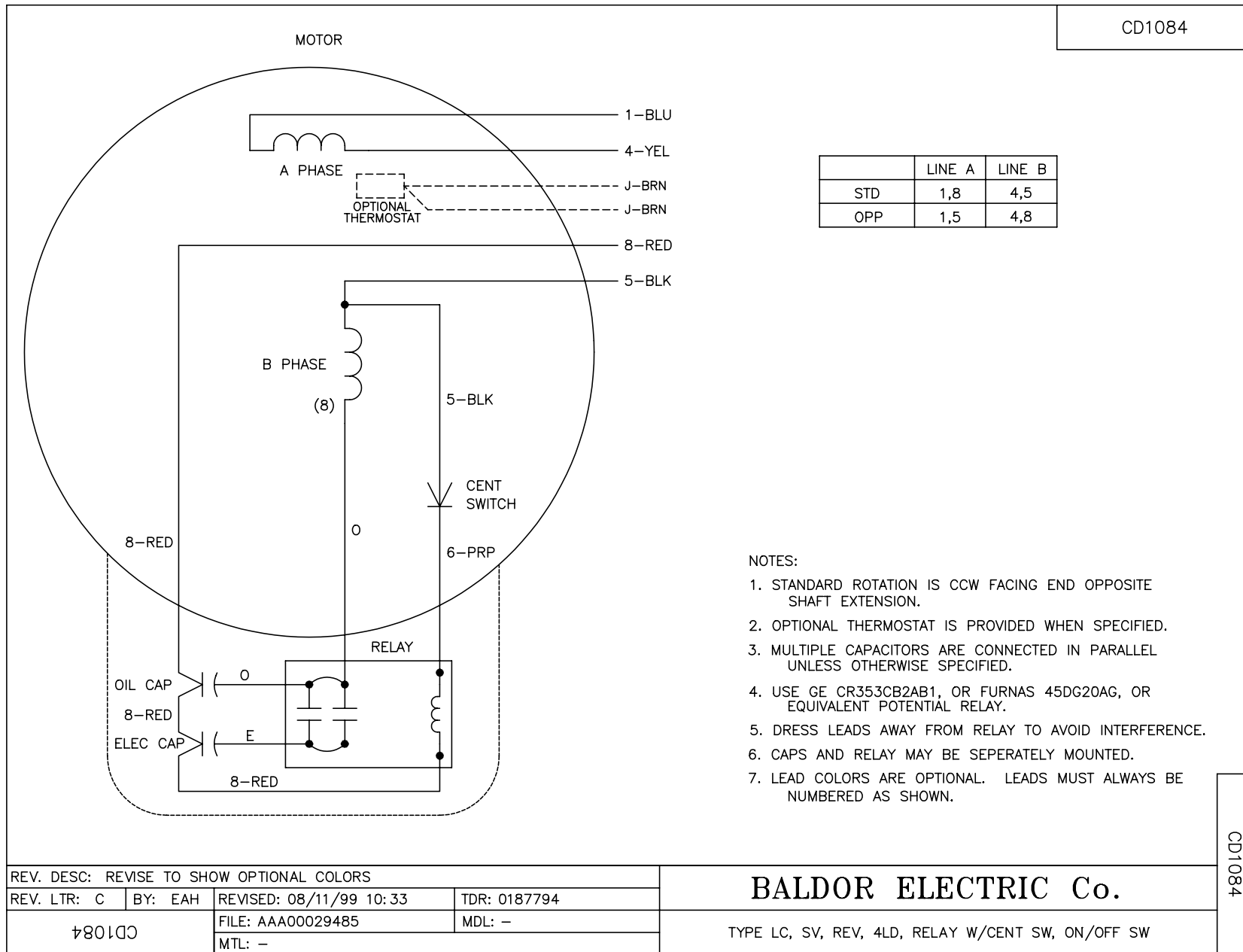
37LYM293

CUSTOMER IS RESPONSIBLE FOR DETERMINING THAT BALDOR'S PRODUCT WILL PERFORM SUITABLY IN THE INTENDED APPLICATION.

REV. DESC: NEW	VERSION: 00	TDR: 000000523997
REV. LTR: -	REVISED: 10:09:18 01/07/2010	BY: ENJOSRO
FILE: \AAA\00168\658		
MTL: -		

BALDOR • DODGE • RELIANCE
 HOR 213-5T TEFC LC 37CB3804,RELAY,FINNED ENDRING,TORQ SWITCH
 SH 1 of 1

CD1084



REV. DESC: REVISE TO SHOW OPTIONAL COLORS			
REV. LTR: C	BY: EAH	REVISED: 08/11/99 10:33	TDR: 0187794
†8010C		FILE: AAA00029485	MDL: -
		MTL: -	

BALDOR ELECTRIC Co.

TYPE LC, SV, REV, 4LD, RELAY W/CENT SW, ON/OFF SW

CD1084