

BALDOR® • RELIANCE

Product Information Packet

L5023A

1HP,1725RPM,1PH,60HZ,56,X3524L,XPFC,F1

| Part Detail | | | | | | | |
|-------------|------------------------------|----------------|-------|-------------|----------|---------------|------------|
| Revision: | AB | Status: | PRD/A | Change #: | | Proprietary: | No |
| Type: | AC | Prod. Type: | 3524L | Elec. Spec: | 35WGY190 | CD Diagram: | CD0008 |
| Enclosure: | XPFC | Mfg Plant: | | Mech. Spec: | 35G485 | Layout: | 35LYG485 |
| Frame: | 56 | Mounting: | F1 | Poles: | 04 | Created Date: | |
| Base: | RG | Rotation: | R | Insulation: | B | Eff. Date: | 07-22-2015 |
| Leads: | 3#16 A PH,3#18 B&J,1#14 #4TH | | | | | Replaced By: | |
| Literature: | | Elec. Diagram: | | | | | |

| Nameplate NP2204XPSL | | | | | |
|----------------------|----------------------|--------------|----------------------|----------------------|----------------------|
| NO. | <input type="text"/> | CC | <input type="text"/> | | |
| SER. | <input type="text"/> | | | | |
| SPEC. | 35G485Y190G1 | | | | |
| CAT.NO. | L5023A | | | | |
| HP | 1 | T. CODE | T2C | | |
| VOLTS | 115/230 | | | | |
| AMPS | 13/6.5 | | | | |
| RPM | 1725 | | | | |
| HZ | 60 | PH | 1 | CL | B |
| SER.F. | 1.00 | DES | L | CODE | K |
| RATING | 40C AMB-CONT | | | | |
| FRAME | 56 | NEMA-NOM-EFF | | 67 | <input type="text"/> |
| USABLE AT 208V | PF | | 73 | <input type="text"/> | |
| BLANK | <input type="text"/> | | | | |

| Parts List | | |
|---------------|--|----------|
| Part Number | Description | Quantity |
| SA025073 | SA 35G485Y190G1 | 1.000 EA |
| RA021123 | RA 35G485Y190G1 | 1.000 EA |
| TPMRJ22RX | THERMAL 1PH 0.75 AUT 120C | 1.000 EA |
| EC1324A02 | ELEC CAP, 324-389 MFD, 125V, 1.48D X 3. | 2.000 EA |
| 35CB3001A01SP | EXPL CONDUIT BOX, MACH, 1/2" PIPE TAP LE | 1.000 EA |
| 11XW1032G06 | 10-32 X .38, TAPTITE II, HEX WSHR SLTD U | 1.000 EA |
| HW3001B01 | BRASS CUP WASHER, FOR #8 SCREW | 1.000 EA |
| 35EP3700A01SP | FR ENDPLATE, XPFC | 1.000 EA |
| 51XW0832A07 | 8-32 X .44, TAPTITE II, HEX WSHR SLTD SE | 2.000 EA |
| HW5100A03SP | WAVY WASHER (W1543-017) | 1.000 EA |
| 35EP3701A01 | PU ENDPLATE, XPFC - 205 BRG | 1.000 EA |
| XY3118A12 | 5/16-18 HEX NUT DIRECTIONAL SERRATION | 4.000 EA |
| 35FN3002A05 | EXFN, PLASTIC, 6.376 OD, .638 ID | 1.000 EA |
| 51XB1214A16 | 12-14X1.00 HXWSSLD SERTYB | 1.000 EA |
| 51XW1032A06 | 10-32 X .38, TAPTITE II, HEX WSHR SLTD S | 3.000 EA |
| 35CB3500A01SP | CONDUIT BOX LID, MACH | 1.000 EA |
| 51XN2520A16 | SCREW, HEX WS SLT, ZN, 1/4-20 X 1.00 | 4.000 EA |
| HW2501D13 | KEY, 3/16 SQ X 1.375 | 1.000 EA |
| HA7000A04 | KEY RETAINER 0.625 DIA SHAFTS | 1.000 EA |
| 85XU0407S04 | 4X1/4 U DRIVE PIN STAINLESS | 6.000 EA |
| NP0018F | ALUM UL XP CONDUIT BOX NAMEPLATE | 1.000 EA |
| LB1011 | LABEL XPROOF MTR W/ATO | 1.000 EA |
| HA6003A52 | CLAMP, CAPACITOR, WHITE ZINC PLATED | 2.000 EA |
| 51XW0832A07 | 8-32 X .44, TAPTITE II, HEX WSHR SLTD SE | 2.000 EA |

| Parts List (continued) | | |
|-------------------------------|--|-----------------|
| Part Number | Description | Quantity |
| MJ1000A02 | GREASE, POLYREX EM EXXON (USe 4824-15A) | 0.050 LB |
| 35FH4005A01SP | IEC FH NO GREASER W/PRIMED | 1.000 EA |
| MG1025G29 | WILKOFASST, 789.229, DARK CHARCOAL GRAY | 0.017 GA |
| HA3104A08 | THRUBOLT-5/16-18X9.375 X X | 4.000 EA |
| SP5051A64 | MODEL 35 TORQ STATIONARY SWITCH FOR XP | 1.000 EA |
| HA6001A01 | THERMAL RETAINER (PLATED) | 1.000 EA |
| 12XF0632A06 | 6-32X3/8 TY F HEX HD SLT | 2.000 EA |
| LB1118 | LABEL,WARNING (ROLL LABEL) | 1.000 EA |
| LC0008 | CONNECTION LABEL | 1.000 EA |
| NP2204XPSL | SS XP UL CSA CC CL-I GP-D THERMAL | 1.000 EA |
| 36PA1000 | PKG GRP, PRINT PK1016A06 | 1.000 EA |
| MN416A01 | TAG-INSTAL-MAINT no wire (1200/bx) 11/14 | 1.000 EA |

AC Induction Motor Performance Data

Record # 16853 - Typical performance - not guaranteed values

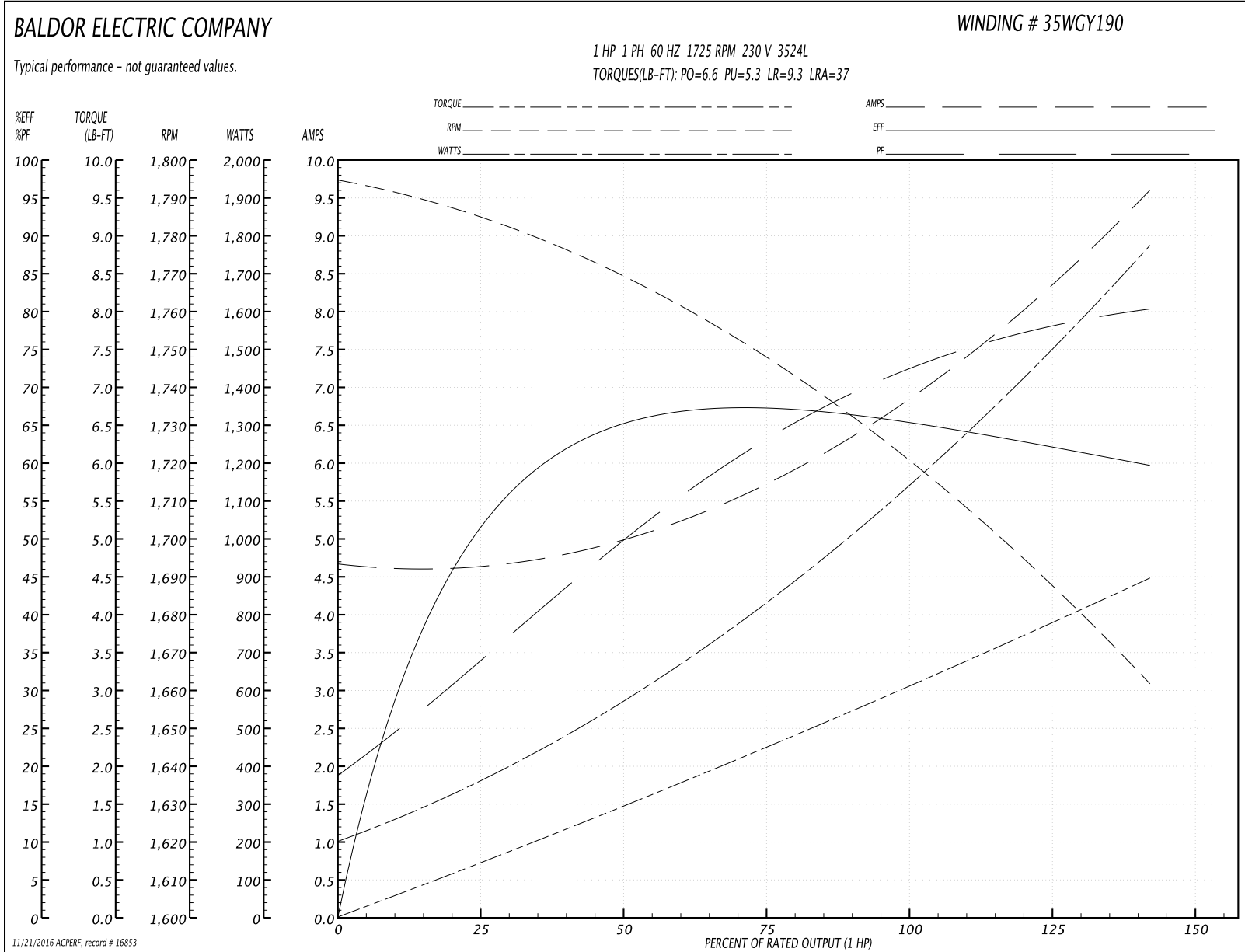
| | | |
|-------------------------------|--------------------|------------------------|
| Winding: 35WGY190-R002 | Type: 3524L | Enclosure: XPFC |
|-------------------------------|--------------------|------------------------|

| Nameplate Data | | | | 230 V, 60 Hz: High Voltage Connection | |
|-----------------------|--------------|--------------|----|--|----------------------------|
| Rated Output (HP) | 1 | | | Full Load Torque | 3 LB-FT |
| Volts | 115/230 | | | Start Configuration | direct on line |
| Full Load Amps | 13/6.5 | | | Breakdown Torque | 6.6 LB-FT |
| R.P.M. | 1725 | | | Pull-up Torque | 5.3 LB-FT |
| Hz | 60 | Phase | 1 | Locked-rotor Torque | 9.3 LB-FT |
| NEMA Design Code | L | KVA Code | K | Starting Current | 37 A |
| Service Factor (S.F.) | 1 | | | No-load Current | 4.6 A |
| NEMA Nom. Eff. | 67 | Power Factor | 73 | Line-line Res. @ 25°C | 2.76 Ω A Ph 1.86 Ω B Ph |
| Rating - Duty | 40C AMB-CONT | | | Temp. Rise @ Rated Load | 76°C |

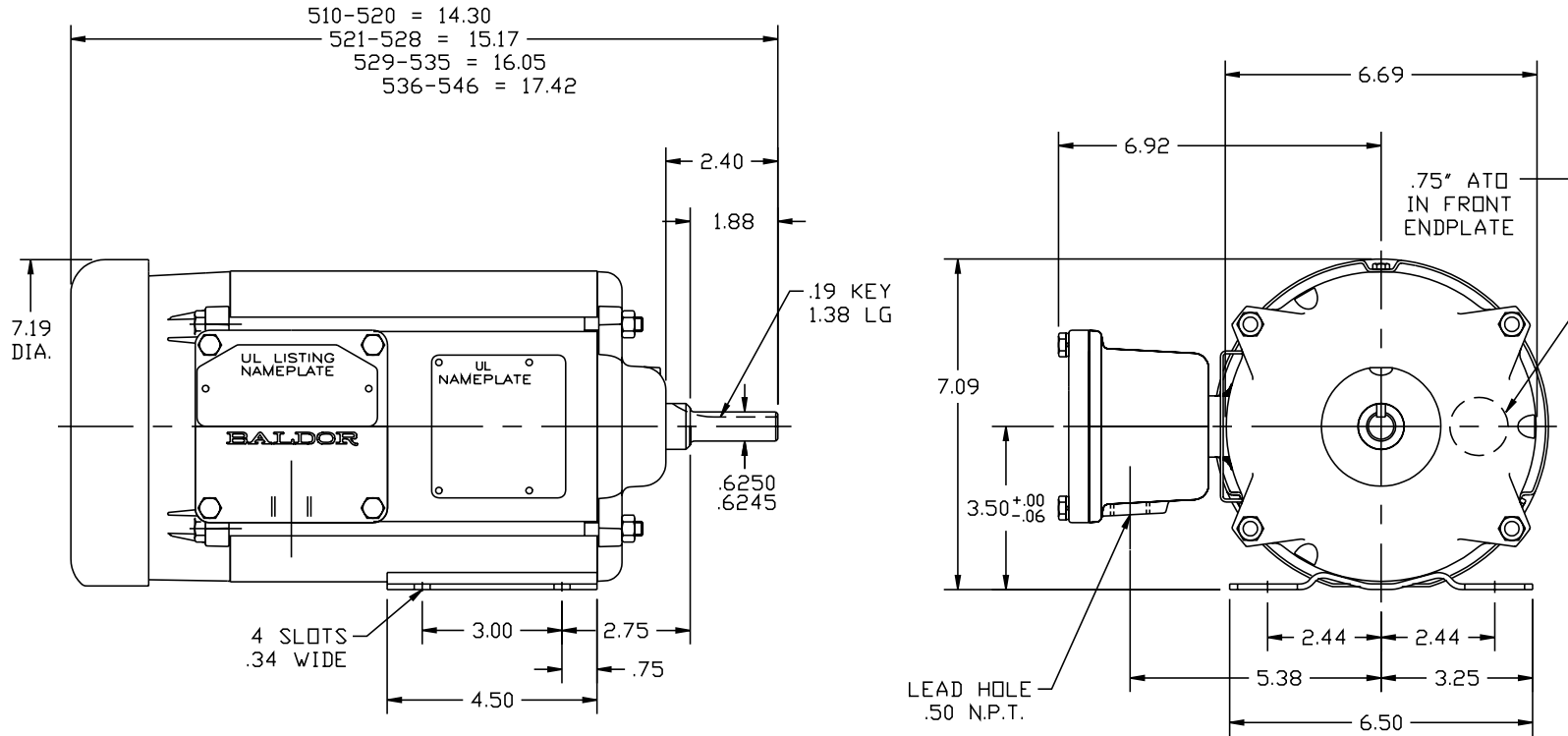
Load Characteristics 230 V, 60 Hz, 1 HP

| % of Rated Load | 25 | 50 | 75 | 100 | 125 | 150 |
|-----------------|------|------|------|------|------|------|
| Power Factor | 37 | 53 | 65 | 73 | 78 | 82 |
| Efficiency | 51.1 | 63 | 66.8 | 66.6 | 63.9 | 58.9 |
| Speed | 1781 | 1766 | 1749 | 1725 | 1697 | 1658 |
| Line amperes | 4.7 | 5.1 | 5.7 | 6.7 | 8 | 9.7 |

Performance Graph at 230V, 60Hz, 1.0HP Typical performance - Not guaranteed values



35G485

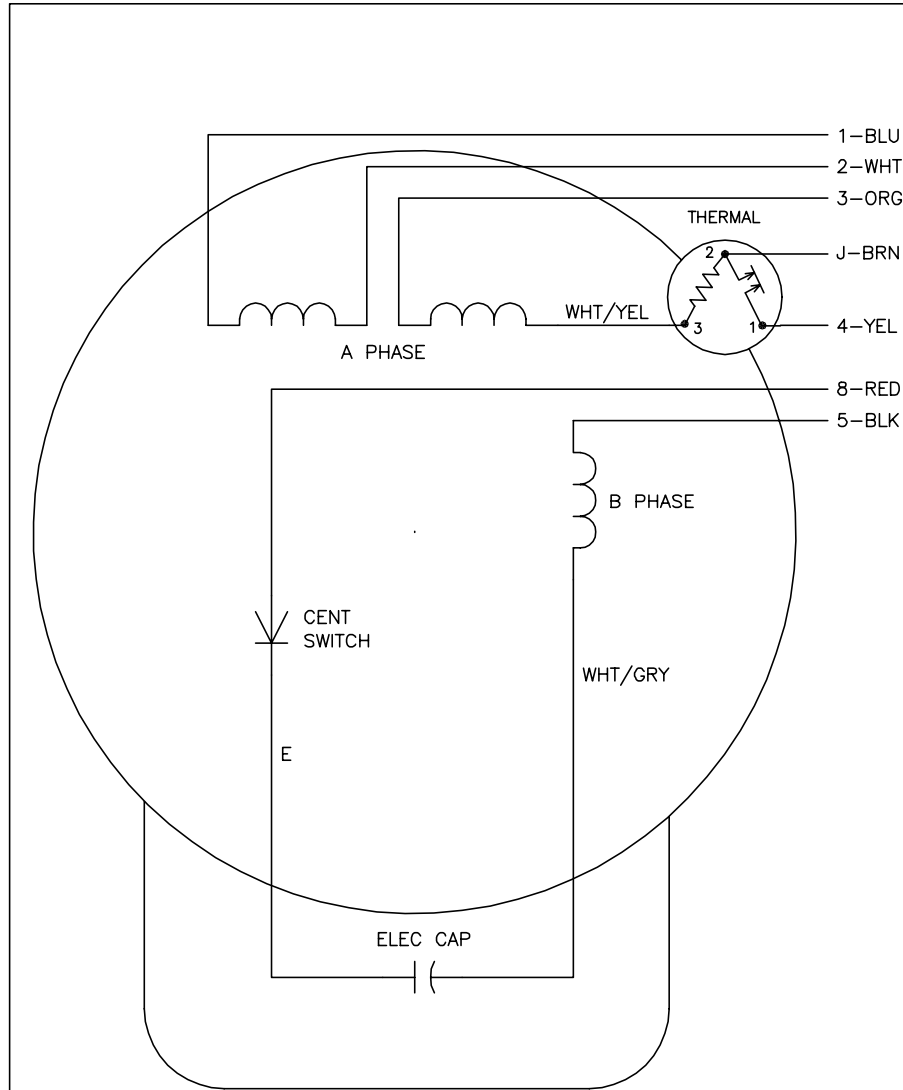


UL CLASS I - GROUP D

| | | | | | | | | | | | |
|------------|--|-------------------------------|--|--------------|--|-------------------|--|---|--|------|--|
| CUST. NAME | | CUST. P.O. | | CERTIFIED BY | | MODEL | | INSUL | | AMB | |
| H.P. | | MTG | | TYPE | | R.P.M. | | VOLTS | | ENCL | |
| PHASE | | FREQ | | FRAME | | REMARKS: | | | | | |
| REV: D | | ADDED .75" ATO IN DESCRIPTION | | | | | | | | | |
| 35G485 | | SCALE: .3 | | BY: KWS | | REVISED: 05/22/95 | | <h2>BALDOR ELECTRIC Co.</h2> <p>STD HORZ NEMA 56 TEFC X35L CL I - GP D W/.75" ATO</p> | | | |
| | | FILE: AAA00005596 | | TDR: 0074840 | | | | | | | |

35G485

CD0008



| | LINE A | LINE B | JOIN | JOIN |
|----------|--------|--------|-------|-------|
| HIGH STD | 1 | 4 | 2,3,8 | J,5 |
| HIGH OPP | 1 | 4 | 2,3,5 | J,8 |
| LOW STD | 1,3,8 | 4 | - | 2,J,5 |
| LOW OPP | 1,3,5 | 4 | - | 2,J,8 |

NOTES:

1. STANDARD ROTATION IS CCW FACING END OPPOSITE SHAFT EXTENSION.
2. MULTIPLE CAPACITORS ARE CONNECTED IN PARALLEL UNLESS OTHERWISE SPECIFIED.
3. LEAD COLORS ARE OPTIONAL. LEADS MUST ALWAYS BE NUMBERED AS SHOWN.

| | | |
|--|----------------------|------------------------------|
| REV. DESC: REMOVE 2-TERMINAL THERMAL DETAIL, SEE CD0008A02 | | |
| REV. LTR: F | VERSION: 01 | TDR: 000000360649 |
| 80000D | FILE: \AAA\00007\408 | REVISED: 10:56:54 04/18/2005 |
| | MTL: - | BY: ENJOEPO |

BALDOR ELECTRIC Co.

TYPE L, DV, REV, THERMAL, 7 LEADS

CD0008