

BALDOR® • **RELIANCE**

Product Information Packet

VEJMM3558T-5

2HP, 1755RPM, 3PH, 60HZ, 145JM, 3528M, TEFC, F1

Part Detail							
Revision:	A	Status:	PRD/A	Change #:		Proprietary:	No
Type:	AC	Prod. Type:	3528M	Elec. Spec:	35WGN956	CD Diagram:	CD0006
Enclosure:	TEFC	Mfg Plant:		Mech. Spec:	35M317	Layout:	35LYM317
Frame:	145JM	Mounting:	F1	Poles:	04	Created Date:	08-14-2015
Base:	N	Rotation:	R	Insulation:	F	Eff. Date:	10-16-2015
Leads:	3#18					Replaced By:	
Literature:		Elec. Diagram:					

Nameplate NP3441L										
CAT.NO.	VEJMM3558T-5									
SPEC.	35M317N956G1									
HP	2									
VOLTS	575									
AMP	2.3									
RPM	1755									
FRAME	145JM			HZ	60				PH	3
SER.F.	1.15		CODE	L		DES	B		CL	F
NEMA-NOM-EFF	86.5		PF	75						
RATING	40C AMB-CONT									
CC	010A					USABLE AT 208V				
DE	6206			ODE	6203					
ENCL	TEFC		SN							
VPWM INVERTER READY										
CT6-60H(10:1)VT3-60H(20:1)										

Parts List		
Part Number	Description	Quantity
SA305737	SA 35M317N956G1	1.000 EA
RA292966	RA 35M317N956G1	1.000 EA
34FN3002B01	EXTERNAL FAN, PLASTIC, .637/.639 HUB W/	1.000 EA
NS2512A01	INSULATOR, CONDUIT BOX X	1.000 EA
35CB3000SP	CONDUIT BOX, CAST, W/.88 DIA. LEAD HOLE	1.000 EA
36GS1000	GASKET-CONDUIT BOX, .06 THICK #SV-330 LE	1.000 EA
51XB1016A07	10-16 X 7/16 HXWSSLD SERTYB	2.000 EA
11XW1032G06	10-32 X .38, TAPTITE II, HEX WSHR SLTD U	1.000 EA
HW3001B01	BRASS CUP WASHER, FOR #8 SCREW	1.000 EA
35EP3100M07	FREP TEFC 203BRG,GRSR,RLF(RAISED FH PADS	1.000 EA
HW4500A01	1641B(ALEMITE)400 UNIV, GREASE FITT	1.000 EA
HW4500A17	317400 ALEMITE GREASE RELIEF	1.000 EA
HW5100A03SP	WAVY WASHER (W1543-017)	1.000 EA
35EP3401T05	FACE ENCL 206 BRG W/GRS, RELIEF & TGHSLV	1.000 EA
HW4500A01	1641B(ALEMITE)400 UNIV, GREASE FITT	1.000 EA
HW4500A17	317400 ALEMITE GREASE RELIEF	1.000 EA
51XN1032A20	10-32 X 1 1/4 HX WS SL SR	2.000 EA
51XB1214A16	12-14X1.00 HXWSSLD SERTYB	1.000 EA
35FH4005A86	IEC FH W/GRSR, NO DIMPLES W/PRIMER	1.000 EA
51XW1032A06	10-32 X .38, TAPTITE II, HEX WSHR SLTD S	3.000 EA
HA1005A02	SLINGER, OD 2.00, ID 1.14, 206 BRG,	1.000 EA
35CB4514GX	CONDUIT BOX LID KIT	1.000 EA
51XW0832A07	8-32 X .44, TAPTITE II, HEX WSHR SLTD SE	4.000 EA
HW2501D13	KEY, 3/16 SQ X 1.375	1.000 EA

Parts List (continued)		
Part Number	Description	Quantity
HA7000A01	KEY RETAINER 7/8" DIA SHAFT	1.000 EA
85XU0407S04	4X1/4 U DRIVE PIN STAINLESS	2.000 EA
MJ1000A02	GREASE, POLYREX EM EXXON (USe 4824-15A)	0.050 LB
MG1000Y03	MUNSELL 2.53Y 6.70/ 4.60, GLOSS 20,	0.017 GA
HA3100A15	THRUBOLT 10-32 X 8.375	4.000 EA
LB1119N	WARNING LABEL	1.000 EA
LC0006	CONNECTION LABEL	1.000 EA
NP3441L	ALUM SUPER-E VPWM INVERTER READY UL	1.000 EA
36PA1001	PKG GRP, PRINT PK1017A06	1.000 EA
PK3082	STYROFOAM CRADLE	1.000 EA
MN416A01	TAG-INSTAL-MAINT no wire (1200/bx) 11/14	1.000 EA

AC Induction Motor Performance Data

Record # 42575 - Typical performance - not guaranteed values

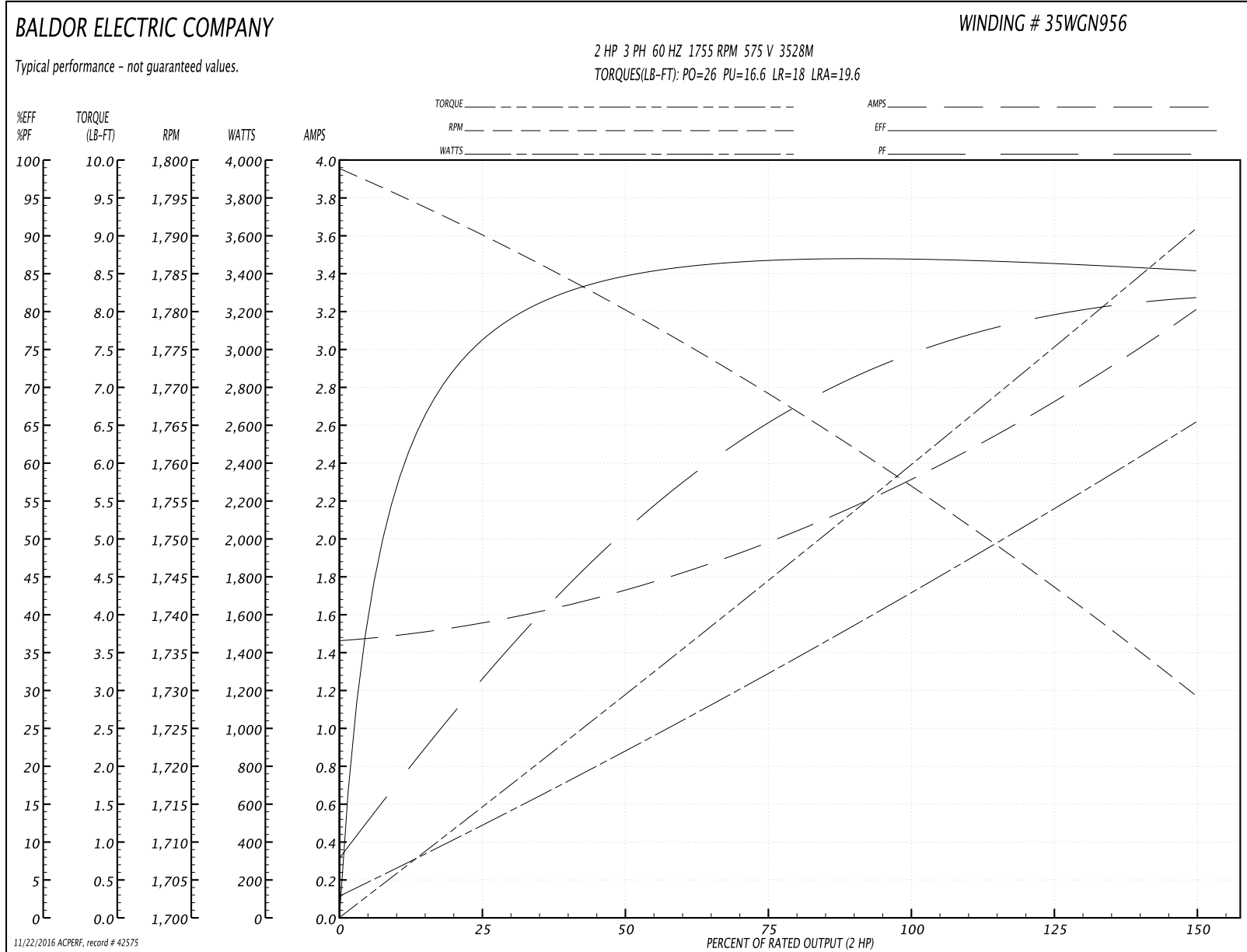
Winding: 35WGN956-R001	Type: 3528M	Enclosure: TEFC
-------------------------------	--------------------	------------------------

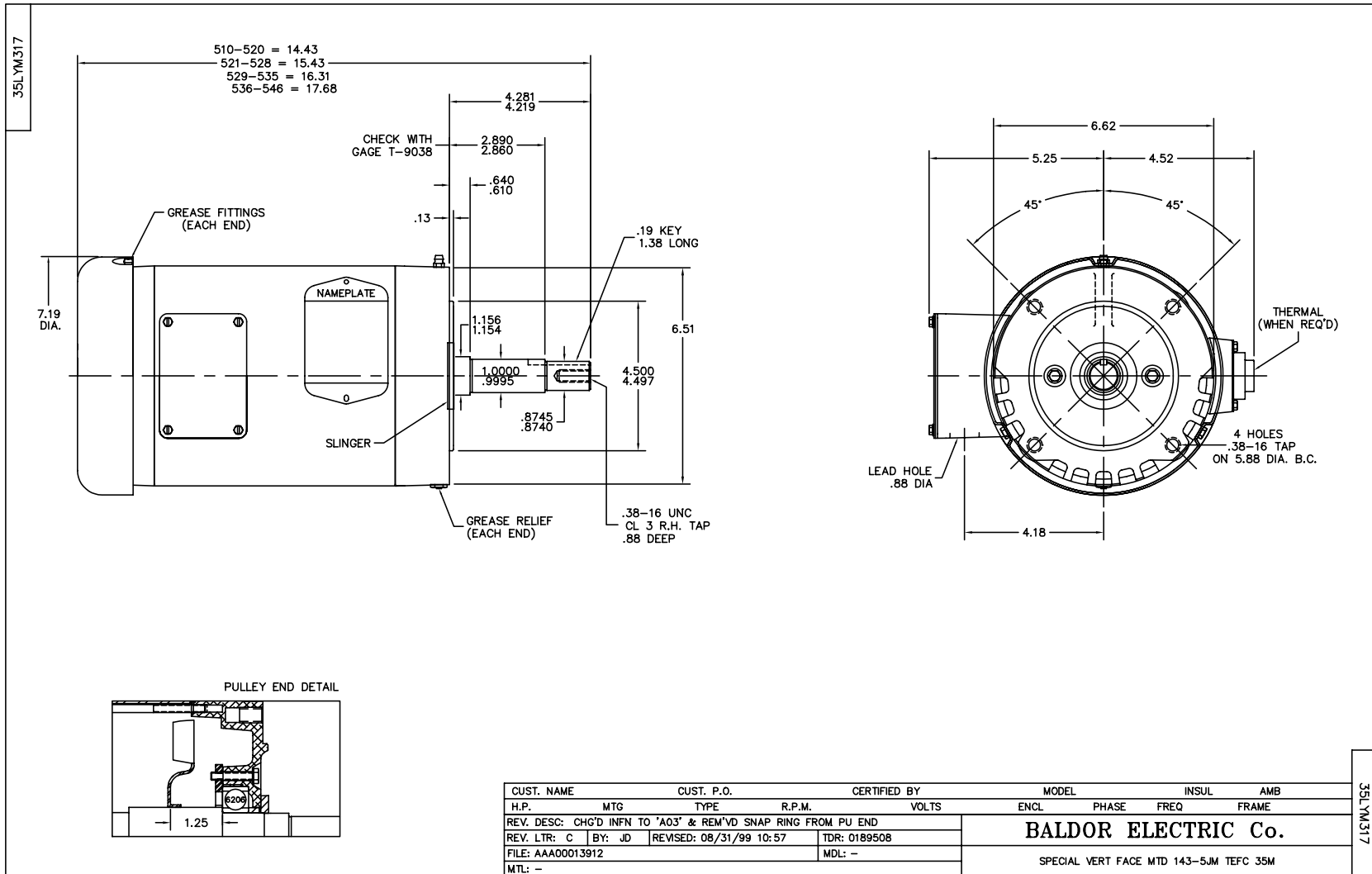
Nameplate Data				575 V, 60 Hz: Single Voltage Motor	
Rated Output (HP)	2			Full Load Torque	5.98 LB-FT
Volts	575			Start Configuration	direct on line
Full Load Amps	2.3			Breakdown Torque	26 LB-FT
R.P.M.	1755			Pull-up Torque	16.6 LB-FT
Hz	60	Phase	3	Locked-rotor Torque	18 LB-FT
NEMA Design Code	B	KVA Code	L	Starting Current	19.6 A
Service Factor (S.F.)	1.15			No-load Current	1.48 A
NEMA Nom. Eff.	86.5	Power Factor	75	Line-line Res. @ 25°C	11.9 Ω
Rating - Duty	40C AMB-CONT			Temp. Rise @ Rated Load	62°C
S.F. Amps				Temp. Rise @ S.F. Load	74°C
				Locked-rotor Power Factor	50
				Rotor inertia	0.165 LB-FT ²

Load Characteristics 575 V, 60 Hz, 2 HP

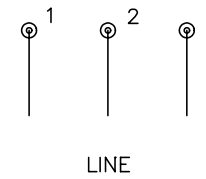
% of Rated Load	25	50	75	100	125	150	S.F.
Power Factor	32	52	65	74	79	82	77
Efficiency	76	84.4	86.9	87	86.6	85.3	86.8
Speed	1790	1780	1769	1757	1744	1729	1749
Line amperes	1.54	1.71	1.99	2.34	2.73	3.2	2.57

Performance Graph at 575V, 60Hz, 2.0HP Typical performance - Not guaranteed values





CD0006



NOTES:

1. THREE LEAD MOTOR MAY BE EITHER WYE CONNECTED OR DELTA CONNECTED.
2. INTERCHANGE ANY TWO LINE LEADS TO REVERSE ROTATION.
3. OPTIONAL THERMOSTATS ARE PROVIDED WHEN SPECIFIED.
4. ACTUAL NUMBER OF INTERNAL PARALLEL CIRCUITS MAY VARY.
5. LEAD COLORS ARE OPTIONAL. LEADS MUST BE NUMBERED AS SHOWN.

REV. DESC: REVISE TO SHOW OPTIONAL COLORS			
REV. LTR: D	BY: JLP	REVISED: 01/21/99 4:02	TDR: 0171435
9000D		FILE: AAA00005141	MDL: -
		MTL: -	

BALDOR ELECTRIC Co.

3PH, SV, 3 LEADS, WYE OR DELTA CONNECTED

CD0006