

# **BALDOR**® • ***RELIANCE***

## **Product Information Packet**

### **VL1306A**

**.75HP,3450RPM,1PH,60HZ,56C,3424L,OPEN,F1**

Part Detail							
Revision:	T	Status:	PRD/A	Change #:		Proprietary:	No
Type:	AC	Prod. Type:	3424L	Elec. Spec:	34WG2414	CD Diagram:	CD0052
Enclosure:	OPEN	Mfg Plant:		Mech. Spec:	34F493	Layout:	34LYF493
Frame:	56C	Mounting:	F1	Poles:	02	Created Date:	
Base:	N	Rotation:	ROS	Insulation:	B	Eff. Date:	10-07-2016
Leads:	6#18,1#14 #1TH					Replaced By:	
Literature:		Elec. Diagram:					

Nameplate NP1257L	
CAT.NO.	VL1306A
SPEC.	34F493-2414
HP	.75
VOLTS	115/230
AMP	11/5.5
RPM	3450
FRAME	56C
SER.F.	1.50
NEMA-NOM-EFF	69
RATING	40C AMB-CONT
CC	
DE	6203
ENCL	OPEN
	SFA 13/6.5
	CODE J
	DES N
	CL B
	PF 68
	HZ 60
	PH 1
	USABLE AT 208V
	ODE 6203
	SN

Parts List		
Part Number	Description	Quantity
SA010394	SA 34F493-2414	1.000 EA
RA006773	RA 34F493-2414	1.000 EA
TPMRJ26AX	THERMAL 1PH 0.75 AUT 120C	1.000 EA
EC1270A02SP	ELEC CAP, 270-324 MFD, 125V, 1.48D X 3.	1.000 EA
WD4100A01	DP-875 HEYCO PLUG OR 62MP0875 MICRO PLAS	1.000 EA
51XW0832A07	8-32 X .44, TAPTITE II, HEX WSHR SLTD SE	3.000 EA
11XT0832G06	8-32 X 3/8 TY 23 TAPPING	1.000 EA
NS2500A01	INSULATOR, AUTO THER PROT	1.000 EA
34CB4800SP	CAPACITOR COVER, STAMPED PRIMED	1.000 EA
51XB1016A05	10-16X5/16HX WA SL SR TYB (F/S)	2.000 EA
WD1000A16	2-520128-2 AMP FLAG TERMINAL(4M/RL)	1.000 EA
HW5100A03SP	WAVY WASHER (W1543-017)	1.000 EA
34EP3401A01SP	PU ENDPLATE, MACH	1.000 EA
34AD2000	BAFFLE PLATE, STAMPED	1.000 EA
51XT0632A06	6-32X3/8 TY23 HXWS SLDSR	4.000 EA
51XN1032A20	10-32 X 1 1/4 HX WS SL SR	2.000 EA
34FH4500A02P	DRIPCOVER, MODEL 34	1.000 EA
51XW0832A07	8-32 X .44, TAPTITE II, HEX WSHR SLTD SE	2.000 EA
34CB4501SP	TERMINAL BOX LID, STAMPED X (PLATED)	1.000 EA
51XW0832A07	8-32 X .44, TAPTITE II, HEX WSHR SLTD SE	2.000 EA
HW2501D13	KEY, 3/16 SQ X 1.375	1.000 EA
HA7000A04	KEY RETAINER 0.625 DIA SHAFTS	1.000 EA
34EP3202A03	FR ENDPLATE, MACH	1.000 EA
HA6001A03	THERMAL RETAINER (PLATED)	1.000 EA

<b>Parts List (continued)</b>		
<b>Part Number</b>	<b>Description</b>	<b>Quantity</b>
NS2500A01	INSULATOR, AUTO THER PROT	1.000 EA
12XF0632A06	6-32X3/8 TY F HEX HD SLT	2.000 EA
MG1000G27	MED CHARCOAL METALLIC GREY 400-0096	0.014 GA
10XF0440S02	04-40 X 1/8 TYPE F HEX HD STAINLESS STIC	2.000 EA
SP5086A01	MODEL 34 TERMINAL PANEL SWITCH WITH LEAD	1.000 EA
HA3100A38	THRUBOLT 10-32 X 9.375	4.000 EA
MN416A01	TAG-INSTAL-MAINT no wire (1200/bx) 11/14	1.000 EA
LB1118	LABEL,WARNING (ROLL LABEL)	1.000 EA
LC0052	CONNECTION LABEL	1.000 EA
NP1257L	ALUM UL CSA CC THERMAL REV MTG	1.000 EA
35PA1000	PKG GRP, PRINT PK1008A06	1.000 EA
PK3083T	STYROFOAM PACKING CRADLE W/TAPE	1.000 EA

**AC Induction Motor Performance Data**  
Record # 6649 - Typical performance - not guaranteed values

<b>Winding:</b> 34WG2414-R001	<b>Type:</b> 3424L	<b>Enclosure:</b> OPEN
-------------------------------	--------------------	------------------------

Nameplate Data				230 V, 60 Hz: High Voltage Connection	
Rated Output (HP)	.75			Full Load Torque	1.15 LB-FT
Volts	115/230			Start Configuration	direct on line
Full Load Amps	11/5.5			Breakdown Torque	3.98 LB-FT
R.P.M.	3450			Pull-up Torque	1.63 LB-FT
Hz	60	Phase	1	Locked-rotor Torque	2.45 LB-FT
NEMA Design Code	N	KVA Code	J	Starting Current	31.2 A
Service Factor (S.F.)	1.5			No-load Current	3.7 A
NEMA Nom. Eff.	69	Power Factor	68	Line-line Res. @ 25°C	2.33 Ω A Ph 1.65 Ω B Ph
Rating - Duty	40C AMB-CONT			Temp. Rise @ Rated Load	75°C
S.F. Amps	13/6.5			Temp. Rise @ S.F. Load	108°C

Load Characteristics 230 V, 60 Hz, 0.75 HP

% of Rated Load	25	50	75	100	125	150	S.F.
Power Factor	39	52	64	73	79	83	85
Efficiency	41.7	57.6	65.5	69.2	69.8	69.3	70.4
Speed	3558	3536	3508	3479	3447	3410	3415
Line amperes	3.78	4	4.4	4.91	5.61	6.37	6.31

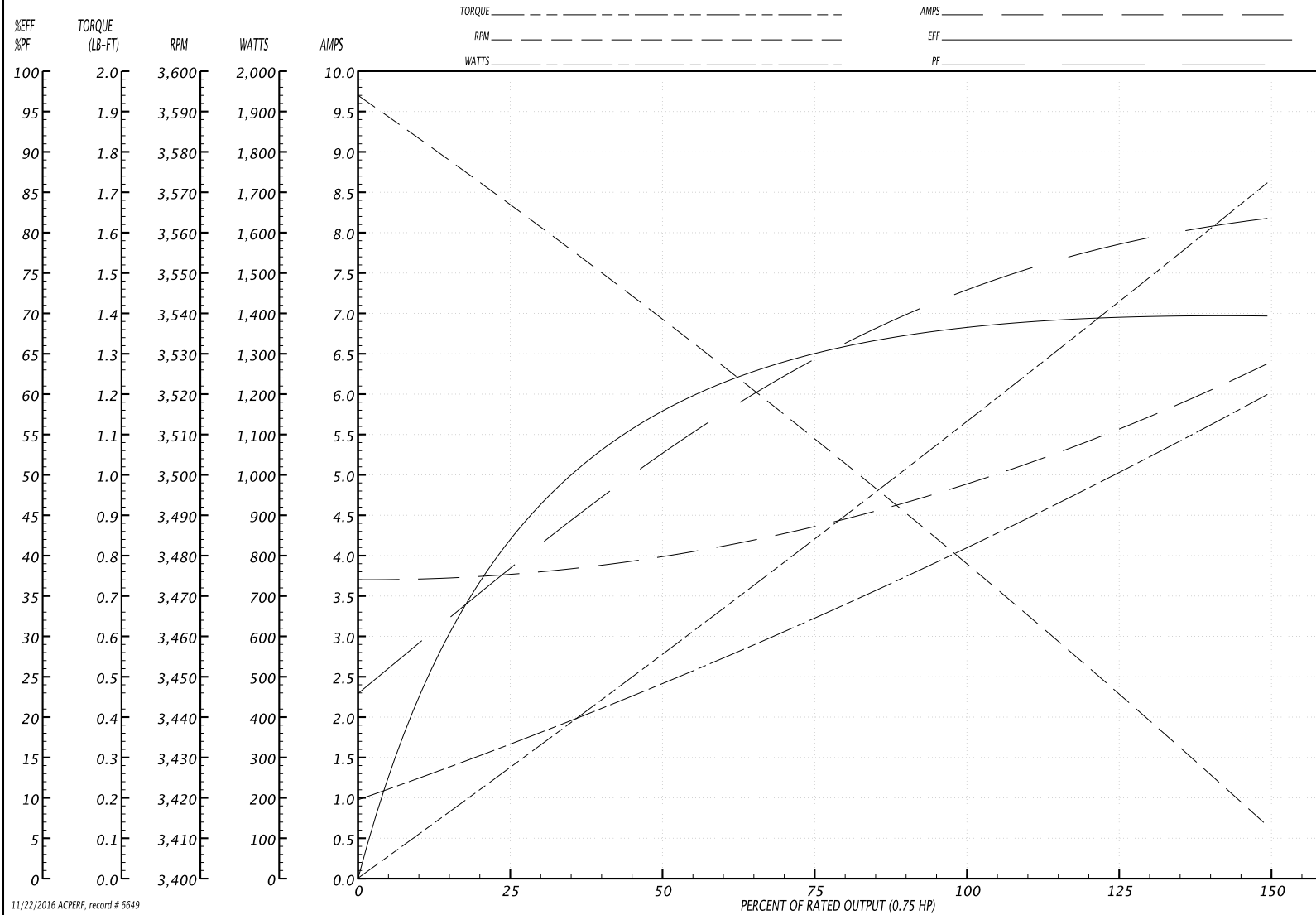
Performance Graph at 230V, 60Hz, 0.75HP Typical performance - Not guaranteed values

**BALDOR ELECTRIC COMPANY**

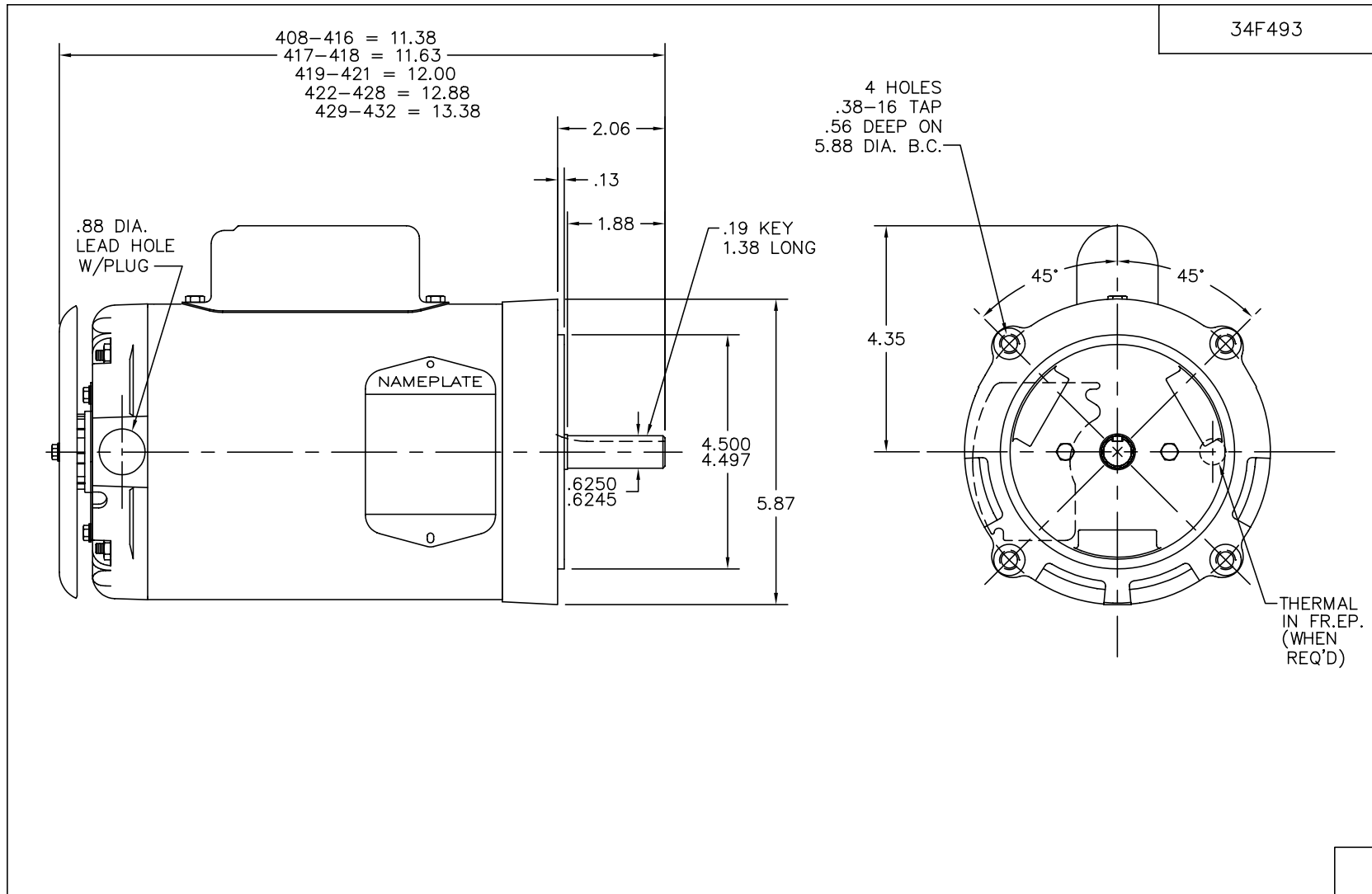
WINDING # 34WG2414

Typical performance - not guaranteed values.

0.75 HP 1 PH 60 HZ 3450 RPM 230 V 3424L  
 TORQUES(LB-FT): PO=3.98 PU=1.63 LR=2.45 LRA=31.2



11/22/2016 ACPERF: record # 6649

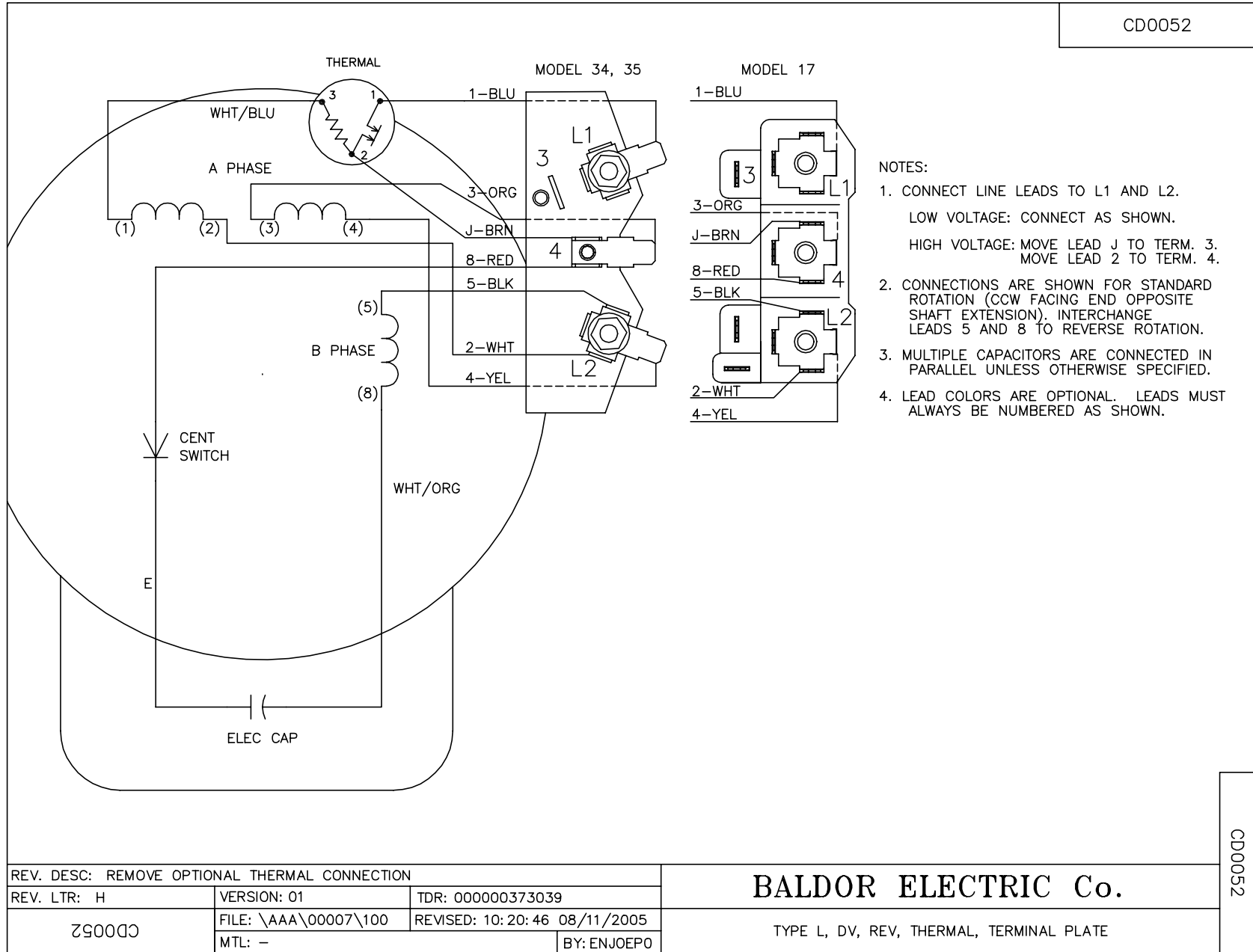


34F493

CUST. NAME		CUST. P.O.		CERTIFIED BY		MODEL		INSUL		AMB							
H.P.		MTG		TYPE		R.P.M.		VOLTS		ENCL		PHASE		FREQ		FRAME	
REMARKS:												<b>BALDOR ELECTRIC Co.</b>					
REV: - NEW																	
34F493		RER: 34F009		BY: DM		REVISED: 12/29/97		VERT 34L NEMA 56C OPEN W/DRIP COVER, TERM PLATE & ATO IN FREP									
		FILE: AAA00049996				TDR: 0139579											

34F493

CD0052



CD0052

REV. DESC: REMOVE OPTIONAL THERMAL CONNECTION		
REV. LTR: H	VERSION: 01	TDR: 000000373039
Z90052	FILE: \AAA\00007\100	REVISED: 10:20:46 08/11/2005
	MTL: -	BY: ENJOEPO

**BALDOR ELECTRIC Co.**

TYPE L, DV, REV, THERMAL, TERMINAL PLATE