

BALDOR® • ***RELIANCE***

Product Information Packet

VM3543T

.75HP, 1140RPM, 3PH, 60HZ, 143TC, 3428M, TEFC

Part Detail							
Revision:	S	Status:	PRD/A	Change #:		Proprietary:	No
Type:	AC	Prod. Type:	3428M	Elec. Spec:	34WGW012	CD Diagram:	CD0005
Enclosure:	TEFC	Mfg Plant:		Mech. Spec:	34-3492	Layout:	34LY3492
Frame:	143TC	Mounting:	F1	Poles:	06	Created Date:	
Base:	N	Rotation:	R	Insulation:	B	Eff. Date:	11-05-2013
Leads:	9#18					Replaced By:	
Literature:		Elec. Diagram:					

Nameplate NP1256L										
CAT.NO.	VM3543T									
SPEC.	34-3492W12									
HP	.75									
VOLTS	208-230/460									
AMP	3.3-3/1.5									
RPM	1140									
FRAME	143TC				HZ	60			PH	3
SER.F.	1.15		CODE	K	DES	B		CLASS	B	
NEMA-NOM-EFF	77		PF	59						
RATING	40C AMB-CONT									
CC									USABLE AT 208V	3.3
DE	6205				ODE	6203				
ENCL	TEFC		SN							
	SFA 3.5-3.2/1.6									

Parts List		
Part Number	Description	Quantity
SA008848	SA 34-3492W12	1.000 EA
RA005295	RA 34-3492W12	1.000 EA
NS2512A01	INSULATOR, CONDUIT BOX X	1.000 EA
34CB3002A	CB CAST W/.88 DIA HOLE	1.000 EA
34GS1029A01	GASKET, CONDUIT BOX	1.000 EA
51XB1016A07	10-16 X 7/16 HXWSSLD SERTYB	2.000 EA
11XW1032G06	10-32 X .38, TAPTITE II, HEX WSHR SLTD U	1.000 EA
34EP3102A01SP	FR ENDPLATE, MACH	1.000 EA
HW5100A03SP	WAVY WASHER (W1543-017)	1.000 EA
34EP3903T09	PU ENDPLATE, MACH	1.000 EA
51XN1032A20	10-32 X 1 1/4 HX WS SL SR	2.000 EA
34FN3002A01SP	EXTERNAL FAN, PLASTIC, .637/.639 HUB W/	1.000 EA
34FH4002A01SP	IEC FH NO GREASER PRIMED	1.000 EA
51XW1032A06	10-32 X .38, TAPTITE II, HEX WSHR SLTD S	3.000 EA
34CB4517	CB LID 4 MTG HOLES .22 DIA STAMPED, FOR	1.000 EA
34GS1031A01	GASKET, FLAT CONDUIT BOX LID (LEXIDE)	1.000 EA
51XW0832A07	8-32 X .44, TAPTITE II, HEX WSHR SLTD SE	4.000 EA
HW2501D13	KEY, 3/16 SQ X 1.375	1.000 EA
HA7000A01	KEY RETAINER 7/8" DIA SHAFT	1.000 EA
MG1000G27	MED CHARCOAL METALLIC GREY 400-0096	0.014 GA
10XF0440S02	04-40 X 1/8 TYPE F HEX HD STAINLESS STIC	2.000 EA
HA3100A18	THRUBOLT 10-32 X 9.250	4.000 EA
LC0005E01	CONN.DIA./WARNING LABEL (LC0005/LB1119N)	1.000 EA
NP1256L	ALUM UL CSA CC	1.000 EA

Parts List (continued)		
Part Number	Description	Quantity
35PA1000	PKG GRP, PRINT PK1008A06	1.000 EA
PK3083T	STYROFOAM PACKING CRADLE W/TAPE	1.000 EA

AC Induction Motor Performance Data

Record # 6846 - Typical performance - not guaranteed values

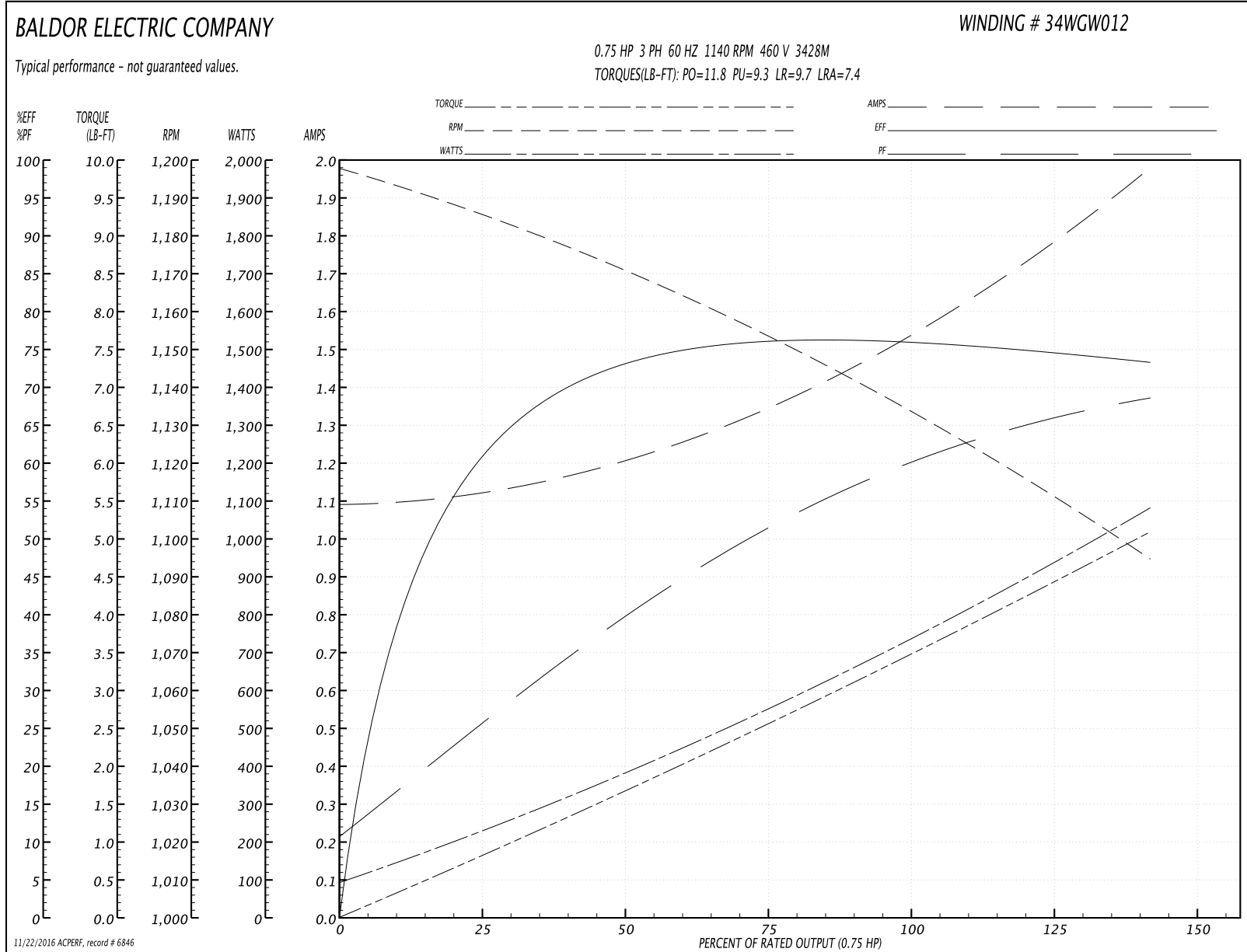
Winding: 34WGW012-R001	Type: 3428M	Enclosure: TEFC
-------------------------------	--------------------	------------------------

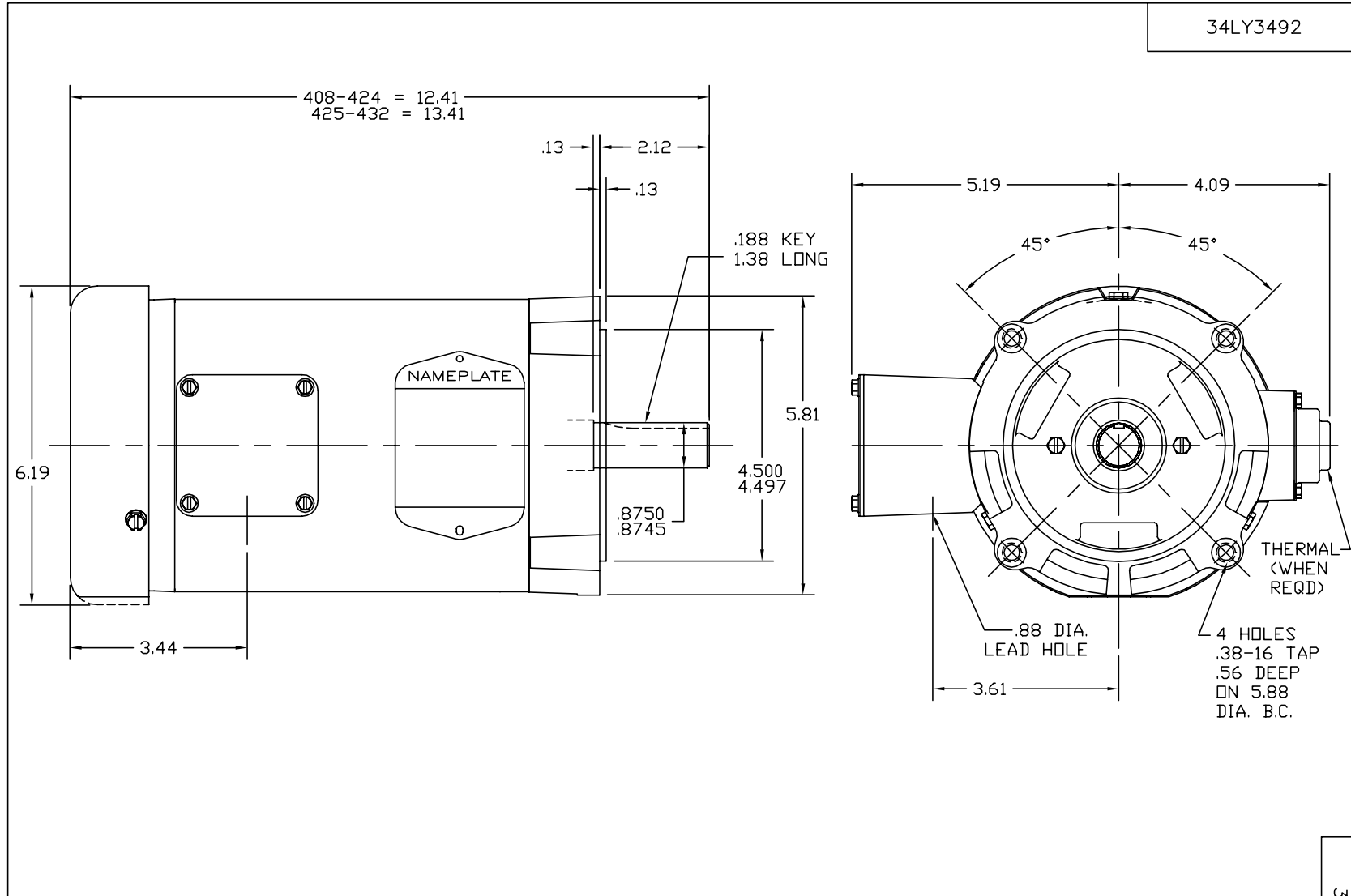
Nameplate Data				460 V, 60 Hz: High Voltage Connection	
Rated Output (HP)	.75			Full Load Torque	3.4 LB-FT
Volts	208-230/460			Start Configuration	direct on line
Full Load Amps	3.3-3/1.5			Breakdown Torque	11.8 LB-FT
R.P.M.	1140			Pull-up Torque	9.3 LB-FT
Hz	60	Phase	3	Locked-rotor Torque	9.7 LB-FT
NEMA Design Code	B	KVA Code	K	Starting Current	7.4 A
Service Factor (S.F.)	1.15			No-load Current	1.1 A
NEMA Nom. Eff.	77	Power Factor	59	Line-line Res. @ 25°C	21.9 Ω
Rating - Duty	40C AMB-CONT			Temp. Rise @ Rated Load	62°C
S.F. Amps	3.5-3.2/1.6			Temp. Rise @ S.F. Load	75°C

Load Characteristics 460 V, 60 Hz, 0.75 HP

% of Rated Load	25	50	75	100	125	150	S.F.
Power Factor	26	40	51	59	65	68	63
Efficiency	60	72	76	77	75	73	76
Speed	1185	1170	1155	1135	1115	1095	1125
Line amperes	1.1	1.2	1.4	1.5	1.7	2	1.6

Performance Graph at 460V, 60Hz, 0.75HP Typical performance - Not guaranteed values





34LY3492

CUSTOMER IS RESPONSIBLE FOR DETERMINING THAT MOTOR PERFORMANCE IS SUITABLE IN THE APPLICATION.

REV. DESC: UPDATED KOBX & LID			
REV. LTR: D	VERSION: 01	TDR: 000000422893	
34LY3492	FILE: \AAA\00025\622	REVISED: 07:59:45 02/21/2007	
	MTL: -	BY: ENRSTO	

BALDOR ELECTRIC Co.

STD VERT MODEL 34M NEMA 143TC TEFC

34LY3492

CD0005



LOW VOLTAGE (2Y)



LINE

HIGH VOLTAGE (1Y)



LINE

NOTES:

1. INTERCHANGE ANY TWO LINE LEADS TO REVERSE ROTATION.
2. OPTIONAL THERMOSTATS ARE PROVIDED WHEN SPECIFIED.
3. ACTUAL NUMBER OF INTERNAL PARALLEL CIRCUITS MAY BE A MULTIPLE OF THOSE SHOWN ABOVE.
4. LEAD COLORS ARE OPTIONAL. LEADS MUST ALWAYS BE NUMBERED AS SHOWN.

REV. DESC: REVISE TO SHOW OPTIONAL COLORS			
REV. LTR: E	BY: JLP	REVISED: 01/19/99 10:15	TDR: 0171435
900003		FILE: AAA00005140	MDL: -
		MTL: -	

BALDOR ELECTRIC Co.

3PH, DV, 9 LEADS

CD0005