

# **BALDOR® • RELIANCE**

## **Product Information Packet**

# **WDGF0518AG**

**WDF-918-05-B5-G**

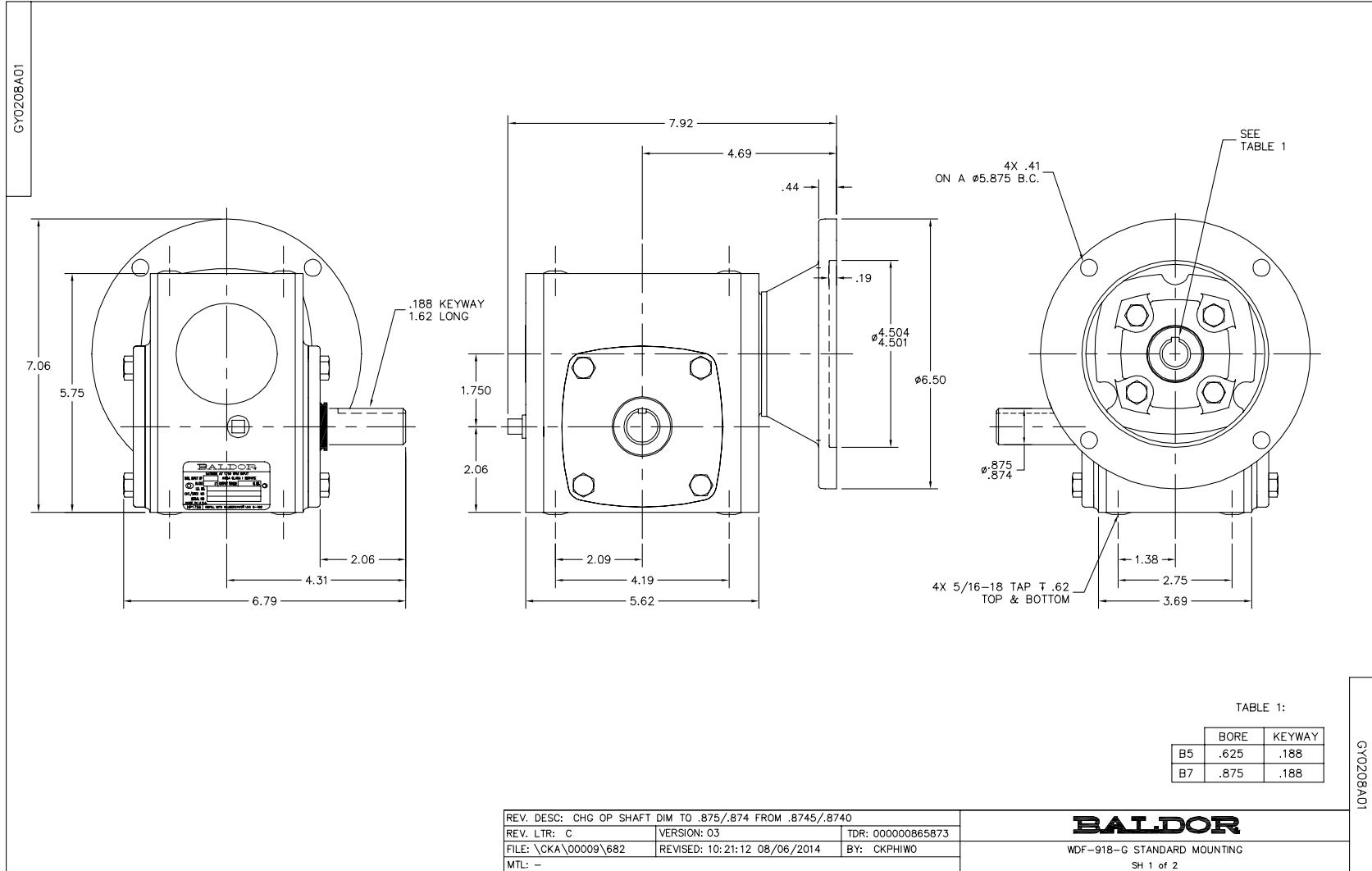
|                         |                        |
|-------------------------|------------------------|
| <b>Nameplate NP1756</b> |                        |
| <b>INPUT H.P.</b>       | 2.00                   |
| <b>RATIO</b>            | 5                      |
|                         | <b>R TORQ-INLB</b> 320 |
|                         | WDF-918-05-B5-G        |
| <b>CAT./SPEC</b>        | WDFG0518AG             |
| <b>DATE CODE</b>        | GR0208C016             |

| Parts List  |  |          |
|-------------|--|----------|
| Part Number | Description                              | Quantity |
| HG0015A10   | 918 WMGR HSG, SYMM SEALED, W/NP HOLES    | 1.000 EA |
| HA4027A01   | SQUARE HEAD PIPE PLUG 1/4" NPTF #304 S.S | 1.000 EA |
| HW5000A94   | N5000-206 RETAINER RING                  | 2.000 EA |
| WM0059B01   | 918 SERIES MTZ WORM ASSY 5:1 RATIO 5/8   | 1.000 EA |
| BG6304A01   | 6304 OPEN,C3,SLUSH                       | 1.000 EA |
| 918-9SR     | 5160-75 RET RING 5160-75                 | 1.000 EA |
| HA3555A04   | EXPANSION PLUG 2.053/2.049 X 9/32        | 1.000 EA |
| HW4600G25   | SEAL 35MM X 52MM X 8MM SGL LIP FT802     | 1.000 EA |
| GF0001A01   | 918-3F56 GEAR FLANGE MACHINING 1.75 CD N | 1.000 EA |
| 10XN3118S20 | 5/16-18 X 1 1/4 HEX HEAD CAP, STAINLESS  | 4.000 EA |
| HW1001S31   | WASHER, 5/16 SPLT LK, STAINLESS STEEL    | 4.000 EA |
| BS0014A02   | 918-5 BEARING SUPPORT, OPEN-FOR SYMM HSG | 1.000 EA |
| GS0034A01   | WORMGEAR GASKET, .003 (GREEN), 3.15 ID X | 1.000 EA |
| GS0034A02   | WORMGEAR GASKET, .005 (BLUE), 3.15 ID X  | 2.000 EA |
| GS0034A03   | WORMGEAR GASKET, .010 (BROWN), 3.15 ID X | 2.000 EA |
| HW4600G47   | SEAL .875 X 1.375 X 0.250 DBLLIP, FT802  | 1.000 EA |
| HW4600B46   | V-RING SLINGER 0.875 X 1.420 X .24 VITON | 1.000 EA |
| 10XN3118S12 | 5/16-18 X 3/4 HEX HEAD CAP, STAINLESS ST | 4.000 EA |
| SG0016B38   | 918 WASHDN GEAR SH ASSY 05:1, SGL O/P, W | 1.000 EA |
| BS0046A02   | 918 BEARING SUPPORT MACH. CLOSED         | 1.000 EA |
| GS0034A01   | WORMGEAR GASKET, .003 (GREEN), 3.15 ID X | 1.000 EA |
| GS0034A02   | WORMGEAR GASKET, .005 (BLUE), 3.15 ID X  | 2.000 EA |
| GS0034A03   | WORMGEAR GASKET, .010 (BROWN), 3.15 ID X | 2.000 EA |
| 10XN3118S12 | 5/16-18 X 3/4 HEX HEAD CAP, STAINLESS ST | 4.000 EA |

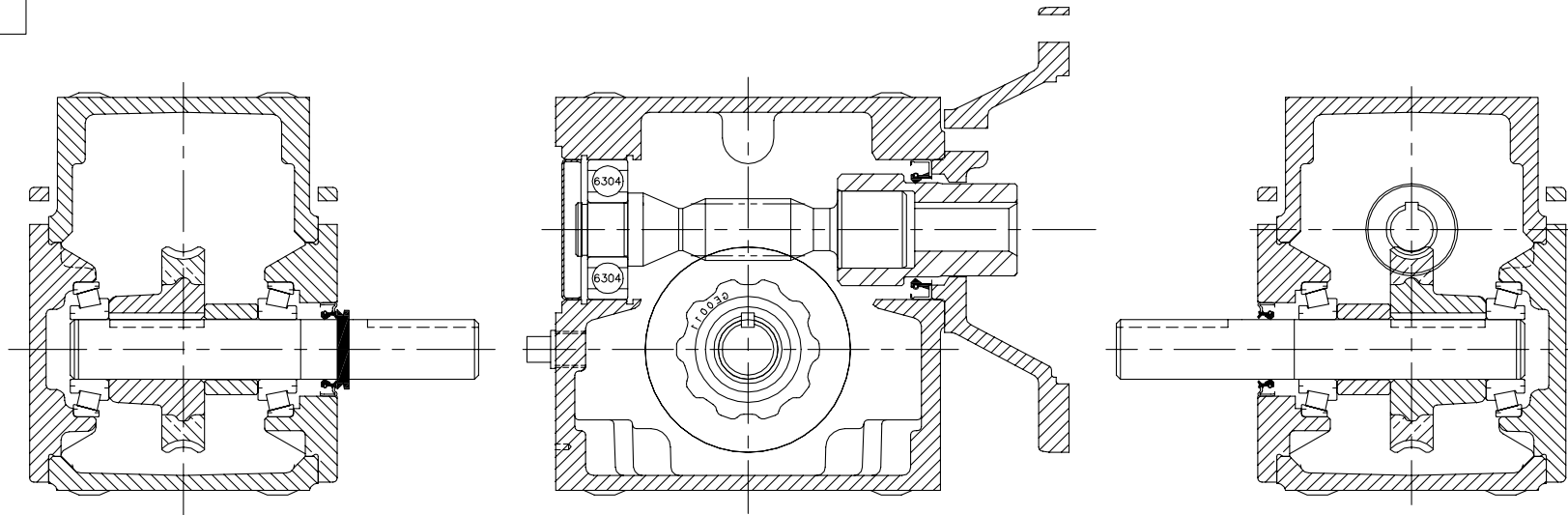
| Parts List (continued) |  |          |
|------------------------|--|----------|
| Part Number            | Description                              | Quantity |
| HA3557A01              | ALLIANCE #I-5/16 MTG HOLE PLUG (YELLOW)  | 4.000 EA |
| MJ1000A90              | KLUBERSYNTH UH1-6-460 WORMGEAR OIL       | 0.125 GA |
| MJ5019A01              | ADHESIVE LOCTITE #680 WAS BAD4525        | 0.001 EA |
| MJ5004A35              | ADHESIVE LOCTITE #243-31 50 ML           | 0.001 EA |
| MJ5001A19              | LOCTITE #598 ULTRA BLACK, 50 LB PAIL, IT | 0.010 LB |
| MG1500Y09              | RAL 1001 WILKOFAS 701.09                 | 0.030 GA |
| MG1025W01              | WILKOFAS, 781.01, SIGNAL WHITE #9003     | 0.030 GA |
| LB5042                 | TOE TAG, OIL PREFILL KLUBERSYN (5000/bx) | 1.000 EA |
| LT0066A08              | REDUCER MAINT - KLUBE (1700/bx) 8/09     | 1.000 EA |
| NP1756                 | NAMEPLATE, GEAR REDUCER, KLUBERSYNTH UH1 | 1.000 EA |
| LB1242                 | ADHESIVE PATCH 1.10 X 2.03 X .045 THICK  | 1.000 EA |
| 85XU0208S03            | 2 X 3/16 DRIVE PIN S.S. (BMH5033)        | 2.000 EA |
| MJ1000B01              | ANTISEIZE - ALTEMP Q NB 50, 750 GRAM CAN | 0.001 EA |
| HA3556A01              | CAPPLUGS T-7X, ORM BORE PLUG 5/8 BORE    | 1.000 EA |
| 35PA1000               | PKG GRP, PRINT PK1008A06                 | 1.000 EA |
| HW2502D10              | KEY, 3/16 SQ X 1.000 SS                  | 1.000 EA |
| 10XN3816S16            | 3/8-16 X 1 HEX HD CAP SCREW, STAINLE     | 4.000 EA |
| HW1001S38              | WASHER, 3/8 SPLT LK, STAINLESS STEEL     | 4.000 EA |
| MP1009A01              | 4 X 4 ZIP POLYBAG, 4 MIL                 | 1.000 EA |
| PK3101                 | EXPANDED POLYETHYLENE PAD (BSM), 8 X 6   | 1.000 EA |

| <b>Accessories</b> |                                       |                   |
|--------------------|---------------------------------------|-------------------|
| <b>Part Number</b> | <b>Description</b>                    | <b>Multiplier</b> |
| WDB18H71           | WASHDOWN BASE-HORIZONTAL POS. A/B 918 |                   |

No performance data has been  
assigned to this product.



GY0208A01



GY0208A01

|   |                              |                   |
|---|------------------------------|-------------------|
| REV. DESC: CHG OP SHAFT DIM TO .875/.874 FROM .8745/.8740 |                              |                   |
| REV. LTR: C   | VERSION: 03                  | TDR: 000000865873 |
| FILE: \CKA\00009\682                                      | REVISED: 10:21:14 08/06/2014 | BY: CKPHIWO       |
| MTL: -  |                              |                   |

**BALDOR**  
WDF-918-G STANDARD MOUNTING  
SH 2 of 2