

BALDOR® • RELIANCE

Product Information Packet

WDGF3024AG

WDF-924-30-B5-G

| | |
|-------------------------|-----------------|
| Nameplate NP1756 | |
| INPUT H.P. | 1.32 |
| RATIO | 30 |
| | WDF-924-30-B5-G |
| R TORQ-INLB | 1111 |
| CAT./SPEC | WDFG3024AG |
| DATE CODE | |
| | GR0210C003 |

| Parts List | | |
|-------------|--|----------|
| Part Number | Description | Quantity |
| HG0018A12 | 924 WMGR HSG-SYMM, SEALED W/NP HOLES | 1.000 EA |
| HA4027A02 | SQUARE HEAD PIPE PLUG 3/8" NPTF #304 S.S | 1.000 EA |
| 921-1SR | N5000-244 RET RING | 2.000 EA |
| WM0061B06 | 924 MTZ WORM ASSY 30:1 RATIO 5/8 W/O | 1.000 EA |
| BG6305A01 | 6305 OPEN,C3,SLUSH | 1.000 EA |
| HW5060A58 | RET RING 5160-98 WALDES FOR .984 OR 1.00 | 1.000 EA |
| HA3555A05 | EXPANSION PLUG 2.447/2.443 X .28 | 1.000 EA |
| HW4600G24 | SEAL 35MM X 62MM X 8MM SGL LIP FT802 | 1.000 EA |
| GF0005A01 | 921-3F56 GEAR FLANGE 2.06 & 2.38 CD NEMA | 1.000 EA |
| 10XN3118S20 | 5/16-18 X 1 1/4 HEX HEAD CAP, STAINLESS | 4.000 EA |
| HW1001S31 | WASHER, 5/16 SPLT LK, STAINLESS STEEL | 4.000 EA |
| BS0021A02 | 924-5 BEARING SUPPORT, OPEN - FOR SYMM H | 1.000 EA |
| GS0036A01 | WORMGEAR GASKET, .003 (GREEN), 4.15 ID X | 1.000 EA |
| GS0036A02 | WORMGEAR GASKET, .005 (BLUE), 4.15 ID X | 2.000 EA |
| GS0036A03 | WORMGEAR GASKET, .010 (BROWN), 4.15 ID X | 2.000 EA |
| HW4600G32 | SEAL 1.125 X 1.624 X 0.250 DBLLIP, FT802 | 1.000 EA |
| HW4600B74 | V-RING SLINGER 1.125 X 1.445 X .24 VITON | 1.000 EA |
| 10XN3118S12 | 5/16-18 X 3/4 HEX HEAD CAP, STAINLESS ST | 4.000 EA |
| SG0013B26 | 924 COMP GR SHF ASSY 30:1, SGL O/P, W/SS | 1.000 EA |
| BS0049A02 | 924-5 BEARING SUPPORT, CLOSED - FOR SYMM | 1.000 EA |
| GS0036A01 | WORMGEAR GASKET, .003 (GREEN), 4.15 ID X | 1.000 EA |
| GS0036A02 | WORMGEAR GASKET, .005 (BLUE), 4.15 ID X | 2.000 EA |
| GS0036A03 | WORMGEAR GASKET, .010 (BROWN), 4.15 ID X | 2.000 EA |
| 10XN3118S12 | 5/16-18 X 3/4 HEX HEAD CAP, STAINLESS ST | 4.000 EA |

| Parts List (continued) | | |
|------------------------|--|----------|
| Part Number | Description | Quantity |
| HA3557A02 | ALLIANCE #PP3/8 PLUG | 4.000 EA |
| MJ1000A90 | KLUBERSYNTH UH1-6-460 WORMGEAR OIL | 0.206 GA |
| MJ5019A01 | ADHESIVE LOCTITE #680 WAS BAD4525 | 0.001 EA |
| MJ5004A35 | ADHESIVE LOCTITE #243-31 50 ML | 0.001 EA |
| MJ5001A19 | LOCTITE #598 ULTRA BLACK, 50 LB PAIL, IT | 0.010 LB |
| MG1500Y09 | RAL 1001 WILKOFAS 701.09 | 0.010 GA |
| MG1025W01 | WILKOFAS, 781.01, SIGNAL WHITE #9003 | 0.010 GA |
| LB5042 | TOE TAG, OIL PREFILL KLUBERSYN (5000/bx) | 1.000 EA |
| LT0066A08 | REDUCER MAINT - KLUBE (1700/bx) 8/09 | 1.000 EA |
| NP1756 | NAMEPLATE, GEAR REDUCER, KLUBERSYNTH UH1 | 1.000 EA |
| LB1242 | ADHESIVE PATCH 1.10 X 2.03 X .045 THICK | 1.000 EA |
| MJ1000B01 | ANTISEIZE - ALTEMP Q NB 50, 750 GRAM CAN | 0.001 EA |
| HA3556A01 | CAPPLUGS T-7X, ORM BORE PLUG 5/8 BORE | 1.000 EA |
| 85XU0208S03 | 2 X 3/16 DRIVE PIN S.S. (BMH5033) | 2.000 EA |
| 35PA1000 | PKG GRP, PRINT PK1008A06 | 1.000 EA |
| HW2502E11 | SS KEY 1/4 X 1.125 | 1.000 EA |
| 10XN3816S16 | 3/8-16 X 1 HEX HD CAP SCREW, STAINLE | 4.000 EA |
| HW1001S38 | WASHER, 3/8 SPLT LK, STAINLESS STEEL | 4.000 EA |
| MP1009A01 | 4 X 4 ZIP POLYBAG, 4 MIL | 1.000 EA |

| Accessories | | |
|--------------------|---------------------------------------|-------------------|
| Part Number | Description | Multiplier |
| WDB24H71 | WASHDOWN BASE-HORIZONTAL POS. A/B 924 | |

No performance data has been assigned to this product.

GY0210A01

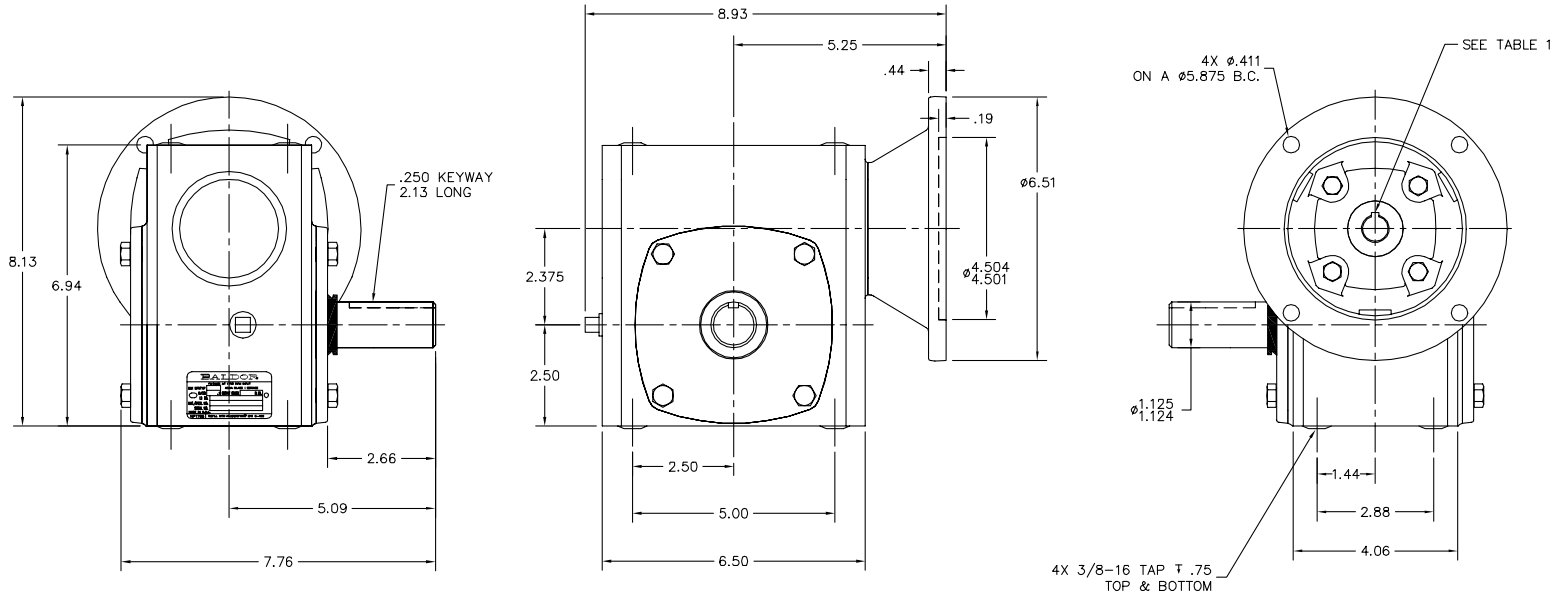


TABLE 1:

| | BORE | KEYWAY |
|----|------|--------|
| B5 | .625 | .188 |
| B7 | .875 | .188 |

GY0210A01

| | | | | | | | |
|--|--|-------------------|--|---|--|----------------------------------|--|
| CUST. NAME: | | CUST. P.O.: | | REV. DESC: CHANGE OP SHAFT DIAMETER TO 1.125-1.124" | | BALDOR • DODGE • RELIANCE | |
| MODEL: | | CATALOG/SPEC NO.: | | REV. LTR: B | | VERSION: 02 | |
| RATIO: | | MAX. INPUT HP: | | FILE: \CKA\00010\101 | | TDR: 000000700116 | |
| RATINGS ARE AGMA CLASS 1 SERVICE AT 1750 RPM INPUT | | OUTPUT TORQUE: | | REVISED: 10:01:31 06/20/2011 | | BY: CKAPRBO | |
| CERTIFIED BY: | | MTL: - | | WDF-924-G STANDARD MOUNTING SH 1 of 1 | | | |