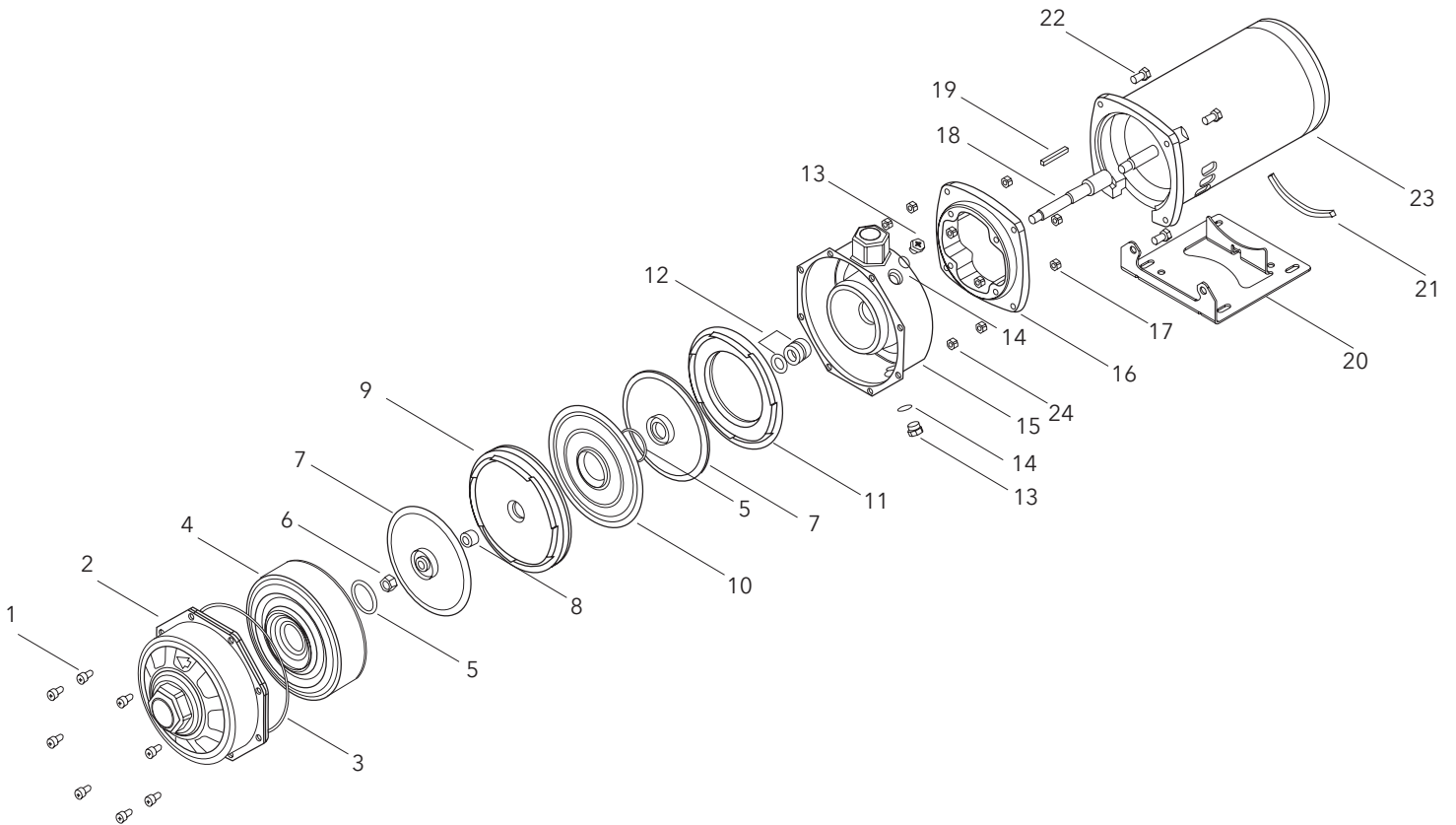


LC REPAIR PARTS



LC REPAIR PARTS TABLE

Item No.	Part Description	Material	Repair Part No.			Quantity
			LCA	LCB	LCC	
1	Screw, Casing	400SS	13K283			8
2	Pump casing, suction	304SS	1L11	1L13		1
3	O-Ring, Casing	Viton	5K266			1
		Optional EPR	5K267			
		Optional BUNA	5K178			
4	Diffuser Cover, first stage	304SS	3L5	3L8		1
5	O-ring, Impeller	Viton	5K269	5K270		2
		Optional EPR	5K273	5K274		
		Optional BUNA	5K271	5K272		
6	Impeller Nut	304SS/Nylon	13K365			1
7 ①	(2) Impellers with Buna O-Ring (5K178)	304SS	2L907	2L910	2L913	1 kit
	(2) Impellers with EPR O-Ring (5K267)	304SS	2L908	2L911	2L914	
	(2) Impellers with Viton O-Ring (5K266)	304SS	2L909	2L912	2L915	
8	Impeller Spacer	304SS	4L14			1
9	Diffuser, intermediate	304SS	3L13	3L14		1
10	Diffuser Cover, last stage	304SS	3L15	3L16		1
11	Diffuser, last stage	304SS	3L9	3L11		1
12	Mechanical Seal	Varies	See Mechanical Seal application chart			1
13	Fill and Drain Plug	304SS	6L3			1 each
14	O-ring, fill and drain plug	Viton	5L99			1 each
15	Pump Body with plug	304SS	* 1L553			1
16	Motor Adapter	Cast Iron	* 1K454			1
17	Locknut, motor adapter to pump	Steel	* 13K351			4
18	Shaft, pump	304SS	4K649			1
19	Key, impeller	304SS	4L16			1
20	Foot, pump	Steel	4K450			1
21	Spacer	Rubber	9K188			1
22	Screw, motor to motor adapter	Steel	13K194			4
23	Motor, 3ph ODP	303SS	SFE08874S	SFE09874S	SFE10774S	1
	Motor, 1ph ODP		SFE08854S	SFE09854S	SFE10754S	
	Motor, 3ph TEFC		SFE08876S	SFE09876S	NA	
	Motor, 1ph TEFC		SFE08821S	SFE09821S	NA	
24	Nut, casing screw	304SS	13K282			8

① New impeller kits contain the new casing ring.

MECHANICAL SEAL APPLICATION CHART

Rotary	Stationary	Elastomer	Metal Parts	Part No.
Carbon	Ceramic	Viton	316SS	10K92
	Silicon Carbide			10K87
	Silicon Carbide			10K88
Carbon	Silicon Carbide	EPR		10K89

* For pumps built before Sn# H0246002, use 1L531 - pump body, 1K614 - motor adapter and 13K281 - screw (qty. 4).

Xylem Inc.

2881 East Bayard Street Ext., Suite A, Seneca Falls, NY 13148

Phone: (800) 453-6777 Fax: (888) 322-5877

www.xylem.com/brands/gouldswatertechnology

