



Questions? Call **1-800-810-1053**

## KML-SERIES

*Peristaltic Metering Pump / Technical Data Sheet*



### ● FEATURES

- *Tool-free tube change*
- *Improved safety - No rotating parts during tube change*
- *Easy-to-Use interface with one-button switching between local and remote mode*
- *USBC interface allows for downloading of operating history and installation of new software versions*
- *Expandable platform can be field-upgraded to add features and communication options*
- *Multiple tubing options to cover a wide range of chemicals and applications*
- *Assembled in USA*
- *Standard 5-year warranty*
- *NSF 61 Certified*

### ● OPERATING RANGE

- *Maximum flow up to 600 lph (158.5 gph) at full speed*
- *Up to 7.6 bar (110 psi)*
- *10,000:1 Turndown*



**LMI**<sup>®</sup>

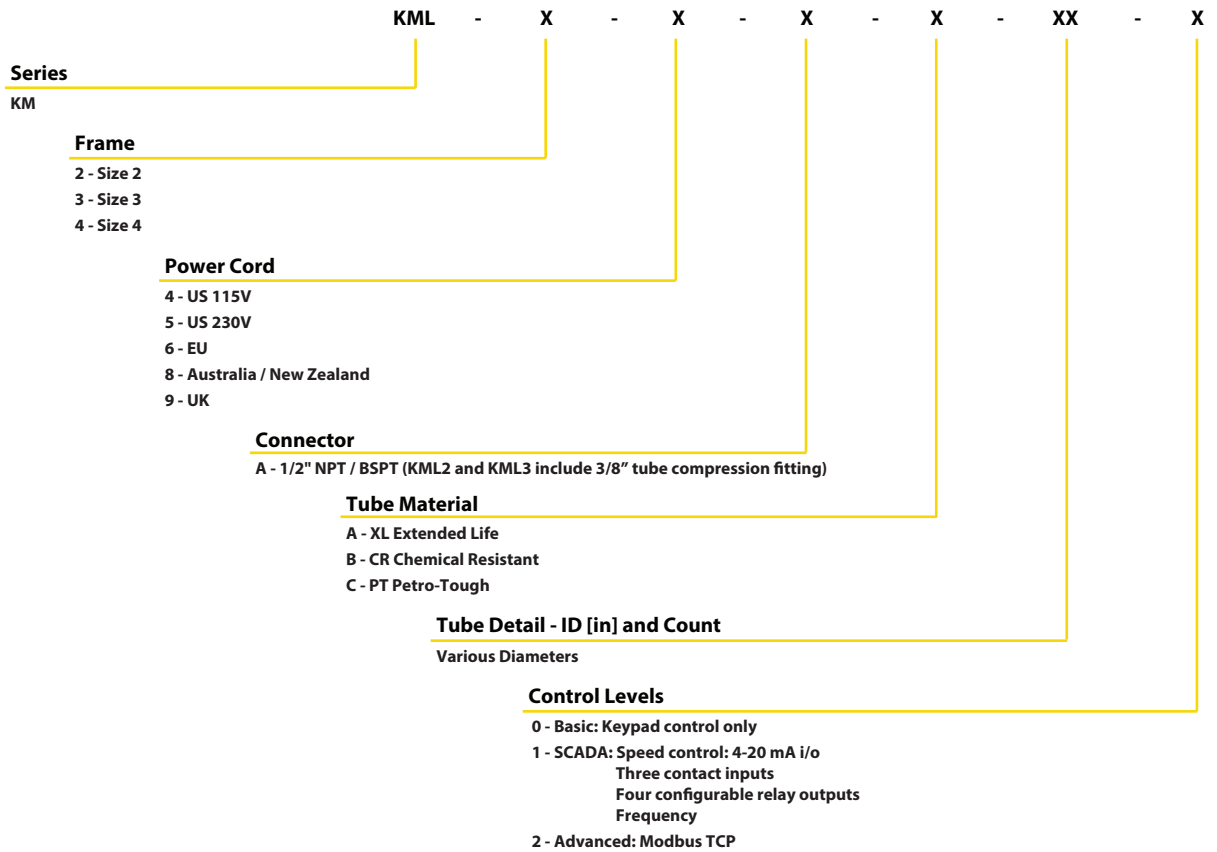
# KML-Series

## Data Sheet



### MODEL CODE EXPLANATION

**Sample Part Number: KML2-4-ACG1-0**



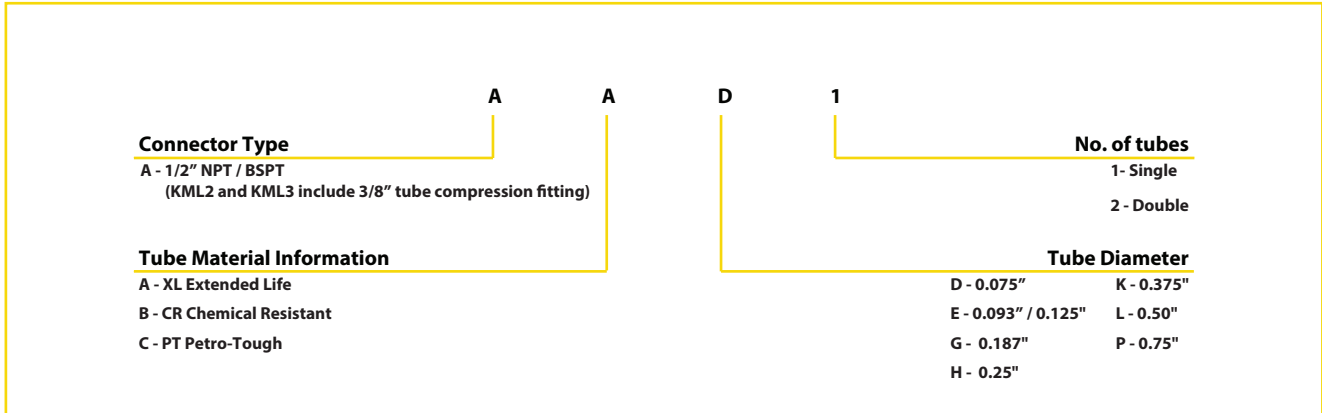
**NOTICE: All possible options are shown in the chart, however, certain combinations may not be recommended. Consult a representative or the factory if you have questions concerning availability.**



# LMI® KML-Series

## Data Sheet

### TUBE ASSEMBLY CODE EXPLANATION



### AVAILABLE TUBE ASSEMBLIES

|      | MATERIAL | PART # | GPH  | L/H  | PSI | BAR |
|------|----------|--------|------|------|-----|-----|
| KML2 | XL       | AAD1   | 1.7  | 6.5  | 100 | 6.9 |
|      |          | AAE2   | 4.4  | 16.8 | 110 | 7.6 |
|      |          | AAG2   | 17.1 | 65.1 | 110 | 7.6 |
|      | CR       | ABH1   | 14.2 | 54   | 50  | 3.4 |
|      | PT       | ACG1   | 9.3  | 35.2 | 65  | 4.5 |
|      |          | ACG2   | 14.9 | 56.7 | 65  | 4.5 |

|      | MATERIAL | PART # | GPH   | L/H | PSI | BAR |
|------|----------|--------|-------|-----|-----|-----|
| KML4 | XL       | AAH1   | 28.4  | 108 | 100 | 6.9 |
|      |          | AAH2   | 53.7  | 204 | 100 | 6.9 |
|      |          | AAL1   | 99.5  | 378 | 50  | 3.4 |
|      |          | AAP1   | 158.5 | 600 | 30  | 2.1 |
|      | CR       | ABK1   | 53.7  | 204 | 30  | 2.1 |
|      |          | ABK2   | 125.5 | 477 | 30  | 2.1 |
|      | PT       | ACH1   | 39.5  | 150 | 65  | 4.5 |
|      |          | ACK1   | 55.3  | 210 | 65  | 4.5 |
|      |          | ACK2   | 99.5  | 378 | 65  | 4.5 |

Flow rates shown are at maximum pump speed. For best tube life, select a large tube and run the pump slowly.

|      | MATERIAL | PART # | GPH  | L/H  | PSI | BAR |
|------|----------|--------|------|------|-----|-----|
| KML3 | XL       | AAD1   | 2.1  | 7.9  | 100 | 6.9 |
|      |          | AAE2   | 4.7  | 18   | 100 | 6.9 |
|      |          | AAG2   | 18.9 | 72   | 110 | 7.6 |
|      |          | AAK1   | 33.2 | 126  | 100 | 6.9 |
|      |          | AAKL   | 33.2 | 126  | 30  | 2.1 |
|      | CR       | ABK1   | 28.4 | 108  | 50  | 3.4 |
|      | PT       | ACG1   | 10.1 | 38.4 | 65  | 4.5 |
|      |          | ACG2   | 18.2 | 69   | 65  | 4.5 |
|      |          | ACK1   | 28.4 | 108  | 65  | 4.5 |

### TUBE MATERIAL INFORMATION

**LMI XL - Extended Life** tubing has excellent acid and alkali resistance, and is compatible with numerous oxidizing agents such as sodium hypochlorite. LMI XL is best for fatigue life and is the longest-lasting tube in compatible applications. Min/max temperature: 0-80°C (32-176°F).

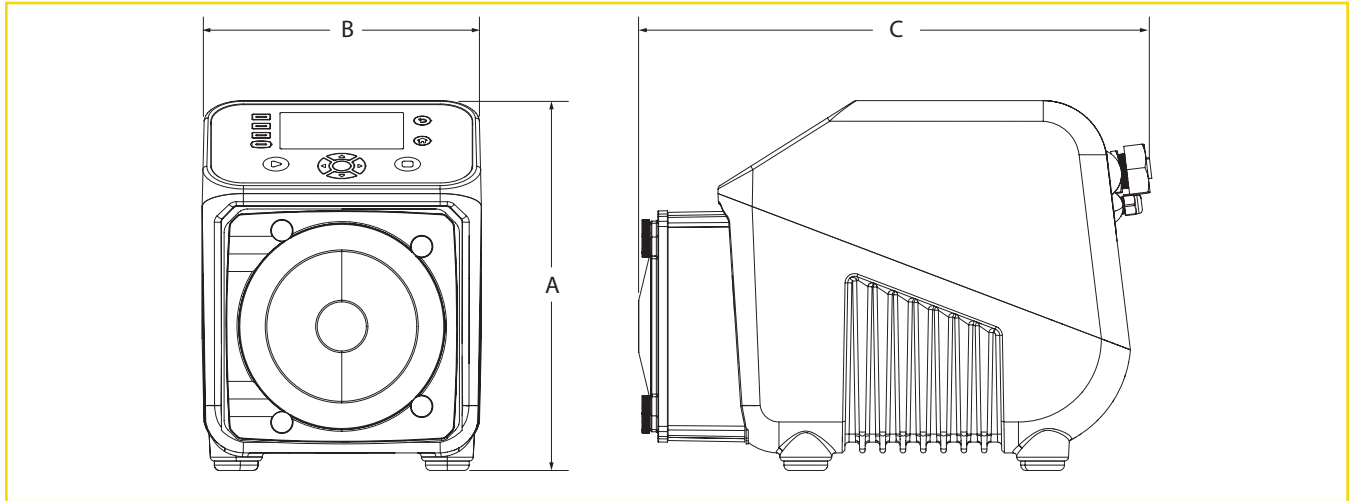
**LMI CR - Chemical Resistant** is suited for handling strong acids and bases, and is virtually unaffected by most commercial sanitizers & cleaners. Min/max temperature: 0-54°C (32-130°F).

**LMI PT - Petro-Tough** can be used with fats and oils, lubricants, and some solvents. Min/max temperature: 0-54°C (32-130°F).



# LMI® KML-Series

## Data Sheet



### DIMENSIONS

mm (Inch)

| DIMENSION      | KML2        | KML3        | KML4         |
|----------------|-------------|-------------|--------------|
| A              | 246 (10.4)  | 246 (10.4)  | 363 (14.3)   |
| B              | 206 (8.125) | 206 (8.125) | 308 (12.125) |
| C              | 361 (14.2)  | 361 (14.2)  | 455 (17.9)   |
| Weight kg (lb) | 35.6 (16.1) | 35.6 (16.1) | 72 (32.6)    |

### MATERIALS OF CONSTRUCTION

| MATERIALS OF CONSTRUCTION |                        |
|---------------------------|------------------------|
| ENCLOSURE                 | POWDER COATED ALUMINUM |
| PUMP HEAD                 | PBT THERMOPLASTIC      |
| COVER                     | POLYCARBONATE          |
| ROTOR                     | PBT THERMOPLASTIC      |
| ROLLERS                   | NYLON                  |
| ROLLER BEARINGS           | 316SS                  |
| ROLLER SHAFT              | 316SS                  |
| MOTOR SHAFT               | CHROME STEEL           |
| COVER SCREWS              | PLASTIC/316SS          |
| TUBE CONNECTORS           | PVDF                   |



### About Ingersoll Rand Inc.

Ingersoll Rand Inc. (NYSE:IR), driven by an entrepreneurial spirit and ownership mindset, is dedicated to helping make life better for our employees, customers and communities. Customers lean on us for our technology-driven excellence in mission-critical flow creation and industrial solutions across 40+ respected brands where our products and services excel in the most complex and harsh conditions. Our employees develop customers for life through their daily commitment to expertise, productivity and efficiency. For more information, visit [www.IRCO.com](http://www.IRCO.com).

We are committed to using environmentally conscious print practices

Order Online: [www.PumpCatalog.com](http://www.PumpCatalog.com)

©2023 Ingersoll Rand  
LMI-0823-002-EN