

Model: NDP-80BSE
Part # 852654 - NPT
Part # 852432 - Flange

Yamada America, Inc.
 955 East Algonquin Rd
 Arlington Heights, IL 60005
 Phone: 847.631.9200
 Fax: 847.631.9273
 www.yamadapump.com



| Reference | | | |
|-----------|-----------------------|------|----------|
| No. | Description | Q'ty | Part No. |
| 1 | Out Chamber | 2 | 712933 |
| 2 | In Manifold - Flange | 1 | 712603 |
| 2 | In Manifold - NPT | 1 | 712605 |
| 3 | Out Manifold - Flange | 1 | 712602 |
| 3 | Out Manifold - NPT | 1 | 712604 |
| 5 | Body Assembly | 1 | 803113 |
| 7 | Center Rod | 1 | 711901 |
| 8 | Center Disk | 2 | 711906 |
| 9 | Center Disk | 2 | 711907 |
| 10 | Diaphragm | 2 | 771858 |
| 11 | Valve Seat | 4 | 771999 |
| 12 | Ball | 4 | 770596 |
| 14 | Ball Valve | 1 | 684322 |
| 15 | Elbow | 1 | 682523 |
| 19 | Pump Base | 2 | 711912 |
| 20 | Cushion | 4 | 771402 |
| 21 | Nut | 2 | 683408 |
| 22 | Coned Disk Spring | 2 | 682740 |
| 23 | Bolt | 20 | 621182 |
| 23a | Washer | 20 | 631937 |
| 24 | Plain Washer | 4 | 631174 |
| 25 | Washer | 4 | 631937 |
| 26 | Bolt | 16 | 621203 |
| 27 | Plain Washer | 16 | 631175 |
| 28 | Spring Lock Washer | 16 | 631938 |
| 29 | Nut | 16 | 628014 |
| 33 | Bolt | 4 | 621177 |
| 34 | Nut | 4 | 628013 |
| 35 | Bolt | 4 | 611149 |
| 36 | Nut with Flange | 4 | 682276 |
| 40 | O-ring | 4 | 684124 |
| 42 | Bolt | 4 | 683543 |
| 42a | Washer | 4 | 631937 |

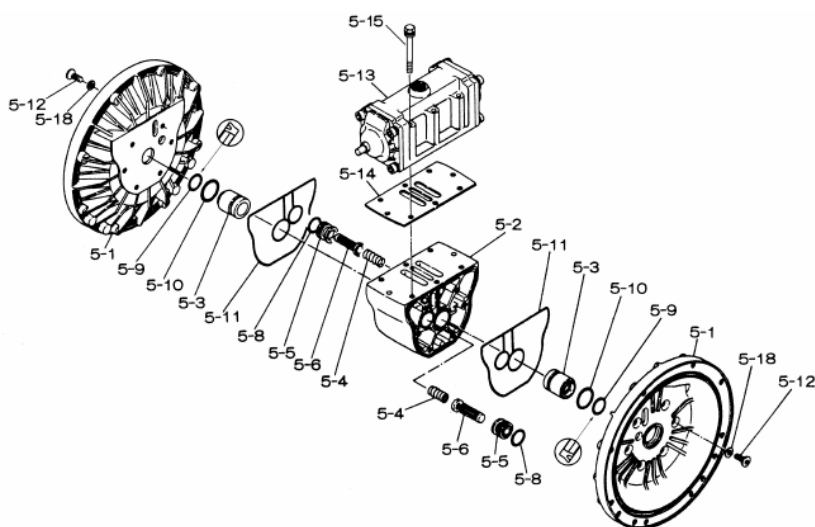
Repair Kits

K80-ME Liquid Side Kit includes the following:

| No. | Description | Q'ty | Part No. |
|-----|-------------|------|----------|
| 10 | Diaphragm | 2 | 771858 |
| 11 | Valve Seat | 4 | 771999 |
| 40 | O-ring | 4 | 684124 |
| 12 | Ball | 4 | 770596 |

K80-AM Air Side Kit includes the following:

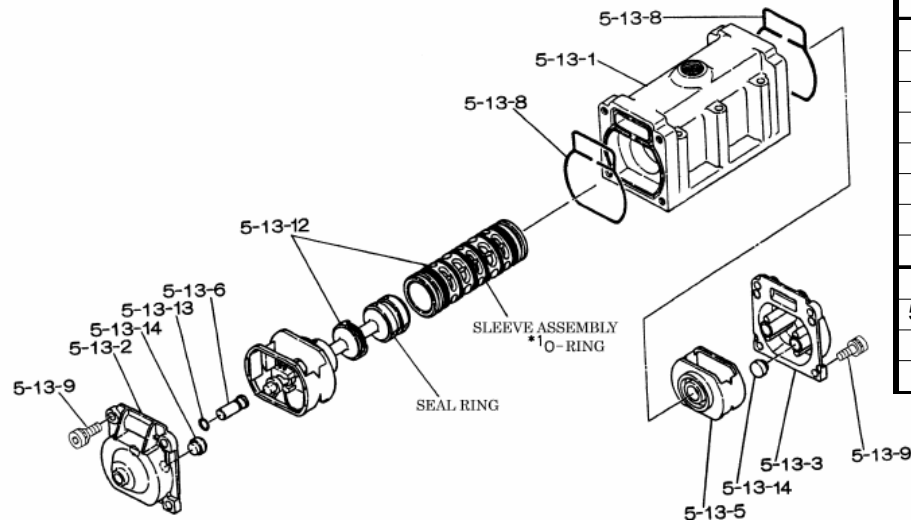
| No. | Description | Q'ty | Part No. |
|----------------|----------------------|------|----------|
| 5-3 | Throat Bearing | 2 | 772689 |
| 5-4 | Spring | 2 | 711937 |
| 5-5 | Valve Seat | 2 | 771740 |
| 5-6 | Pilot Valve Assembly | 2 | 832163 |
| 5-8 | O-ring | 7 | 640020 |
| 5-9 | Packing | 2 | 685444 |
| 5-10 | O-ring | 2 | 640029 |
| 5-11 | Gasket | 2 | 771742 |
| 5-14 | Gasket | 1 | 771712 |
| 5-13-8 | Gasket | 2 | 771738 |
| 5-13-12 Seal | Seal Ring | 15 | 771732 |
| 5-13-12 Sleeve | Sleeve Assembly | 1 | 803675 |



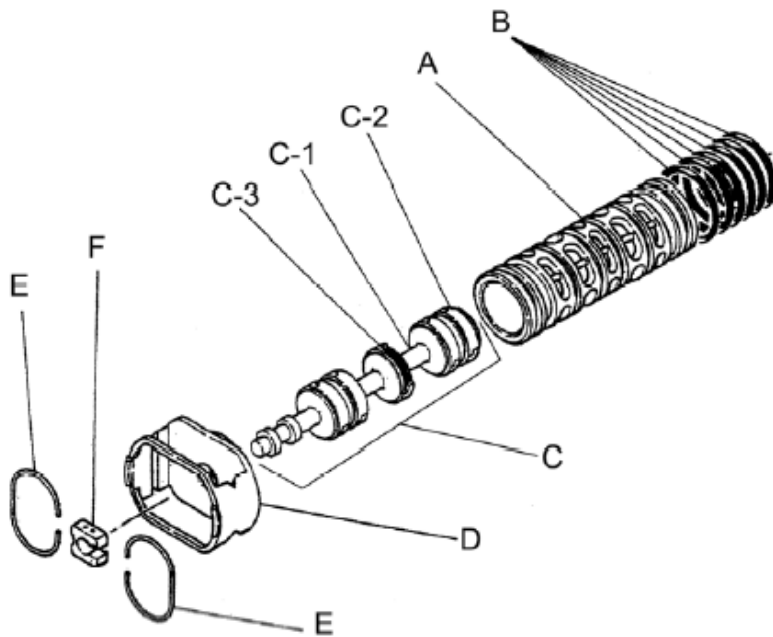
Body Assembly 803113

| Reference | | | |
|-----------|----------------------|------|----------|
| No. | Description | Q'ty | Part No. |
| 5-1 | Air Chamber | 2 | 711935 |
| 5-2 | Body | 1 | 711936 |
| 5-3 | Throat Bearing | 2 | 772689 |
| 5-4 | Spring | 2 | 711937 |
| 5-5 | Valve Seat | 2 | 771740 |
| 5-6 | Pilot Valve Assembly | 2 | 832163 |
| 5-8 | O-ring | 2 | 640020 |
| 5-9 | Packing | 2 | 685444 |
| 5-10 | O-ring | 2 | 640029 |
| 5-11 | Gasket | 2 | 771742 |
| 5-12 | Flat Head Bolt | 12 | 683812 |
| 5-13 | Valve Body Assembly | 1 | 802971 |
| 5-14 | Gasket | 1 | 771712 |
| 5-15 | Bolt | 6 | 684240 |
| 5-18 | Plain Washer | 12 | 684987 |

Yamada America, Inc.
 955 East Algonquin Rd
 Arlington Heights, IL 60005
 Phone: 847.631.9200
 Fax: 847.631.9273
 www.yamadapump.com



| 802971 Valve Body Assembly | | | |
|----------------------------|---------------------|------|----------|
| Reference | | | |
| No. | Description | Q'ty | Part No. |
| 5-13-1 | Valve Body | 1 | 711931 |
| 5-13-2 | Cap A | 1 | 580999 |
| 5-13-3 | Cap B | 1 | 581000 |
| 5-13-5 | Spring Stopper | 1 | 771735 |
| 5-13-6 | Reset Button | 1 | 712976 |
| 5-13-8 | Gasket | 2 | 771738 |
| 5-13-9 | Bolt | 8 | 685036 |
| 5-13-12 | C Spool Valve Assy. | 1 | 803115 |
| 5-13-12 Seal | Seal Ring | 15 | 771732 |
| 5-13-12 Sleeve | Sleeve Assembly | 1 | 803675 |
| 5-13-13 | O-ring | 1 | 640005 |
| 5-13-14 | Cushion | 4 | 684128 |



803115 Air Valve Assembly (5-13-12)

| Reference | | | |
|-----------|-----------------|------|----------|
| No. | Description | Q'ty | Part No. |
| A | Sleeve | 1 | 803675 |
| B | O-ring | 6 | 640036 |
| C | Spool Assembly | 1 | 803114 |
| C-1 | Spool | 1 | 771733 |
| C-2 | Seal Ring | 15 | 771732 |
| C-3 | O-ring | 5 | 640020 |
| D | Spring Retainer | 1 | 771735 |
| E | C-Spring | 2 | 711932 |
| F | Block | 1 | 771734 |

Yamada America, Inc.
 955 East Algonquin Rd
 Arlington Heights, IL 60005
 Phone: 847.631.9200
 Fax: 847.631.9273
 www.yamadapump.com