

BALDOR® • ***RELIANCE***

Product Information Packet

AEM2334-4

20HP, 1770RPM, 3PH, 60HZ, 286U, 1046M, TEFC, F1

Part Detail							
Revision:	E	Status:	PRD/A	Change #:		Proprietary:	No
Type:	AC	Prod. Type:	1046M	Elec. Spec:	10WGY977	CD Diagram:	CD0006
Enclosure:	TEFC	Mfg Plant:		Mech. Spec:	10M36	Layout:	10LYM036
Frame:	286U	Mounting:	F1	Poles:	04	Created Date:	02-21-2015
Base:	RG	Rotation:	R	Insulation:	F	Eff. Date:	08-19-2016
Leads:	3#10					Replaced By:	
Literature:		Elec. Diagram:					

Nameplate NP1404E	
CAT.NO.	AEM2334-4
SPEC.	10M036Y977G1
VOLTS	460
AMP	23
RPM	1770
HP	20
FRAME	286U
HZ	60
PH	3
SER.F.	1.00
CODE	G
DES	B
CL	F
NEMA-NOM-EFF	93
PF	84
G.MIN.EFF	91.7
CC	010A
RATING	65C AMB-CONT
LUBRICATION	POLYREX EM
DE	6311
ODE	6309
ENCL	TEFC
SER. #	

Parts List		
Part Number	Description	Quantity
SA294166	SA 10M036Y977G1	1.000 EA
RA280248	RA 10M036Y977G1	1.000 EA
S/P107-000-004	SUPER-E(284 FR. & UP)-CL PLANT,POLYREX E	1.000 EA
10CB1000A09E	CONDUIT BOX, MACH W/E-COAT	1.000 EA
09GS1010	GASKET, DWG, LEADWIRE SEPERATOR	1.000 EA
10XN3118K16	5/16-18 X 1' GRADE #5, STL, ZINC PLATE	4.000 EA
HW1001A31	LOCKWASHER 5/16, ZINC PLT.591 OD, .319 I	4.000 EA
WD1000B16	T&B CX70TN TERMINAL	1.000 EA
10XN2520K06	1/4-20 X 3/8" HX HD SCREWGRADE 5, ZINC P	1.000 EA
HW1001A25	LOCKWASHER 1/4, ZINC PLT .493 OD, .255 I	1.000 EA
HA4001A01SP	DRAIN PLUG, PLASTIC (MICRO PLAS)	1.000 EA
10XN3816K28	3/8-16 X 1.75 HEX HD CAP SCREW, GRADE 5	4.000 EA
HW1001A38	LOCKWASHER 3/8, ZINC PLT .688 OD, .382 I	4.000 EA
HW5100A11	W3917-042 WVY WSHR (WB)	1.000 EA
10EP1105A01E	MACH'D E-COAT EP	1.000 EA
10XN2520K32	1/4-20 X 2.00 HX HD SCRW GRADE 5, ZINC P	2.000 EA
10XN3118K40	5/16-18 X 2.50" HEX HD, GRADE 5	4.000 EA
10XN3816K28	3/8-16 X 1.75 HEX HD CAP SCREW, GRADE 5	4.000 EA
HW1001A38	LOCKWASHER 3/8, ZINC PLT .688 OD, .382 I	4.000 EA
10FH1007P	FAN COVER, CAST W/EPOXY PRIMER	1.000 EA
10XN3118K20	5/16-18 X 1 1/4 GRADE 5 STEEL ZC PLATED	3.000 EA
HW1001A31	LOCKWASHER 5/16, ZINC PLT.591 OD, .319 I	3.000 EA
WD4100A02	DP-1000 HEYCO PLUG OR 62MP1000 MICRO PL	1.000 EA
HA1005A04	SLINGER, OD 3.620, ID 1.98,	1.000 EA

Parts List (continued)		
Part Number	Description	Quantity
HA1005A26	SLINGER, OD 3.00, ID 1.75, 309 BRG	1.000 EA
10CB1500A01P	CONDUIT BOX LID, MACH W/EPOXY PRIMER	1.000 EA
14GS1003	GASKET CONDUIT BOX LID, NEOP	1.000 EA
10XN2520K16	1/4-20 X 1" HX HD SCRW GRADE 5, ZINC P	4.000 EA
HW1001A25	LOCKWASHER 1/4, ZINC PLT .493 OD, .255 I	4.000 EA
MJ5001A27	32220KN GRAY SEALER *MIN BUY 4 QTS=1GAL	0.031 QT
MJ5002A01	SILICON RUBBER SEALANT, 732CL 10.3 OZ TU	0.031 EA
MJ5001A14	DYNAPRO SEAL, CP MOTORS VC#2508050 (603	0.033 EA
HW2501G32	KEY, 3/8 SQ X 3.750	1.000 EA
LB1115N	LABEL,LIFTING DEVICE (ON ROLLS)	1.000 EA
WD1000B07	T&B C71, RING TERM 10-12 AWG, .25" STUD	3.000 EA
10EP1104A01PE13	EP,MACH W/E-COAT & MG1025G02	1.000 EA
HW4500A20	1/8NPT SL PIPE PLUG	2.000 EA
MJ1000A02	GREASE, POLYREX EM EXXON (USe 4824-15A)	0.130 LB
HW4500A20	1/8NPT SL PIPE PLUG	3.000 EA
09FN3001C02	EXTERNAL FAN, PLASTIC	1.000 EA
HW2500A25	WOODRUFF KEY USA #1008 #BLOW CARBON STEE	1.000 EA
51XB1214A20	12-14X1.25 HXWSSLD SERTYB	1.000 EA
MG1025G02	WILKOFASST, 782.02, LIGHT GRAY	0.070 GA
85XU0407S04	4X1/4 U DRIVE PIN STAINLESS	2.000 EA
LB1119N	WARNING LABEL	1.000 EA
LC0006	CONNECTION LABEL	1.000 EA
NP1404E	SS UL CSA CC "AUTOMOTIVE"	1.000 EA
10PA1000	PACKAGING GROUP COMBINED PRINT PK1023A06	1.000 EA

MN416A01	TAG-INSTAL-MAINT no wire (1200/bx) 11/14	1.000 EA
----------	--	----------

Accessories		
Part Number	Description	Multiplier
10-1305	C FACE KIT	A8
10EP1502A01SP	D-FLANGE KIT	A8

AC Induction Motor Performance Data

Record # 49354 - Typical performance - not guaranteed values

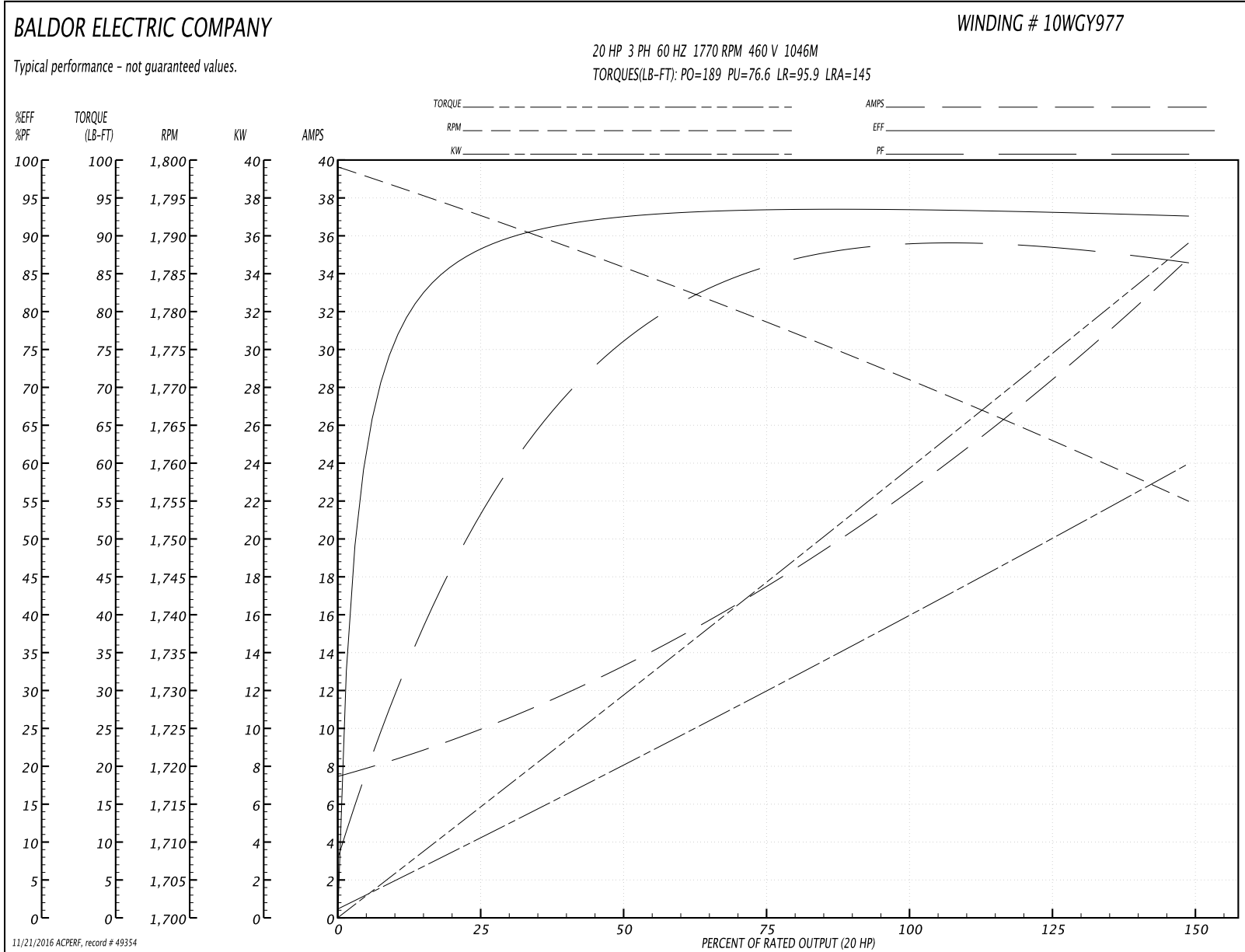
Winding: 10WGY977-R014	Type: 1046M	Enclosure: TEFC
-------------------------------	--------------------	------------------------

Nameplate Data				460 V, 60 Hz: Single Voltage Motor	
Rated Output (HP)	20			Full Load Torque	59.3 LB-FT
Volts	460			Start Configuration	direct on line
Full Load Amps	23			Breakdown Torque	189 LB-FT
R.P.M.	1770			Pull-up Torque	76.6 LB-FT
Hz	60	Phase	3	Locked-rotor Torque	95.9 LB-FT
NEMA Design Code	B	KVA Code	G	Starting Current	145 A
Service Factor (S.F.)	1			No-load Current	7.85 A
NEMA Nom. Eff.	93	Power Factor	84	Line-line Res. @ 25°C	0.368 Ω
Rating - Duty	65C AMB-CONT			Temp. Rise @ Rated Load	40°C
				Locked-rotor Power Factor	31.8
				Rotor inertia	3.66 LB-FT ²

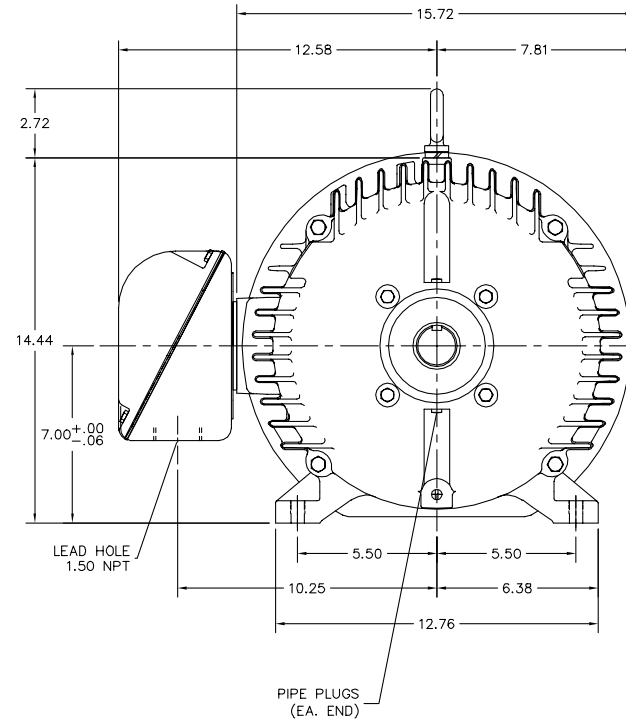
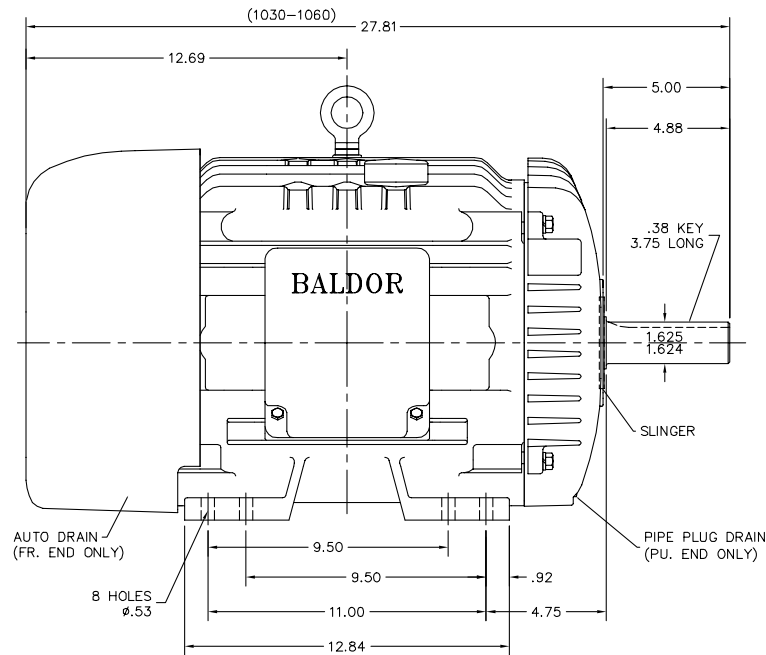
Load Characteristics 460 V, 60 Hz, 20 HP

% of Rated Load	25	50	75	100	125	150
Power Factor	57	78	85	87	88	87
Efficiency	88.4	92.3	93.5	93.5	93.3	92.6
Speed	1793	1785	1779	1771	1763	1755
Line amperes	9.5	13.1	17.7	22.9	28.4	34.6

Performance Graph at 460V, 60Hz, 20.0HP Typical performance - Not guaranteed values



10L.YM036



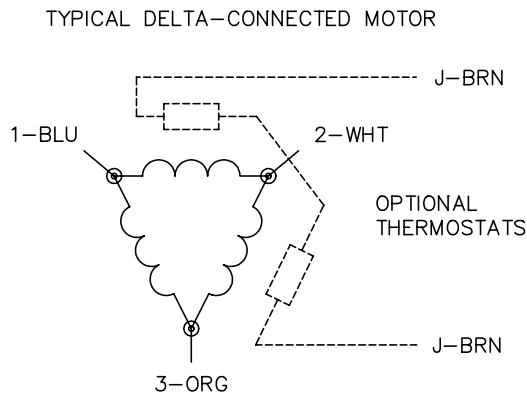
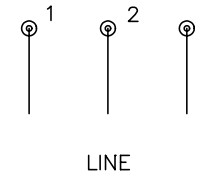
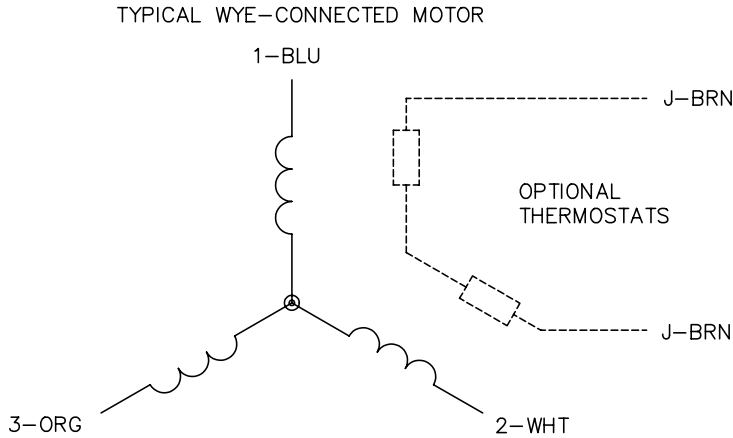
10L.YM036

CUSTOMER IS RESPONSIBLE FOR DETERMINING THAT BALDOR'S PRODUCT WILL PERFORM SUITABLY IN THE INTENDED APPLICATION.

REV. DESC: REPLACED 10FH1007A01P WITH 10FH1007P	VERSION: 02	TDR: 000000492663
REV. LTR: H	REVISOR: ENGAMGO	BY: ENGAMGO
FILE: \AAA\00008\913	REVISED: 14:26:14 03/06/2009	
MTL: -		

BALDOR • DODGE • RELIANCE
 HORZ TEFC 284-6U GM SPECS.
 SH 1 of 1

CD0006



NOTES:

1. THREE LEAD MOTOR MAY BE EITHER WYE CONNECTED OR DELTA CONNECTED.
2. INTERCHANGE ANY TWO LINE LEADS TO REVERSE ROTATION.
3. OPTIONAL THERMOSTATS ARE PROVIDED WHEN SPECIFIED.
4. ACTUAL NUMBER OF INTERNAL PARALLEL CIRCUITS MAY VARY.
5. LEAD COLORS ARE OPTIONAL. LEADS MUST BE NUMBERED AS SHOWN.

REV. DESC: REVISE TO SHOW OPTIONAL COLORS			
REV. LTR: D	BY: JLP	REVISED: 01/21/99 4:02	TDR: 0171435
9000D		FILE: AAA00005141	MDL: -
		MTL: -	

BALDOR ELECTRIC Co.

3PH, SV, 3 LEADS, WYE OR DELTA CONNECTED

CD0006