

BALDOR® • RELIANCE

Product Information Packet

BNM3542-D

.75HP, 1750RPM, 3PH, 60HZ, 56, 3514M, TENV, F3

Part Detail							
Revision:	Q	Status:	PRD/A	Change #:		Proprietary:	No
Type:	AC	Prod. Type:	3514M	Elec. Spec:	35WGP672	CD Diagram:	CD0005
Enclosure:	TENV	Mfg Plant:		Mech. Spec:	35X056	Layout:	35LYX056
Frame:	56	Mounting:	F3	Poles:	04	Created Date:	11-05-2008
Base:	RG	Rotation:	R	Insulation:	F	Eff. Date:	10-28-2016
Leads:	9#18					Replaced By:	
Literature:		Elec. Diagram:					

Nameplate NP1372L											
CAT.NO.	BNM3542-D										
SPEC.	35X056P672G1										
HP	.75										
VOLTS	208-230/460										
AMP	3-2.8/1.4										
RPM	1750										
FRAME	56					HZ	60		PH	3	
SER.F.	1.15					CODE	M	DES	B	CL	F
NEMA-NOM-EFF	78.5					PF	66				
RATING	40C AMB-CONT										
CC									USABLE AT 208V		
DE	6205					ODE	6203				
ENCL	TENV					SN					
	IP44										

Parts List		
Part Number	Description	Quantity
SA177218	SA 35X056P672G1	1.000 EA
RA165264	RA 35X056P672G1	1.000 EA
NS2512A01	INSULATOR, CONDUIT BOX X	1.000 EA
35CB4007	KOBX,W/PRIMER (REL# 79097-49-C)	1.000 EA
35GS3009	GASKET, KOBX 35CB4006 (411881-15A)	1.000 EA
WD4101A13	STEEL CAPLUG,BP-1 1/8, PLUG D3561S	1.000 EA
51XB1016A05	10-16X5/16HX WA SL SR TYB (F/S)	2.000 EA
11XW1032G06	10-32 X .38, TAPTITE II, HEX WSHR SLTD U	1.000 EA
HW3001B01	BRASS CUP WASHER, FOR #8 SCREW	1.000 EA
35EP3900T25	FR EP FACE MNT ENCL FOR BRAKE	1.000 EA
HW5100A03SP	WAVY WASHER (W1543-017)	1.000 EA
35EP3101A02SP	STD PU ENDPLATE-ENCL-205 BRG LESS GREASE	1.000 EA
XY1032A02	10-32 HEX NUT DIRECTIONAL SERRATION	4.000 EA
10XN3816K64	3/8-16X4 HX HD CAP SCREW, GRADE 5	4.000 EA
HW1001A38	LOCKWASHER 3/8, ZINC PLT .688 OD, .382 I	4.000 EA
BR2006B01	DBSC SPLINED HUB 5/8 BOR	1.000 EA
35CB4519	CB LID RAW & UNPRIMED, REL# 79097-50-B	1.000 EA
35GS3020	NEOPRENE GASKET, KOBX LID (602018-31)	1.000 EA
51XW0832A07	8-32 X .44, TAPTITE II, HEX WSHR SLTD SE	4.000 EA
WD4006A01	WIRE JOINT,T&B RB-4 OR RB-44	1.000 EA
HW2501D13	KEY, 3/16 SQ X 1.375	1.000 EA
HA7000A04	KEY RETAINER 0.625 DIA SHAFTS	1.000 EA
85XU0407S04	4X1/4 U DRIVE PIN STAINLESS	2.000 EA
LB1419	CONNECTION LABEL	1.000 EA

Parts List (continued)		
Part Number	Description	Quantity
MJ1000A02	GREASE, POLYREX EM EXXON (USe 4824-15A)	0.050 LB
MG1000N49	MUNSELL 8.5BG 3.57/2.0, GLOSS 30, B/G,	0.017 GA
HA3100A15	THRUBOLT 10-32 X 8.375	4.000 EA
46BK0204B01	DBSC-VP-6-MA-230/460 VAC	1.000 EA
LB1119N	WARNING LABEL	1.000 EA
MN416A01	TAG-INSTAL-MAINT no wire (1200/bx) 11/14	1.000 EA
LC0005	CONN.DIA.,TY M,9-LD,DUAL VOLT,REVERSING	1.000 EA
NP1372L	ALUM UL CSA CE CC	1.000 EA
36PA1001	PKG GRP, PRINT PK1017A06	1.000 EA
PK3082	STYROFOAM CRADLE	1.000 EA

AC Induction Motor Performance Data

Record # 27940 - Typical performance - not guaranteed values

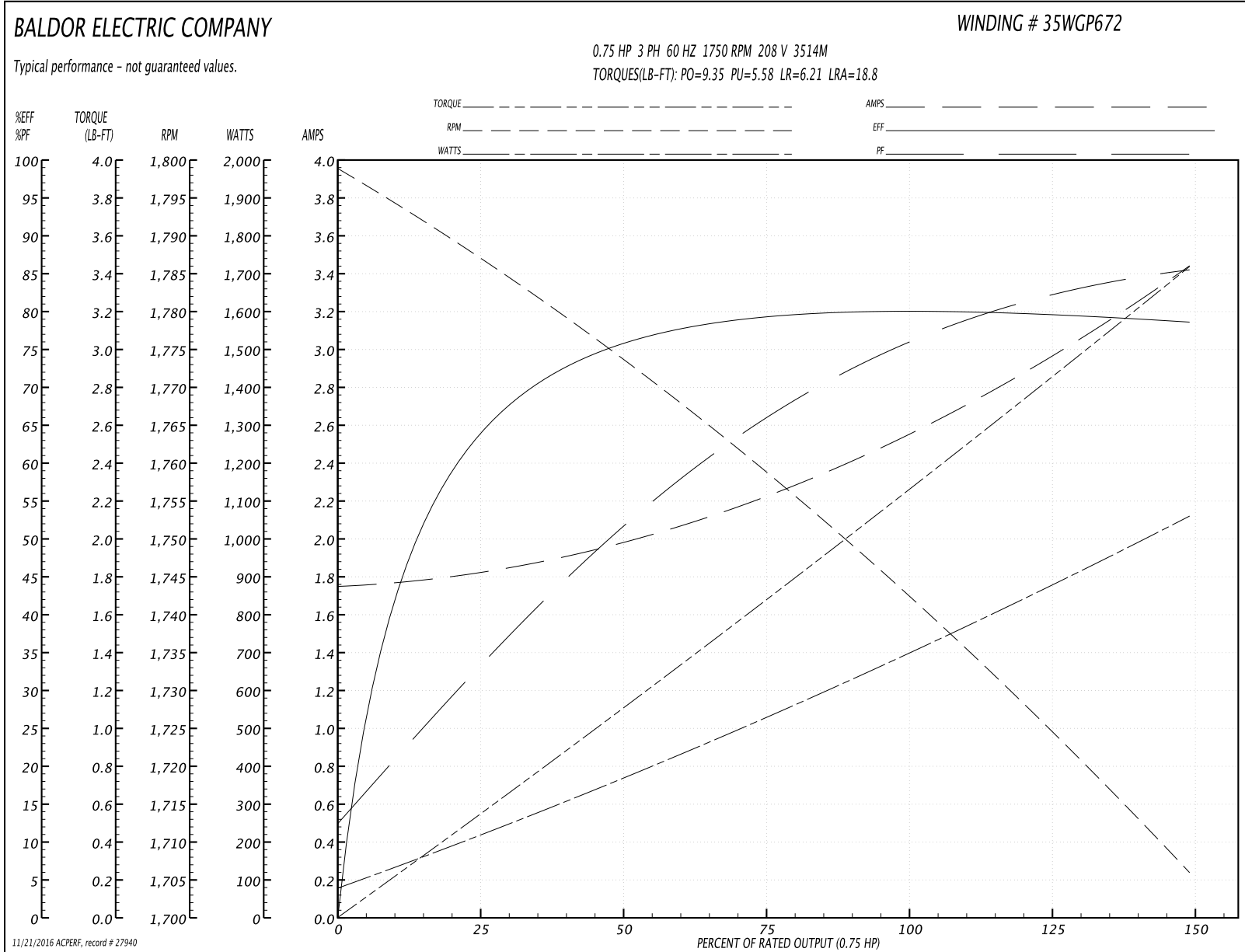
Winding: 35WGP672-R009	Type: 3514M	Enclosure: TENV
-------------------------------	--------------------	------------------------

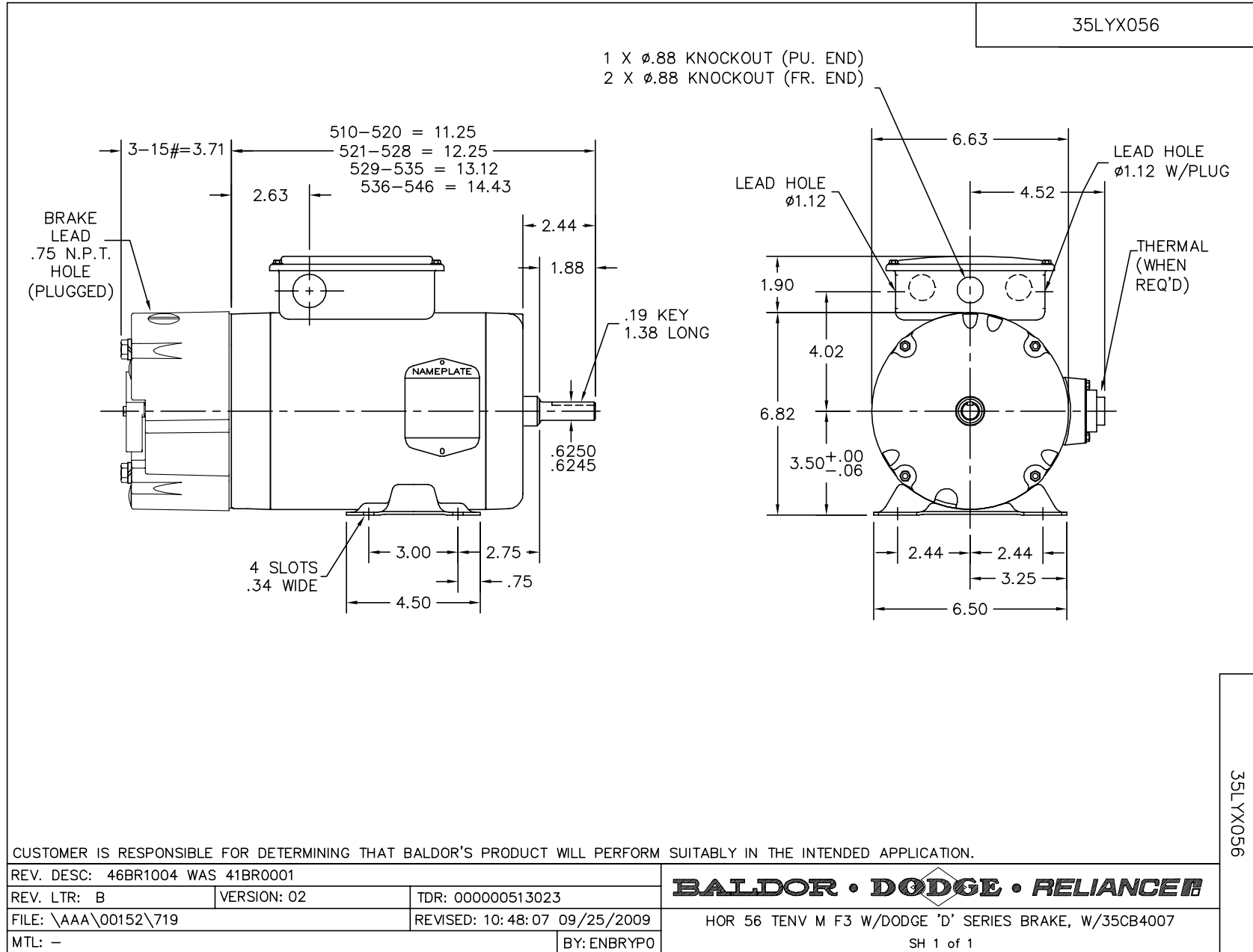
Nameplate Data				208 V, 60 Hz: Low Voltage Connection	
Rated Output (HP)	.75			Full Load Torque	2.27 LB-FT
Volts	208-230/460			Start Configuration	direct on line
Full Load Amps	3-2.8/1.4			Breakdown Torque	9.35 LB-FT
R.P.M.	1750			Pull-up Torque	5.58 LB-FT
Hz	60	Phase	3	Locked-rotor Torque	6.21 LB-FT
NEMA Design Code	B	KVA Code	M	Starting Current	18.8 A
Service Factor (S.F.)	1.15			No-load Current	1.76 A
NEMA Nom. Eff.	78.5	Power Factor	66	Line-line Res. @ 25°C	5.47 Ω
Rating - Duty	40C AMB-CONT			Temp. Rise @ Rated Load	69°C
S.F. Amps				Temp. Rise @ S.F. Load	82°C
				Locked-rotor Power Factor	68
				Rotor inertia	0.0827 LB-FT ²

Load Characteristics 208 V, 60 Hz, 0.75 HP

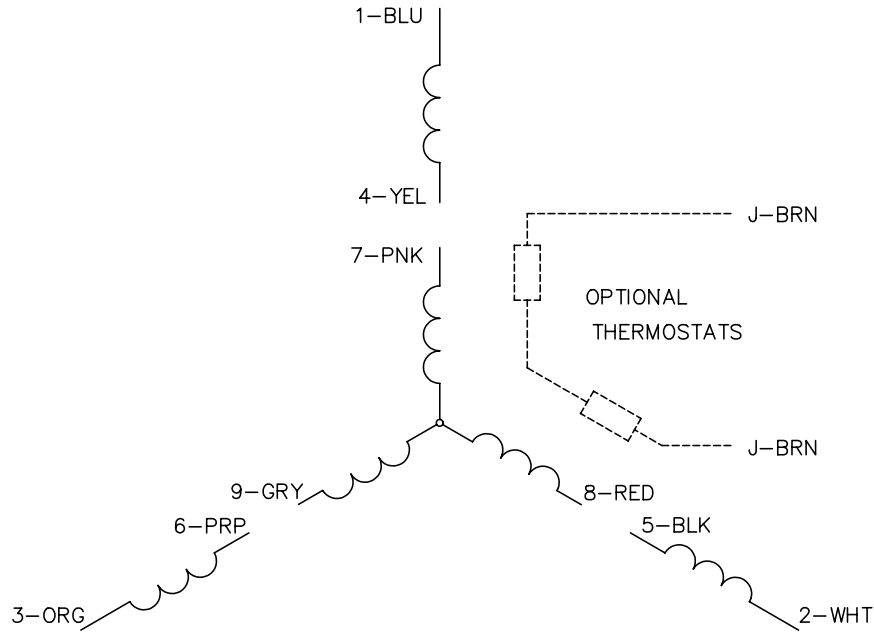
% of Rated Load	25	50	75	100	125	150	S.F.
Power Factor	34	53	66	75	82	86	79
Efficiency	63.3	75.2	79.3	80.5	79.6	78.5	80
Speed	1787	1773	1760	1742	1724	1706	1731
Line amperes	1.81	1.98	2.21	2.57	2.99	3.43	2.82

Performance Graph at 208V, 60Hz, 0.75HP Typical performance - Not guaranteed values

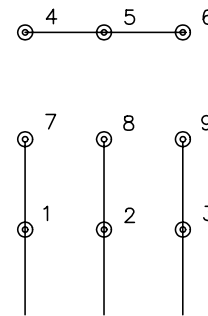




CD0005

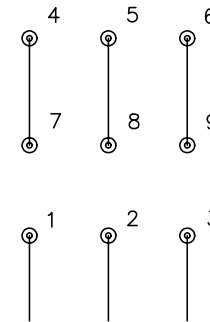


LOW VOLTAGE
(2Y)



LINE

HIGH VOLTAGE
(1Y)



LINE

NOTES:

1. INTERCHANGE ANY TWO LINE LEADS TO REVERSE ROTATION.
2. OPTIONAL THERMOSTATS ARE PROVIDED WHEN SPECIFIED.
3. ACTUAL NUMBER OF INTERNAL PARALLEL CIRCUITS MAY BE A MULTIPLE OF THOSE SHOWN ABOVE.
4. LEAD COLORS ARE OPTIONAL. LEADS MUST ALWAYS BE NUMBERED AS SHOWN.

REV. DESC: REVISE TO SHOW OPTIONAL COLORS			
REV. LTR: E	BY: JLP	REVISED: 01/19/99 10:15	TDR: 0171435
9000D		FILE: AAA00005140	MDL: -
		MTL: -	

BALDOR ELECTRIC Co.

3PH, DV, 9 LEADS

CD0005