

BALDOR® • **RELIANCE**

Product Information Packet

CDP3330

.5HP, 1750RPM, DC, 56C, 3336P, TENV, F1

Part Detail							
Revision:	V	Status:	PRD/A	Change #:		Proprietary:	No
Type:	DC	Prod. Type:		Elec. Spec:	33WGZ122	CD Diagram:	CD0194
Enclosure:	TENV	Mfg Plant:		Mech. Spec:	33-2024	Layout:	33LY2024
Frame:	56C	Mounting:	F1	Poles:	///	Created Date:	
Base:	RG	Rotation:	R	Insulation:	F	Eff. Date:	05-27-2011
Field Type:		Literature:		Elec. Diagram:		Replaced By:	

Nameplate NP0891L			
CAT.NO.	CDP3330		
SPEC.	33-2024Z122		
HP	.5	ENCL	TENV
RPM	1750		
FRAME	56C	TYPE	3336P
ARM V	90	ARM A	4.8
FLD V		FLD A	
INSUL	F	AMB.	40
DUTY	CONT	SUPPLY	1.3
BRG/DE	6203	BRG/ODE	6203
BRUSHES	2/BP5011T01		
SER.		BLANK	
BLANK			
APRV-CE	<input type="checkbox"/> Y	APRV-CSA	<input type="checkbox"/> Y
		APRV-UL	<input type="checkbox"/> Y

Parts List		
Part Number	Description	Quantity
SA005026	SA 33-2024Z122	1.000 EA
AA002675	AA 33-2024Z122	1.000 EA
BP5011T01SP	CARBON BRUSH - 33P, 90V	1.000 EA
BP5012A04SP	BRUSH SPRING FOR DC MOTORS	1.000 EA
33CB5000A03	33P BOX & LEAD ASSY	1.000 EA
33GS1006A01	GASKET CONDUIT BOX (LEXIDE)	1.000 EA
51XT0832A08	8-32 X 1/2 TY23 HXWS SLDSR	3.000 EA
51XW0832G07	8-32 X 7/16 TY23 HXWS SLDSR GR	1.000 EA
HW3001B01	BRASS CUP WASHER, FOR #8 SCREW	1.000 EA
51XW0832A07	8-32 X .44, TAPTITE II, HEX WSHR SLTD SE	4.000 EA
33EP3101A04	FR ENDPLATE, MACH	1.000 EA
33CB4501A01SP	BRUSH INSPECTION COVER	2.000 EA
33GS1005A01	GASKET, BRUSH INSP. COVERELECTRICLY NON-	2.000 EA
51XW0832A07	8-32 X .44, TAPTITE II, HEX WSHR SLTD SE	4.000 EA
HW5100A03SP	WAVY WASHER (W1543-017)	1.000 EA
33EP3302A10	PU ENDPLATE, MACH	1.000 EA
51XN1032A20	10-32 X 1 1/4 HX WS SL SR	2.000 EA
HA6887	SHAFT PROTECTOR STAMPED STEEL 20 GA.	1.000 EA
10XN2520A06	1/4 20X3/8 HX HD CAP	2.000 EA
34CB4512	34 CB LID	1.000 EA
34GS1001	GASKET, STD CONDUIT BOX LID (LEXIDE)	1.000 EA
51XW0832A07	8-32 X .44, TAPTITE II, HEX WSHR SLTD SE	4.000 EA
HW2501D13	KEY, 3/16 SQ X 1.375	1.000 EA
HA7000A04	KEY RETAINER 0.625 DIA SHAFTS	1.000 EA

Parts List (continued)		
Part Number	Description	Quantity
MG1000G27	MED CHARCOAL METALLIC GREY 400-0096	0.013 GA
10XF0440S02	04-40 X 1/8 TYPE F HEX HD STAINLESS STIC	2.000 EA
33RK5004SP	ROCKERARM	1.000 EA
HA3100S03	THRUBOLT- 10-32 X 10.625 302 OR 303 SS	2.000 EA
LB1119N	WARNING LABEL	1.000 EA
LC0194	CONNECTION LABEL	1.000 EA
MN416A01	TAG-INSTAL-MAINT no wire (1200/bx) 11/14	1.000 EA
NP0891L	NP STD LASER ENGRAVED DC MTRS, UL CSA CE	1.000 EA
27PA1001	PKG GRP, PRINT PK1027A06	1.000 EA

Accessories		
Part Number	Description	Multiplier
TK3300	TACHO MOUNTING KIT TK3300	A8
TK3300-HPU	HPU10 MOUNTING KIT 33P/34P TENV	

DC Motor Performance Data

Record # 216 - Typical performance - not guaranteed values

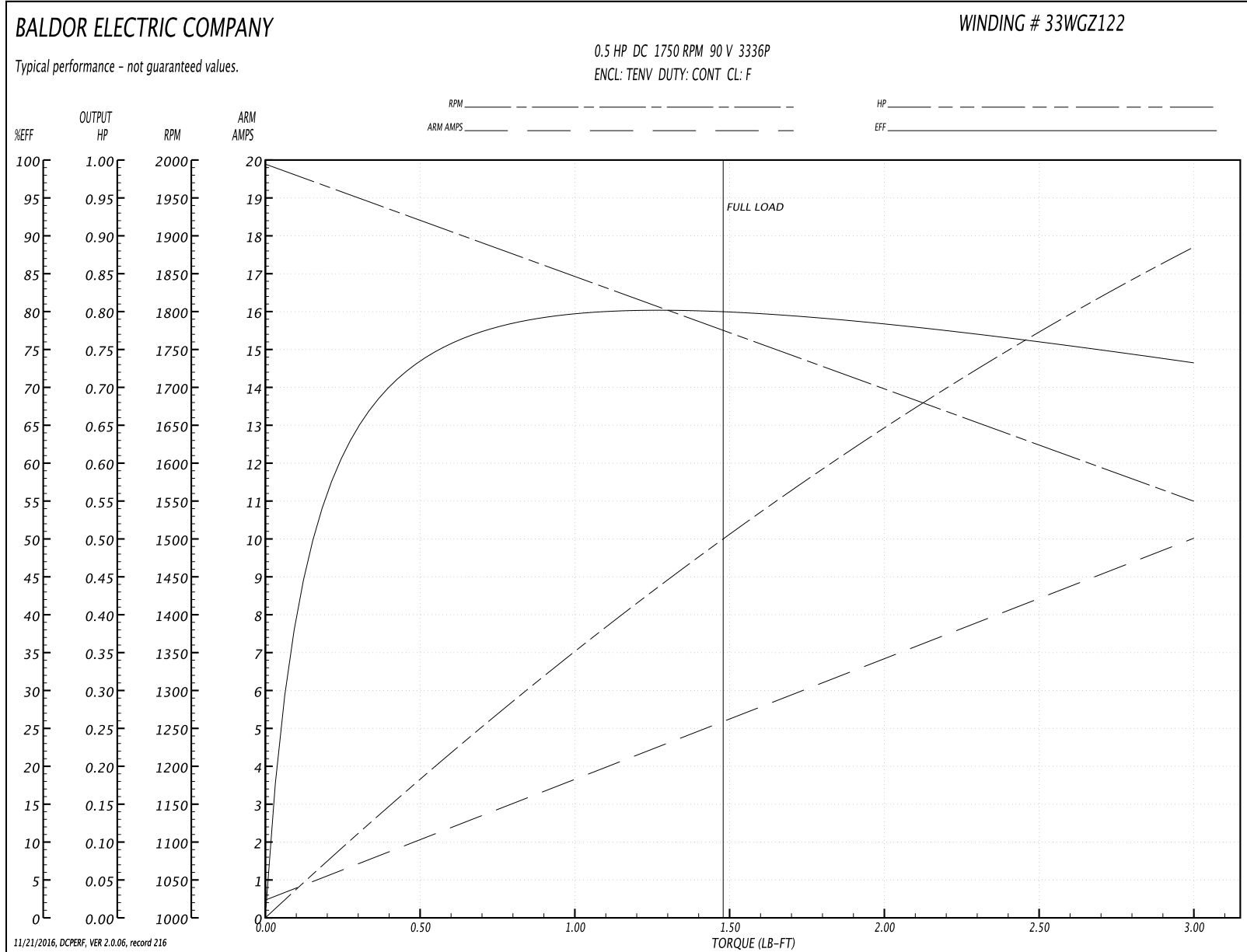
Winding: 33WGZ122-R001	Type: 3336P	Enclosure: TENV
-------------------------------	--------------------	------------------------

Nameplate Data		General Characteristics	
Rated Output (HP)	0.5	Armature Resistance @ 25°C	1.22 Ω
R.P.M.	1750		
Armature Volts	90		
Armature Amps	4.8		
Field Volts		Armature Inductance	15.574 mH
Field Amps			
Rating - Duty	40C AMB-CONT		
Form Factor	1.3	Maximum allowable inrush amps	44

Load Characteristics at 90 Armature Volts

Load Point	1	2	3	4	5	6	7
Armature Amps	0.474	2.065	3.656	5.247	6.838	8.429	10.02
R.P.M.	1995	1920	1846	1772	1698	1624	1550
Torque (LB-FT)	0	0.5	1	1.5	2	2.5	3

Performance Graph at 90.0 Arm V, 0.5HP Typical performance - Not guaranteed values



DC Motor Performance Data

Record # 515 - Typical performance - not guaranteed values

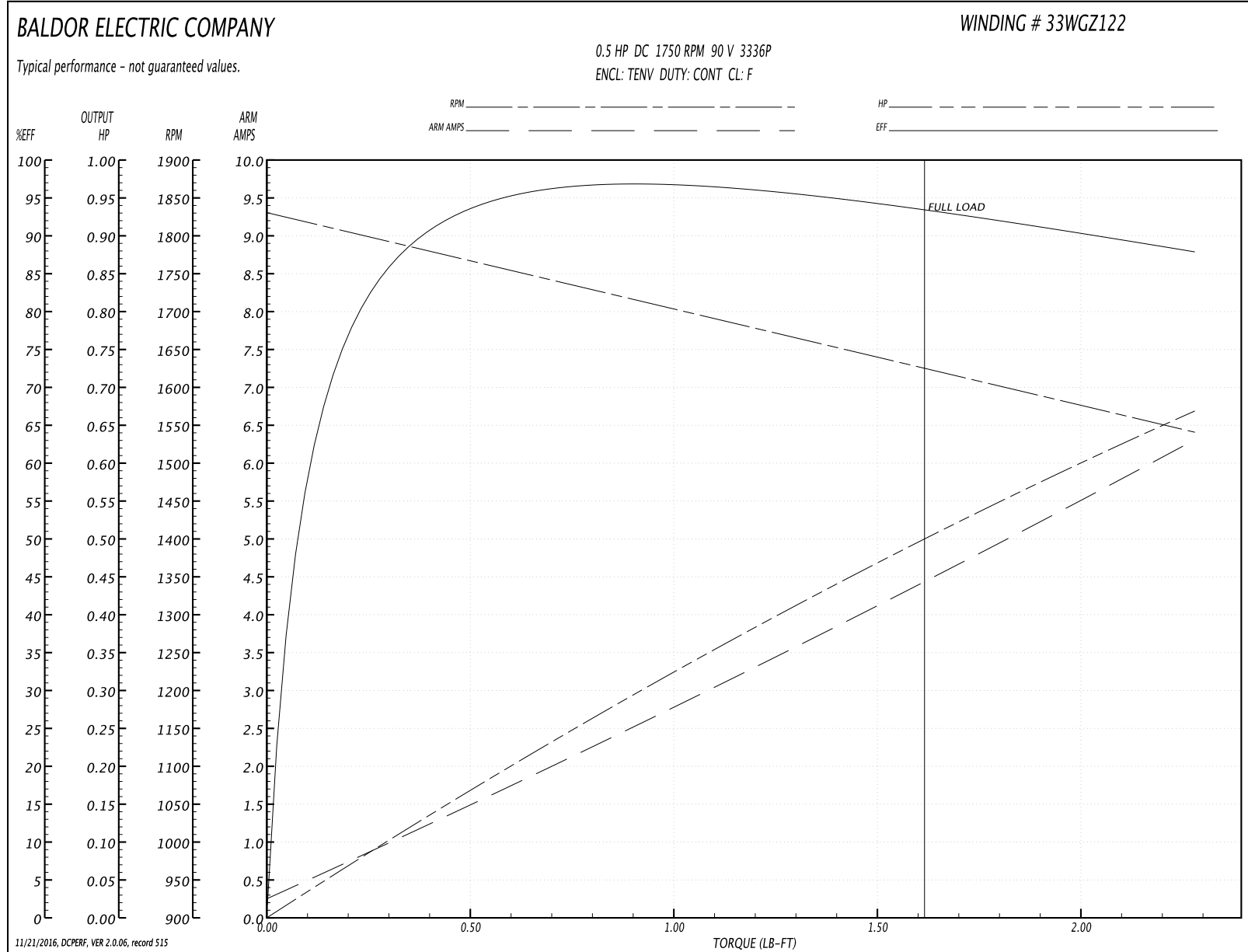
Winding: 33WGZ122-R001	Type: 3336P	Enclosure: TENV
-------------------------------	--------------------	------------------------

Nameplate Data		General Characteristics	
Rated Output (HP)	0.5	Armature Resistance @ 25°C	1.2779 Ω
R.P.M.	1750		
Armature Volts	90		
Armature Amps	4.8		
Field Volts		Armature Inductance	15.798 mH
Field Amps			
Rating - Duty	40C AMB-CONT		
Form Factor	1.3		

Load Characteristics at 90 Armature Volts

Load Point	1	2	3	4	5	6	7
Armature Amps	0.24	1.25	2.1	3.15	4.05	5.36	6.25
R.P.M.	1835	1793	1721	1672	1648	1584	1549
Torque (LB-FT)	0	0.38	0.76	1.14	1.5	1.9	2.28

Performance Graph at 90.0 Arm V, 0.5HP Typical performance - Not guaranteed values



DC Motor Performance Data

Record # 516 - Typical performance - not guaranteed values

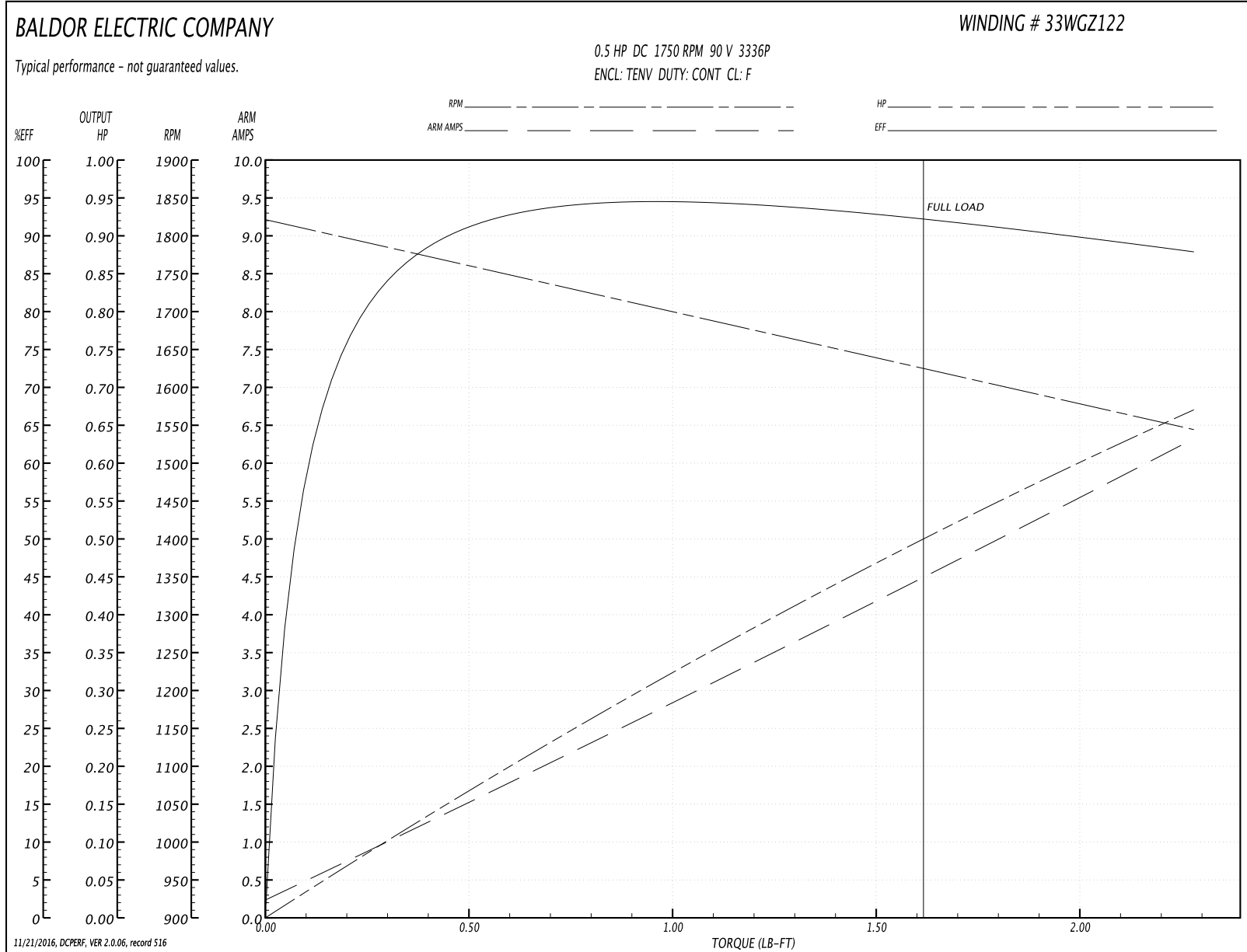
Winding: 33WGZ122-R001	Type: 3336P	Enclosure: TENV
-------------------------------	--------------------	------------------------

Nameplate Data		General Characteristics	
Rated Output (HP)	0.5	Armature Resistance @ 25°C	1.2525 Ω
R.P.M.	1750		
Armature Volts	90		
Armature Amps	4.8		
Field Volts		Armature Inductance	15.413 mH
Field Amps			
Rating - Duty	40C AMB-CONT		
Form Factor	1.3		

Load Characteristics at 90 Armature Volts

Load Point	1	2	3	4	5	6	7
Armature Amps	0.24	1.15	2.35	3.16	4.07	5.37	6.3
R.P.M.	1835	1770	1723	1683	1624	1588	1559
Torque (LB-FT)	0	0.38	0.76	1.14	1.5	1.9	2.28

Performance Graph at 90.0 Arm V, 0.5HP Typical performance - Not guaranteed values



DC Motor Performance Data

Record # 1619 - Typical performance - not guaranteed values

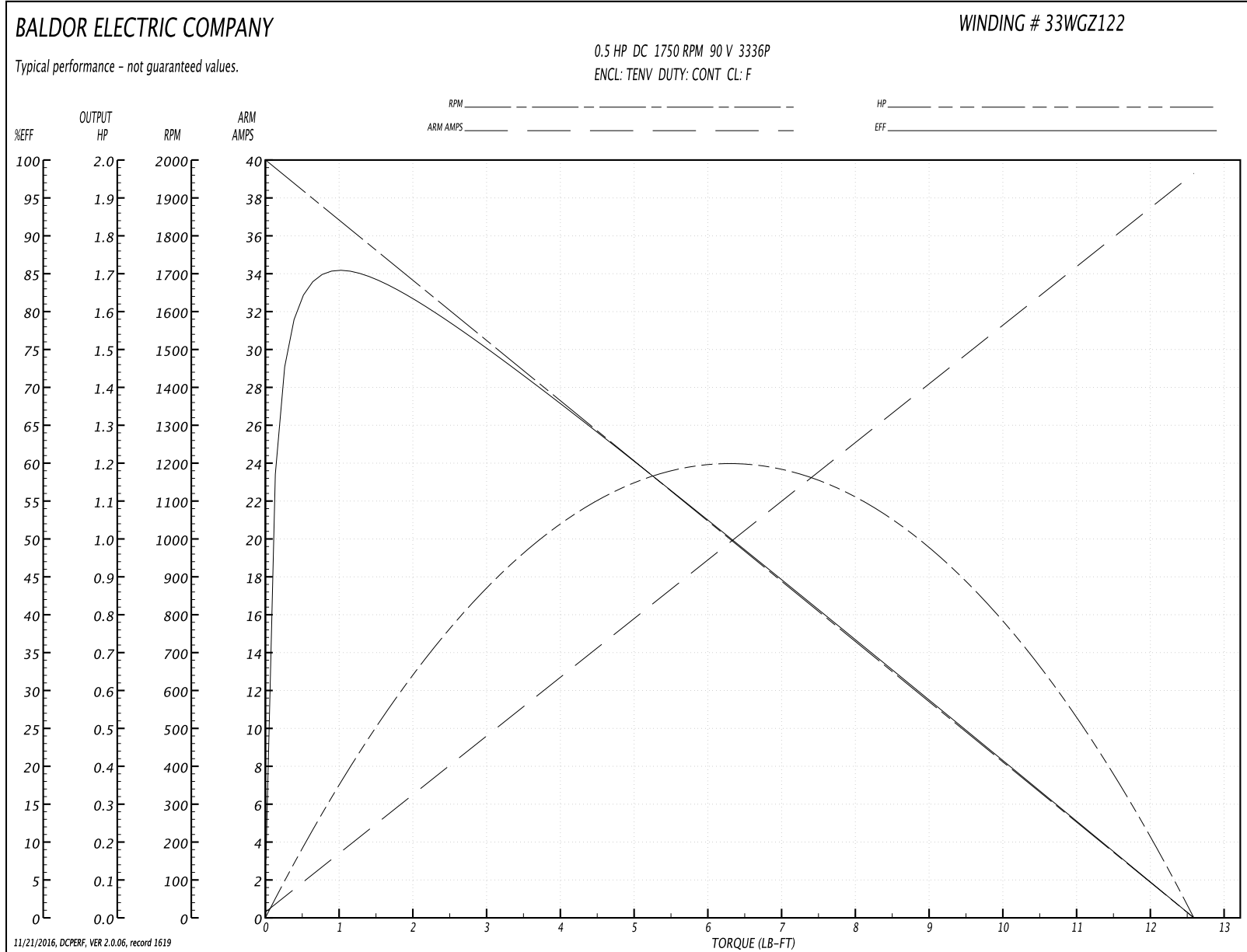
Winding: 33WGZ122-R001	Type: 3336P	Enclosure: TENV
-------------------------------	--------------------	------------------------

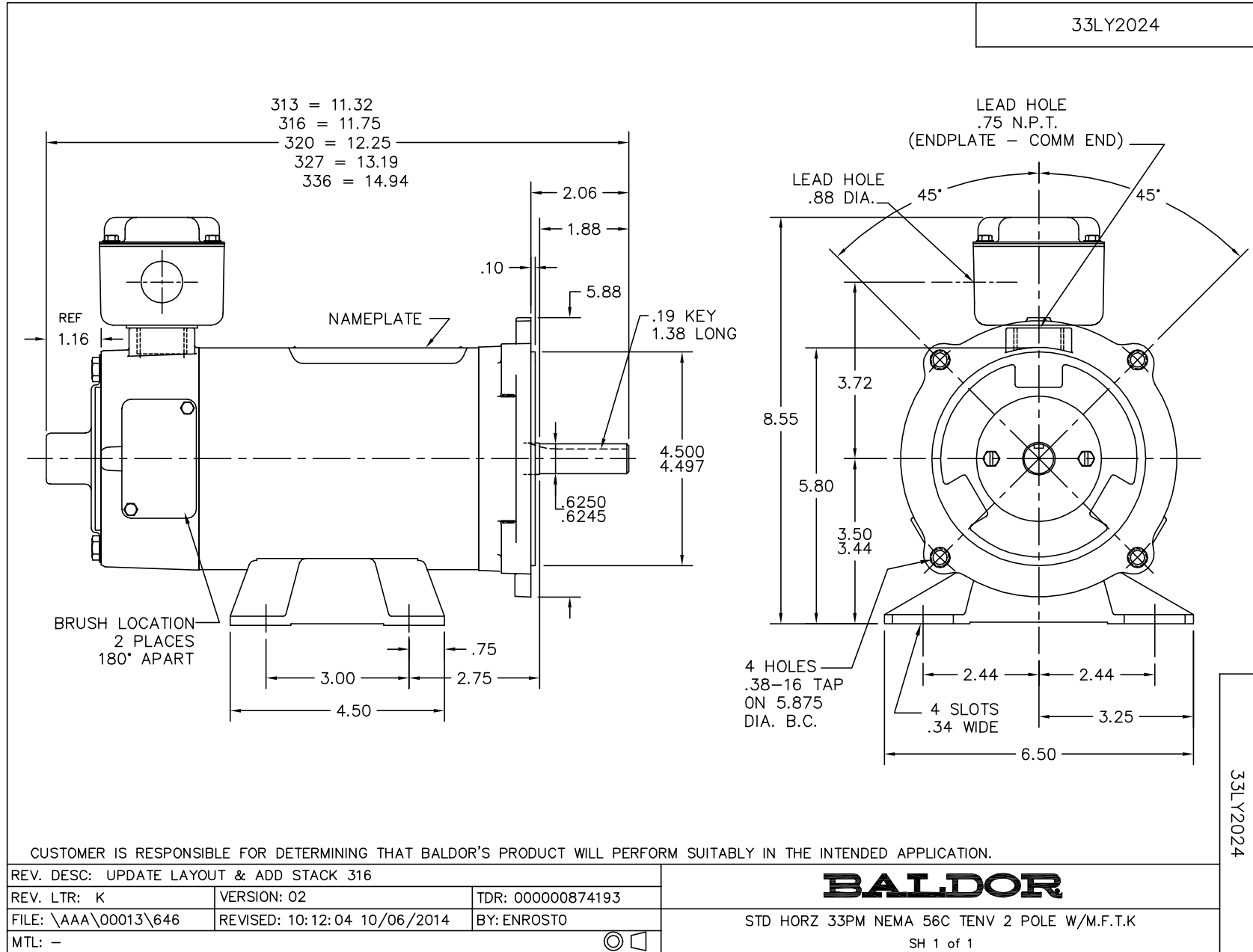
Nameplate Data		General Characteristics	
Rated Output (HP)	0.5	Armature Resistance @ 25°C	1.22 Ω
R.P.M.	1750		
Armature Volts	90		
Armature Amps	4.8		
Field Volts		Armature Inductance	15.574 mH
Field Amps			
Rating - Duty	40C AMB-CONT		
Form Factor	1.3	Maximum allowable inrush amps	44

Load Characteristics at 90 Armature Volts

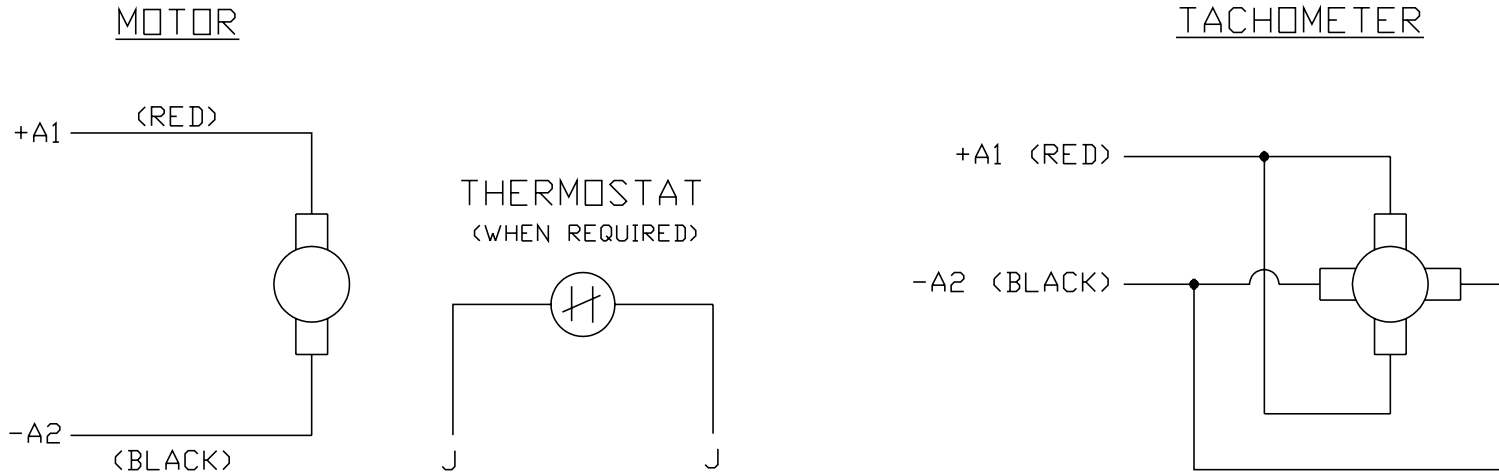
Load Point	1	2	3	4	5	6	7
Armature Amps	0.32	6.51	12.7	18.89	25.08	31.28	39.3
R.P.M.	2000	1682	1365	1047	729	412	0.1
Torque (LB-FT)	0	2	4	6	8	10	12.59

Performance Graph at 90.0 Arm V, 0.5HP Typical performance - Not guaranteed values





CD0194



NOTES:

1. CCW ROTATION AS SHOWN FACING COMMUTATOR END. TO REVERSE MOTOR ROTATION OR TACHOMETER OUTPUT POLARITY INTERCHANGE LEADS A1(RED) & A2(BLACK)
2. LEAD COLORS FOR REFERENCE ONLY & NOT SPECIFIED BY THIS DRAWING. LEAD COLORS SPECIFIED BY LAYOUT DRAWING & BILL OF MATERIAL ONLY.

MATL: -			
REV:	E	ADDED NOTE "LEAD COLORS FOR REFERENCE ONLY &..."	
#61000		SCALE: -	BY: CK
CD0194		REVISED: 07/28/95	TDR: 0078737
		FILE: AAA00004503	

BALDOR ELECTRIC Co.

CD TYPE P DC PERMANENT MAGNET MOTORS AND TACHOMETERS

CD0194