

# **BALDOR**® • *RELIANCE*

## Product Information Packet

# CECP4107T

25HP,3520RPM,3PH,60HZ,284TSC,1048M,TEFC

Part Detail							
Revision:	F	Status:	PRD/A	Change #:		Proprietary:	No
Type:	AC	Prod. Type:	1048M	Elec. Spec:	10WGZ273	CD Diagram:	CD0180
Enclosure:	TEFC	Mfg Plant:		Mech. Spec:	10H406	Layout:	10LYH406
Frame:	284TSC	Mounting:	F1	Poles:	02	Created Date:	05-08-2014
Base:	RG	Rotation:	R	Insulation:	F	Eff. Date:	03-04-2016
Leads:	9#10					Replaced By:	
Literature:		Elec. Diagram:					

Nameplate NP3241									
CAT.NO.	CECP4107T	P/N		ENCLOSURE	TEFC				
SPEC.	10H406Z273	CC	010A	FRAME	284TSC	S/N			
HP	25	CLASS	F	HZ	60	DES	B		
RPM	3520	RPM MAX	5400	PH	3	KVA-CODE	F		
VOLT	230/460	MOTOR WEIGHT	396						
AMP	56/28	SER.F.	1.15	PF	90	ODE BRG	6311	DE BRG	6311
RATING	40C AMB-CONT	NEMA-NOM-EFF	91.7	GREASE	POLYREX EM				
				INV.TYPE	PWM				
TEMP CODE	T3	INVERTER-TEMP-CODE	200						
TEMP =	200	C HP FR	60	C HP TO	90				
CT HZ FROM	6	CT HZ TO	60						
HTR-VOLTS		HTR-AMPS		HTR-WATTS		MAX. SPACE HEATER TEMP.		VT HZ FROM	3
								VT HZ TO	60

Parts List		
Part Number	Description	Quantity
SA280826	SA 10H406Z273	1.000 EA
RA267326	RA 10H406Z273	1.000 EA
37FN3002C03	EXFN, PLASTIC, 6.00 OD, 1.690 ID	1.000 EA
10CB1000A09E	CONDUIT BOX, MACH W/E-COAT	1.000 EA
09GS1010	GASKET, DWG, LEADWIRE SEPERATOR	1.000 EA
10XN3118K16	5/16-18 X 1' GRADE #5, STL, ZINC PLATE	4.000 EA
HW1001A31	LOCKWASHER 5/16, ZINC PLT.591 OD, .319 I	4.000 EA
WD1000B16	T&B CX70TN TERMINAL	1.000 EA
10XN2520K06	1/4-20 X 3/8" HX HD SCREWGRADE 5, ZINC P	1.000 EA
HW1001A25	LOCKWASHER 1/4, ZINC PLT .493 OD, .255 I	1.000 EA
10XN3816K28	3/8-16 X 1.75 HEX HD CAP SCREW, GRADE 5	4.000 EA
HW1001A38	LOCKWASHER 3/8, ZINC PLT .688 OD, .382 I	4.000 EA
HA1005A26	SLINGER, OD 3.00, ID 1.75, 309 BRG	1.000 EA
HW4500A20	1/8NPT SL PIPE PLUG	1.000 EA
HW5100A13	W4627-047 WVY WSHER	1.000 EA
HA4017A11	1/8 X 2.75 GREASE EXT (F/S)	1.000 EA
HA4017A03	.125 X 1.75 GREASE EXT (F/S)	1.000 EA
HW4019A01	PIPE COUPLING 1/8 NPT,STEEL,ZINC COATING	1.000 EA
10XN3118K36	5/16-18 X 2.25" HEX HD, GRADE 5	4.000 EA
10EP1305A117E	PU ENDPLATE, MACH W/E-COAT	1.000 EA
10XN3816K28	3/8-16 X 1.75 HEX HD CAP SCREW, GRADE 5	4.000 EA
HW1001A38	LOCKWASHER 3/8, ZINC PLT .688 OD, .382 I	4.000 EA
HW4500A20	1/8NPT SL PIPE PLUG	1.000 EA
HW4600B40	V-RING SLINGER 2.000 X 2.680 X .28 VITON	1.000 EA

<b>Parts List (continued)</b>		
<b>Part Number</b>	<b>Description</b>	<b>Quantity</b>
10XN3118K40	5/16-18 X 2.50" HEX HD, GRADE 5	4.000 EA
10FH1007P	FAN COVER, CAST W/EPOXY PRIMER	1.000 EA
10XN3118K24	5/16-18 X 1.50" HEX HD, GRADE 5	3.000 EA
HW1001A31	LOCKWASHER 5/16, ZINC PLT.591 OD, .319 I	3.000 EA
10CB1503A01P	CONDUIT BOX LIPPED LID, MACH W/EPXY PRMR	1.000 EA
14GS1003	GASKET CONDUIT BOX LID, NEOP	1.000 EA
10XN2520K16	1/4-20 X 1" HX HD SCRW GRADE 5, ZINC P	4.000 EA
HW1001A25	LOCKWASHER 1/4, ZINC PLT .493 OD, .255 I	4.000 EA
HW2501G18	SQUARE STEEL KEY .375 X 2.00 LONG	1.000 EA
MJ5001A27	32220KN GRAY SEALER *MIN BUY 4 QTS=1GAL	0.031 QT
MJ5001A14	DYNAPRO SEAL, CP MOTORS VC#2508050 (603	0.026 EA
10EP1110A44GE6	FREP, MACH W/E-COAT & MG1025N19	1.000 EA
HW4500A21	1618BALEMITE FITTING 825 UNIVERSAL	1.000 EA
HW4500A17	317400 ALEMITE GREASE RELIEF	1.000 EA
HA4054	SHORT T-DRAIN FITTING, .125" N.P.T.	1.000 EA
HA4051A00	PLASTIC CAP FOR GREASE FITTING	1.000 EA
MJ1000A02	GREASE, POLYREX EM EXXON (USe 4824-15A)	0.130 LB
HW4500A17	317400 ALEMITE GREASE RELIEF	1.000 EA
HW4500A03	GREASE FITTING, .125 NPT 1610(ALEMITE) 8	1.000 EA
HA4054	SHORT T-DRAIN FITTING, .125" N.P.T.	1.000 EA
HA4051A00	PLASTIC CAP FOR GREASE FITTING	1.000 EA
HW2500A25	WOODRUFF KEY USA #1008 #BLOW CARBON STEE	1.000 EA
51XB1214A20	12-14X1.25 HXWSSLD SERTYB	1.000 EA
MG1025N19	WILKOFAS, 778.50, RELIANCE BLUE-GREEN	0.070 GA

Product Information Packet: CECP4107T - 25HP,3520RPM,3PH,60HZ,284TSC,1048M,TEFC

85XU0407S04	4X1/4 U DRIVE PIN STAINLESS	4.000 EA
LB1115N	LABEL,LIFTING DEVICE (ON ROLLS)	1.000 EA
LB1119N	WARNING LABEL	1.000 EA
LC0181	CONNECTION LABEL	1.000 EA
NP3241	SS SUPER-E INV UL CSA-EEV PREM CC	1.000 EA
10PA1000	PACKAGING GROUP COMBINED PRINT PK1023A06	1.000 EA
LB1449	DIV-2/NEC WARNING LABEL	1.000 EA
MN416A01	TAG-INSTAL-MAINT no wire (1200/bx) 11/14	1.000 EA

**AC Induction Motor Performance Data**

Record # 47234 - Typical performance - not guaranteed values

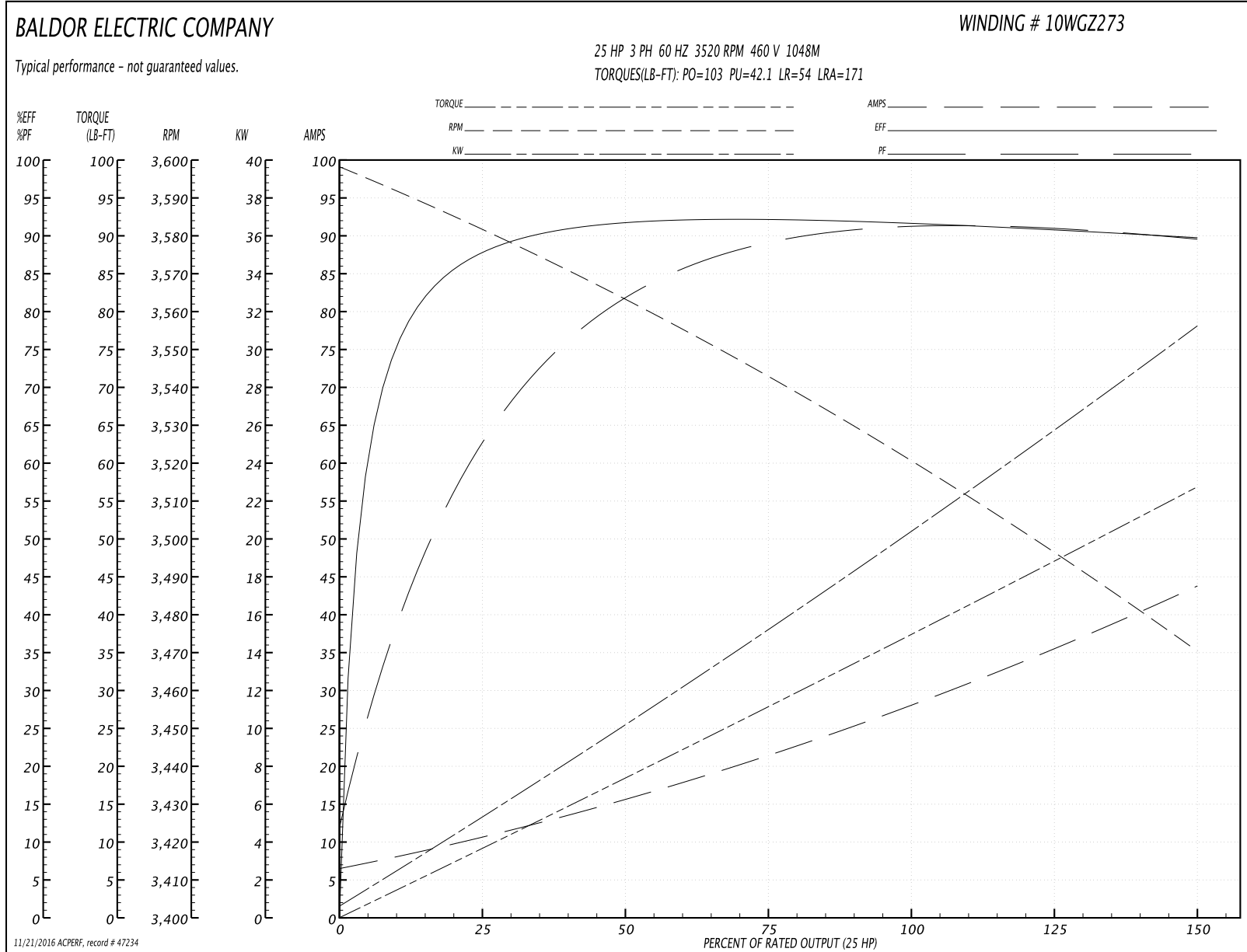
<b>Winding:</b> 10WGZ273-R002	<b>Type:</b> 1048M	<b>Enclosure:</b> TEFC
-------------------------------	--------------------	------------------------

Nameplate Data				460 V, 60 Hz: Single Voltage Motor	
Rated Output (HP)	25			Full Load Torque	37.3 LB-FT
Volts	230/460			Start Configuration	direct on line
Full Load Amps	56/28			Breakdown Torque	103 LB-FT
R.P.M.	3520			Pull-up Torque	42.1 LB-FT
Hz	60	Phase	3	Locked-rotor Torque	54 LB-FT
NEMA Design Code	B	KVA Code	F	Starting Current	171 A
Service Factor (S.F.)	1.15			No-load Current	6.99 A
NEMA Nom. Eff.	91.7	Power Factor	90	Line-line Res. @ 25°C	0.29072 Ω
Rating - Duty	40C AMB-CONT			Temp. Rise @ Rated Load	57°C
S.F. Amps				Temp. Rise @ S.F. Load	70°C

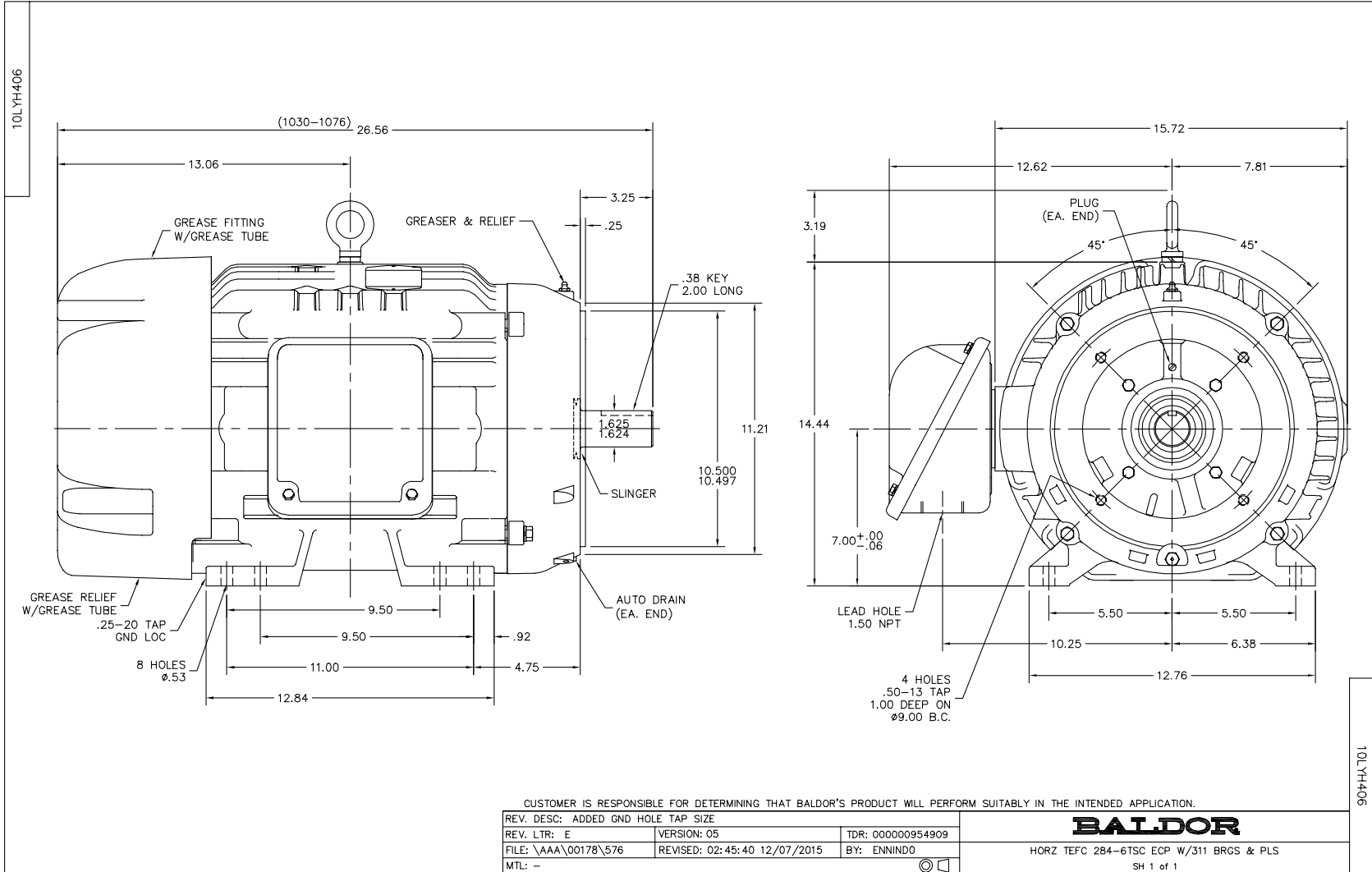
Load Characteristics 460 V, 60 Hz, 25 HP

% of Rated Load	25	50	75	100	125	150	S.F.
Power Factor	69	83	89	90	90	90	90
Efficiency	87.8	91.6	92.2	91.8	90.9	89.7	91.3
Speed	3580.1	3563.2	3542.7	3521.3	3497	3469.9	3507
Line amperes	10.1	15.4	21.7	28.3	35.7	43.5	32.7

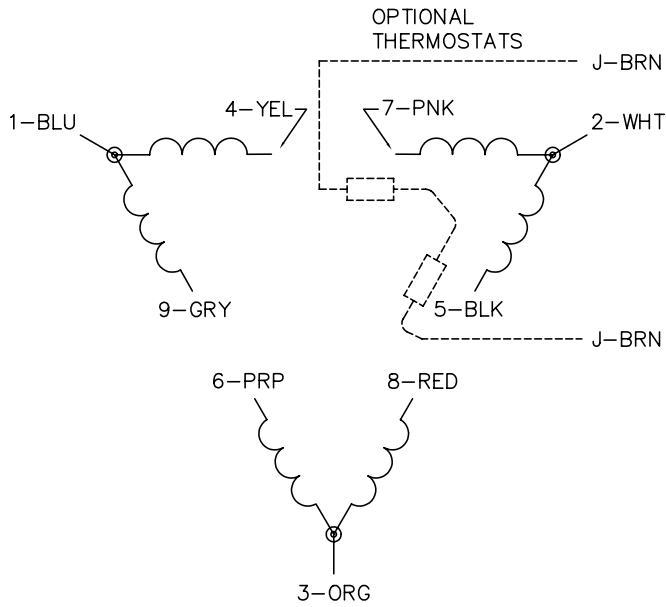
Performance Graph at 460V, 60Hz, 25.0HP Typical performance - Not guaranteed values







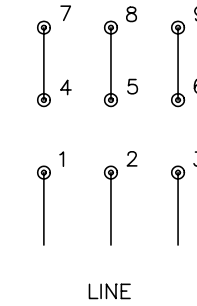
CD0180



LOW VOLTAGE  
(2D)



HIGH VOLTAGE  
(1D)



NOTES:

1. INTERCHANGE ANY TWO LINE LEADS TO REVERSE ROTATION.
2. OPTIONAL THERMOSTATS ARE PROVIDED WHEN SPECIFIED.
3. ACTUAL NUMBER OF INTERNAL PARALLEL CIRCUITS MAY BE A MULTIPLE OF THOSE SHOWN ABOVE.
4. LEAD COLORS ARE OPTIONAL. LEADS MUST ALWAYS BE NUMBERED AS SHOWN.

REV. DESC: REVISE TO SHOW OPTIONAL COLORS			
REV. LTR: C	BY: JLP	REVISED: 01/21/99 2:28	TDR: 0171435
0810D0		FILE: AAA00005148	MDL: -
		MTL: -	

**BALDOR ELECTRIC Co.**

3PH, DV, 9 LEADS, DELTA CONNECTION

CD0180