

BALDOR® • ***RELIANCE***

Product Information Packet

CFDL3507M

.75HP, 1725RPM, 1PH, 60HZ, 56C, 3432LC, TEFC, F

Part Detail							
Revision:	A	Status:	PRD/A	Change #:		Proprietary:	No
Type:	AC	Prod. Type:	3432LC	Elec. Spec:	34WGW937	CD Diagram:	CD0320
Enclosure:	TEFC	Mfg Plant:		Mech. Spec:	34M369	Layout:	34LYM369
Frame:	56C	Mounting:	F1	Poles:	04	Created Date:	12-03-2013
Base:	RG	Rotation:	R	Insulation:	B	Eff. Date:	04-14-2015
Leads:	6#18,1#14 #4TH					Replaced By:	
Literature:		Elec. Diagram:					

Nameplate NP1280L										
CAT.NO.	CFDL3507M									
SPEC.	34M369W937									
HP	.75									
VOLTS	115/230									
AMP	8.8/4.4									
RPM	1725									
FRAME	56C				HZ	60		PH	1	
SER.F.	1.25			CODE	M	DES	N		CL	B
NEMA-NOM-EFF	74			PF	75					
RATING	40C AMB-CONT									
CC								USABLE AT 208V		
DE	6203				ODE	6203				
ENCL	TEFC			SN						
	SFA 10.2/5.1									

Parts List		
Part Number	Description	Quantity
SA273353	SA 34M369W937	1.000 EA
RA259952	RA 34M369W937	1.000 EA
OC3025F11	CYL OIL CAP 25MFD/370V	1.000 EA
TPMRD4748SP	THERMAL 1PH 0.75 MAN SPL LOW TEMP	1.000 EA
EC1540A04	ELEC CAP, 540-648 MFD, 125V, 1.81D X 4.	1.000 EA
NS2512A01	INSULATOR, CONDUIT BOX X	1.000 EA
34CB3001A39P	CONDUIT BOX, PRIMER ONLY	1.000 EA
34GS1013SP	GASKET, CONDUIT BOX LEXIDE	1.000 EA
51XB1016A07	10-16 X 7/16 HXWSSLD SERTYB	2.000 EA
11XW1032G06	10-32 X .38, TAPTITE II, HEX WSHR SLTD U	1.000 EA
RM1014A01SP	BUTYL RUB. THRM COV. (MENA)	1.000 EA
HA6001A01	THERMAL RETAINER (PLATED)	1.000 EA
NS2500A02	INSULATOR, MAN THER PROT	1.000 EA
51XB1214A10	12-14 X 5/8HX WS SL SR TYBX	2.000 EA
51XW0832A07	8-32 X .44, TAPTITE II, HEX WSHR SLTD SE	2.000 EA
34EP3102A01SP	FR ENDPLATE, MACH	1.000 EA
HA1005A05SP	SLINGER, OD 1.50, ID .659, 203 BRG	1.000 EA
34CB3801	CAPACITOR BOX, DIE CAST	1.000 EA
NS2501A02	INSULATOR, CAPACITOR BOX	1.000 EA
34GS3002	GASKET, CAPACITOR BOX	1.000 EA
34GS5003	FOAM SLEEVE, ID = 2 1/16" X 3 3/8"	2.000 EA
51XB1214A08	12-14 X 1/2HX WS SL SR TYBX	2.000 EA
HW5100A03SP	WAVY WASHER (W1543-017)	1.000 EA
34EP3300A55	PU ENDPLATE, MACH W/SEAL	1.000 EA

Parts List (continued)		
Part Number	Description	Quantity
HW4600A54	SEAL 0.668 X 1.064 X 0.250 DOUBLE SHIELD	1.000 EA
HW4600B39SP	V-RING SLINGER 0.550 X 0.790 X .18 VITON	1.000 EA
51XN1032A20	10-32 X 1 1/4 HX WS SL SR	2.000 EA
34FN3002A01SP	EXTERNAL FAN, PLASTIC, .637/.639 HUB W/	1.000 EA
34FH4002A01SP	IEC FH NO GREASER PRIMED	1.000 EA
51XW1032A06	10-32 X .38, TAPTITE II, HEX WSHR SLTD S	3.000 EA
36CB4516	36 LIPPED CB LID	1.000 EA
37GS1001	GASKET, CONDUIT BOX LID, .06 THICK LEXID	1.000 EA
51XW0832A07	8-32 X .44, TAPTITE II, HEX WSHR SLTD SE	4.000 EA
HW2501D13	KEY, 3/16 SQ X 1.375	1.000 EA
HA7000A04	KEY RETAINER 0.625 DIA SHAFTS	1.000 EA
MJ5001A27	32220KN GRAY SEALER *MIN BUY 4 QTS=1GAL	0.001 QT
MG1025C02	WILKOFASST SG, 787.105, TAN	0.014 GA
10XF0440S02	04-40 X 1/8 TYPE F HEX HD STAINLESS STIC	2.000 EA
SP5056A107	34 TYPE LC STATIONARY SWITCH W/LEADS	1.000 EA
HA3100A38	THRUBOLT 10-32 X 9.375	4.000 EA
LB1119N	WARNING LABEL	1.000 EA
LB1087	LABEL,MANUAL RESET (ROLL LABEL)	1.000 EA
LC0269	1PH,DV,REV,THERMAL,7 LD,L.AMP THRU HTR H	1.000 EA
NP1280L	ALUM FARM DUTY UL CSA CC THERMAL	1.000 EA
36PA1000	PKG GRP, PRINT PK1016A06	1.000 EA

AC Induction Motor Performance Data

Record # 7151 - Typical performance - not guaranteed values

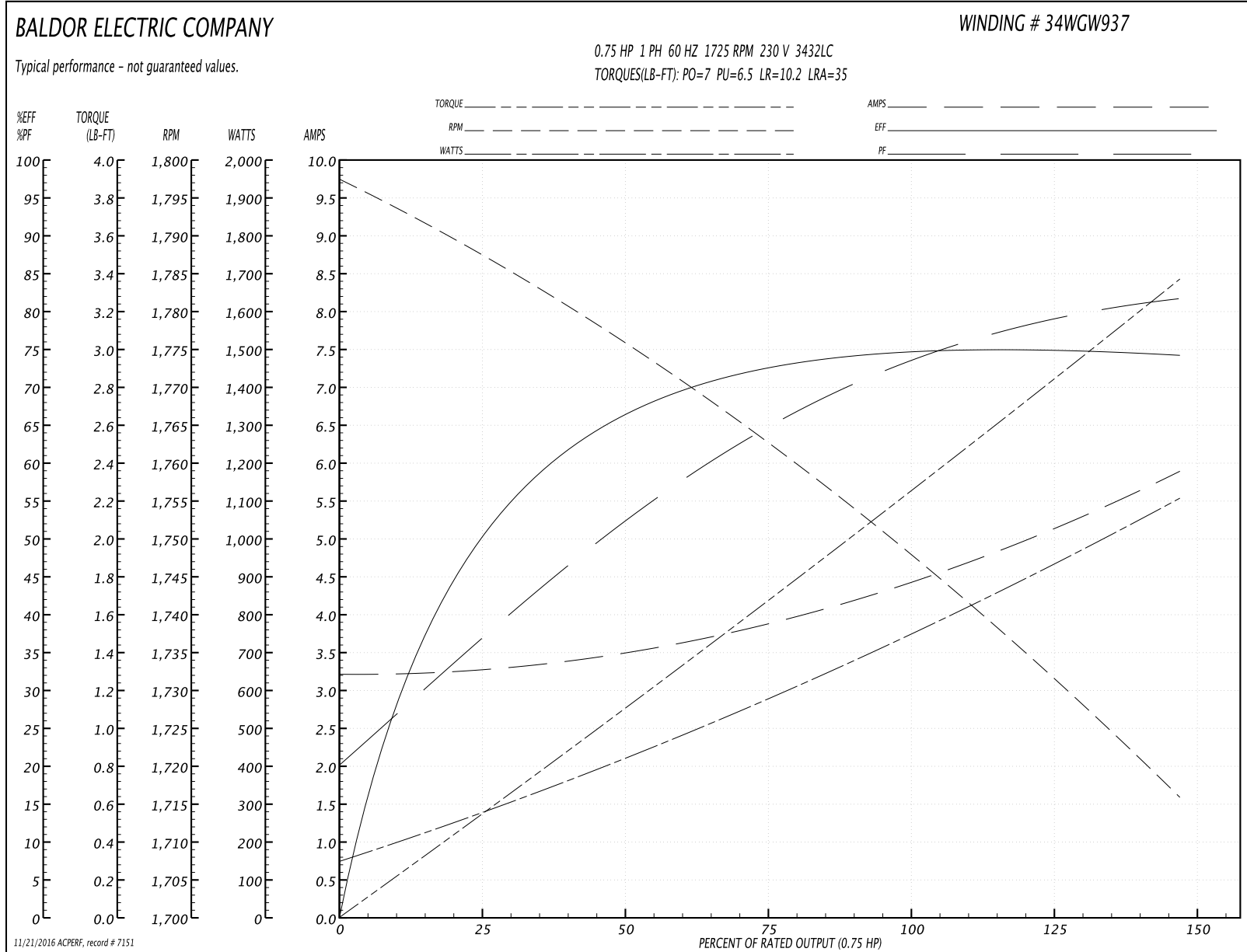
Winding: 34WGW937-R001	Type: 3432LC	Enclosure: TEFC
-------------------------------	---------------------	------------------------

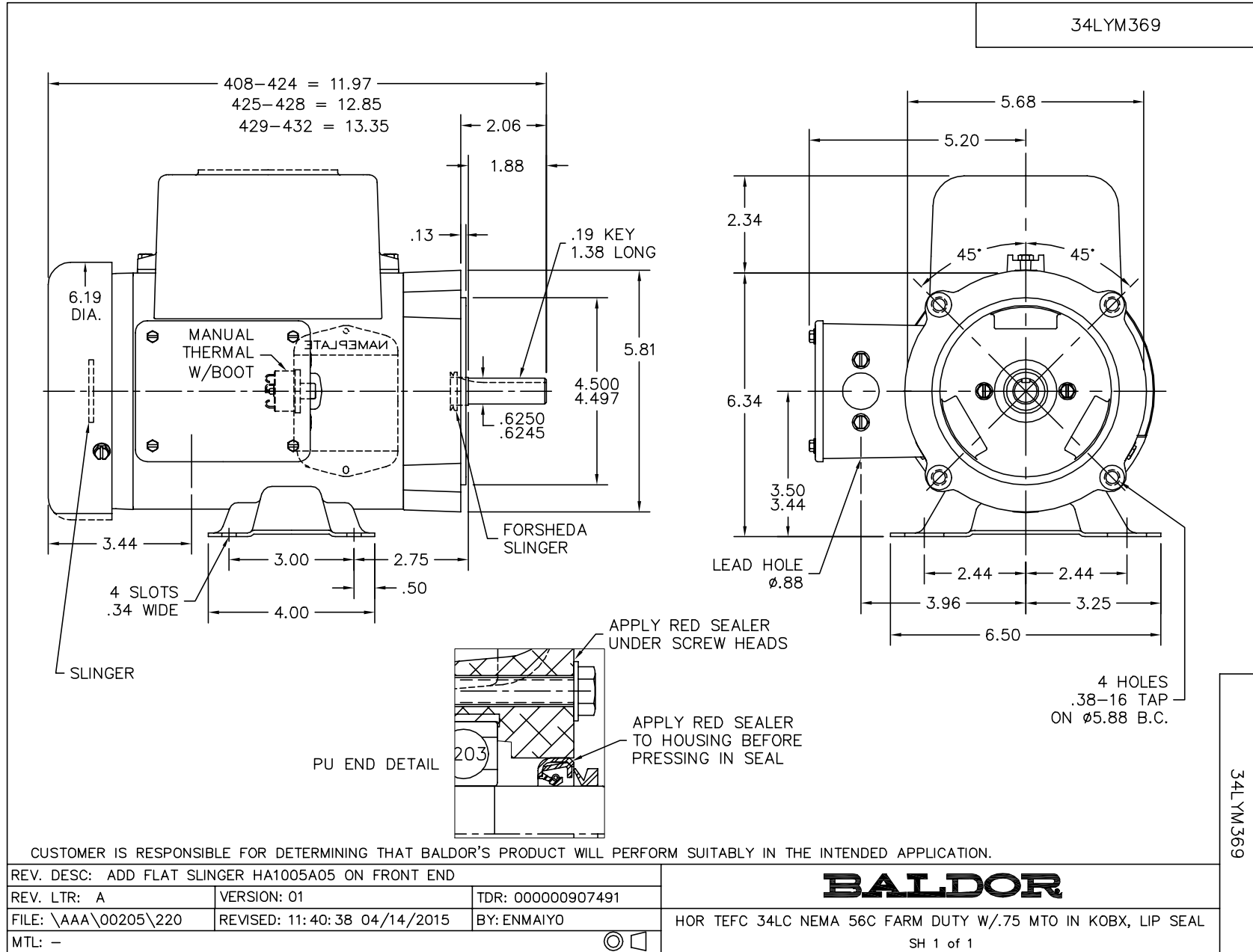
Nameplate Data				230 V, 60 Hz: High Voltage Connection	
Rated Output (HP)	.75			Full Load Torque	2.25 LB-FT
Volts	115/230			Start Configuration	direct on line
Full Load Amps	8.8/4.4			Breakdown Torque	7 LB-FT
R.P.M.	1725			Pull-up Torque	6.5 LB-FT
Hz	60	Phase	1	Locked-rotor Torque	10.2 LB-FT
NEMA Design Code	N	KVA Code	M	Starting Current	35 A
Service Factor (S.F.)	1.25			No-load Current	3.2 A
NEMA Nom. Eff.	74	Power Factor	75	Line-line Res. @ 25°C	2.35 Ω A Ph 1.76 Ω B Ph
Rating - Duty	40C AMB-CONT			Temp. Rise @ Rated Load	59°C
S.F. Amps	10.2/5.1			Temp. Rise @ S.F. Load	74°C

Load Characteristics 230 V, 60 Hz, 0.75 HP

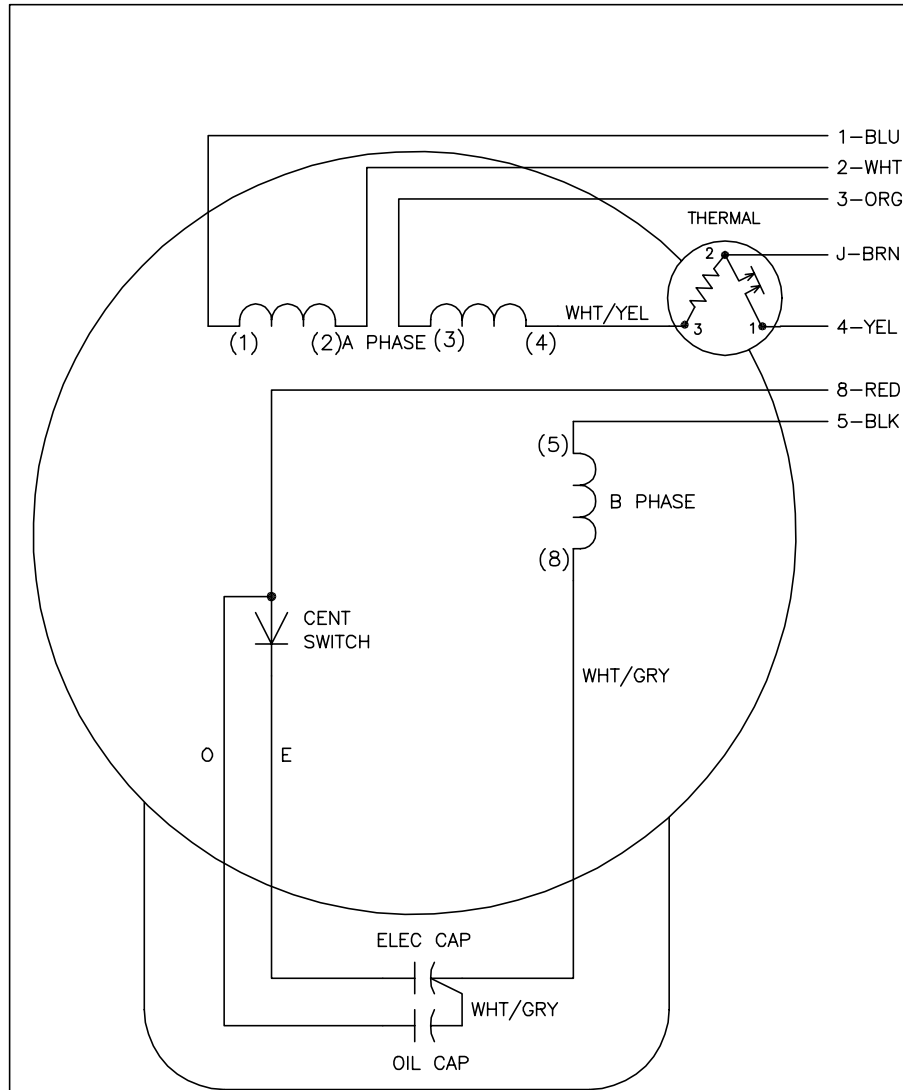
% of Rated Load	25	50	75	100	125	150	S.F.
Power Factor	38	53	66	74	80	84	0
Efficiency	50.7	66	72.9	74.9	75.1	74.1	0
Speed	1787	1775	1761	1750	1733	1715	0
Line amperes	3.3	3.5	3.9	4.4	5.1	5.9	5.1

Performance Graph at 230V, 60Hz, 0.75HP Typical performance - Not guaranteed values





CD0320



	LINE A	LINE B	JOIN	JOIN
HIGH STD	1,8	4	2,3,5	J
HIGH OPP	1,5	4	2,3,8	J
LOW STD	1,3,8	4	-	2,J,5
LOW OPP	1,3,5	4	-	2,J,8

NOTES:

1. STANDARD ROTATION IS CCW FACING END OPPOSITE SHAFT EXTENSION.
2. MULTIPLE CAPACITORS ARE CONNECTED IN PARALLEL UNLESS OTHERWISE SPECIFIED.
3. LEAD COLORS ARE OPTIONAL. LEADS MUST ALWAYS BE NUMBERED AS SHOWN.

CD0320

REV. DESC: ADD INTERNAL CONNECTION TO HELP MANUFACTURING		
REV. LTR: G	VERSION: 01	TDR: 000000941594
FILE: \AAA\00007\422	REVISED: 02:21:00 08/28/2015	BY: ENALEMO
MTL: -	© □	

BALDOR

TYPE LC, DV, REV, THERMAL, B PH AMPS THRU HTR HVC, 7 LEAD

SH 1 of 1