

BALDOR® • ***RELIANCE***

Product Information Packet

ECP4316TR-4

75HP,1780RPM,3PH,60HZ,365T,TEFC,F1

Part Detail							
Revision:	G	Status:	PRD/A	Change #:		Proprietary:	No
Type:	AC	Prod. Type:	A36070M	Elec. Spec:	A36WG0082	CD Diagram:	416820-036
Enclosure:	TEFC	Mfg Plant:		Mech. Spec:		Layout:	611740-501-SH1
Frame:	365T	Mounting:	F1	Poles:	04	Created Date:	11-27-2013
Base:		Rotation:	R	Insulation:	F	Eff. Date:	06-08-2016
Leads:	3#4					Replaced By:	
Literature:		Elec. Diagram:					

Nameplate NP2496L	
MOBIL SHC -220 GREASE	

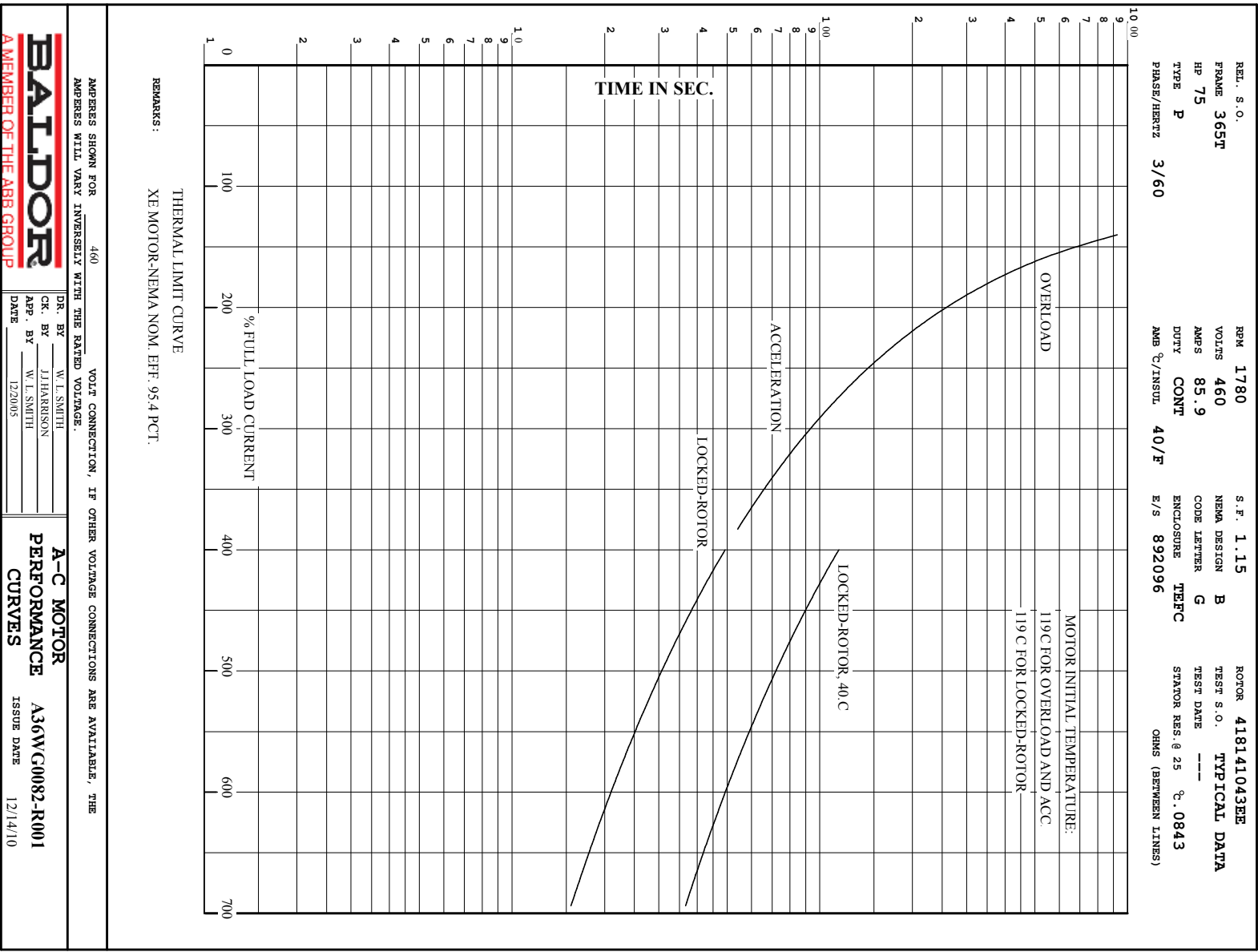
Nameplate NP3238									
CAT NO	ECP4316TR-4	SPEC NO.	A36-5051-0082						
HP	75	AMPS	85.9	VOLTS	460	DESIGN	B		
FRAME	365T	RPM	1780	HZ	60	AMB	40	SF	1.15
D.E. BRG.DATA	NU313	O.D.E. BRG.DATA	6313	PH	3	DUTY	CONT	INSUL.CLASS	F
D.E. BRG.	65RU03M30X	TYPE	P	ENCL	TEFC	CODE	G	NEMA NOM EFFICIENCY	95.4
O.D.E. BRG.	65BC03J30X	POWER FACTOR	86	MAX CORR KVAR	16.0	GUARANTEED EFFICIENCY	94.5		
3/4 LOAD EFF.	95.8	TEMP	= 200						
TEMP CODE	T3	CT HZ	30-60	VT HZ	0-60				
CHP HZ	60-90								
INVERTER-TEMP-CODE	T3								
SER.NO.		MOTOR WEIGHT	965						

Parts List		
Part Number	Description	Quantity
SA272934	SA A36-5051-0082	1.000 EA
RA259539	RA A36-5051-0082	1.000 EA
421948051	LABEL, MYLAR	1.000 EA
NP2496L	MOTOR LUBE NAMEPLATE	1.000 EA
000613006PU	N/P (RELEASE QTY 10,000) UL CSA LABEL	1.000 EA
000692000RT	N/P	1.000 EA
000692000VD	LABEL WARNING	1.000 EA
NP3238	SS CP XEX SEVERE DUTY MAIN NP	1.000 EA
085922073B	BRKT 360 085922072WCC KB	1.000 EA
415072001B	CLAMP	1.000 EA
078559034A	+F/C A 078559001A - 360	1.000 EA
034180012DA	KEY 1X4X1/4X1-1/2 L	1.000 EA
412118006A	DRAIN	1.000 EA
702676001C	FAN 360 - 56 PCS	1.000 EA
004824015AP	GREASE MOBILITH SHC 220	0.540 LB
032018012DK	HHCS 1/2-13X1-1/2 PLTD.	4.000 EA
032018008AK	HHCS 1/4-20X1 PLATED	4.000 EA
032018024CK	HHCS 3/8-16X3 PLTD.	3.000 EA
415096002A	CPLG 1/8 HEX TYPE	1.000 EA
415045002E	SLGR	1.000 EA
047174001Z	EXT SNAP RING	1.000 EA
034530052AB	P/NIP 1/8X6-1/2 GALV.	1.000 EA
085922073B	BRKT 360 085922072WCC KB	1.000 EA
032018012DK	HHCS 1/2-13X1-1/2 PLTD.	4.000 EA

Parts List (continued)		
Part Number	Description	Quantity
032018024CK	HHCS 3/8-16X3 PLTD.	3.000 EA
415045002E	SLGR	1.000 EA
412118006A	DRAIN	1.000 EA
034530020AB	P/NIP 1/8X2-1/2 PLTED	1.000 EA
415096002A	CPLG 1/8 HEX TYPE	1.000 EA
076708000BB	C/B - 360	1.000 EA
065776000C	TERBD 320-400	1.000 EA
076709000A	C/B - 360	1.000 EA
067053000B	GASK 320-400	1.000 EA
418150003A	GREASE FITTING CAP	1.000 EA
032018010CK	HHCS 3/8-16X1-1/4 PLTD.	4.000 EA
035000001A	ALFTG 1/8" 1610-BL	1.000 EA
415000103H	TERMINAL LUG	1.000 EA
033512008LB	HHTTS 1/4-20X1 PLATED	4.000 EA
406099000A	PLUG - FAN COVER 320-440	1.000 EA
034000014AB	WSH ID.406 OD.812 TH.065	4.000 EA
035000001A	ALFTG 1/8" 1610-BL	1.000 EA
418150003A	GREASE FITTING CAP	1.000 EA
MG1025N19	WILKO 778.50 BLUE GREEN - 55 GAL DRUMS	0.250 GA
033775004EA	DRSCR #6-1/4 304 S.S.	4.000 EA
034180034HA	KEY 5/8X5/8X4-1/4 L	1.000 EA
HW1000A32	5/16 FL WASHER WIDE,ID=.344,OD=1.125	3.000 EA
604797011R	320 FR. ROLLER BEARING MOTOR SHAFT	1.000 EA
032509020C	CARRIAGE BOLT - 360	3.000 EA

Product Information Packet: ECP4316TR-4 - 75HP,1780RPM,3PH,60HZ,365T,TEFC,F1

032018024CK	HHCS 3/8-16X3 PLTD.	1.000 EA
415070001A	RUBBER MOUNT 3X3X1 THICK	1.000 EA
034001016AB	WSHR .562ID 1.375OD .109	1.000 EA
034001014AB	FLAT WASHER 3/8"PLATED	1.000 EA
LB1449	DIV-2/NEC WARNING LABEL	1.000 EA
034530032BB	P/NIP 1/4X4" SCHED 40	1.000 EA
034631002AB	BUSH 1/4 TO 1/8 PLTD.	1.000 EA
035000001G	GREASE RELIEF FITTING, ALEMITE 317400	1.000 EA
034631002AB	BUSH 1/4 TO 1/8 PLTD.	1.000 EA
034530020BB	P/NIP 1/4X2-1/2 PLATED	1.000 EA
035000001G	GREASE RELIEF FITTING, ALEMITE 317400	1.000 EA
14PA1000	PACKAGING 314 GROUP COMBINED PRINT	1.000 EA
032018005DL	1/2-13 X 5/8 SILICON BRONZE HHCS	1.000 EA



REL. S. O.	FRAME	HP	TYPE	PHASE/HERTZ	RPM	VOLTS
	365T	75	P	3/60	1780	460
AMPS	DUTY	AMB °C/ INSUL.	S. F.	NEMA DESIGN	CODE LETTER	ENCL.
85.9	CONT	40/F	1.15	B	G	TEFC
E/S	ROTOR	TEST S. O.	TEST DATE	STATOR RES. @25 °C (OHMS BETWEEN LINES)		
892096	418141043EE	---	---	.0843		

PERFORMANCE

LOAD	HP	AMPERES	RPM	POWER FACTOR %	EFFICIENCY %
NO LOAD	0	26.1	1800	3.86	0
1/4	18.8	33.4	1796	56.1	93.8
2/4	37.5	47.7	1791	77.0	95.7
3/4	56.2	65.8	1786	83.5	95.8
4/4	75.0	85.9	1781	85.6	95.4
5/4	93.8	107	1776	86.7	94.8

SPEED TORQUE

	RPM	TORQUE % FULL LOAD	TORQUE LB.-FT.	AMPERES
LOCKED ROTOR	0	196	433	542
PULL UP	1130	166	368	458
BREAKDOWN	1699	252	557	293
FULL LOAD	1781	100	221	85.9

AMPERES SHOWN FOR 460. VOLT CONNECTION. IF OTHER VOLTAGE CONNECTIONS ARE AVAILABLE, THE AMPERES WILL VARY INVERSELY WITH THE RATED VOLTAGE

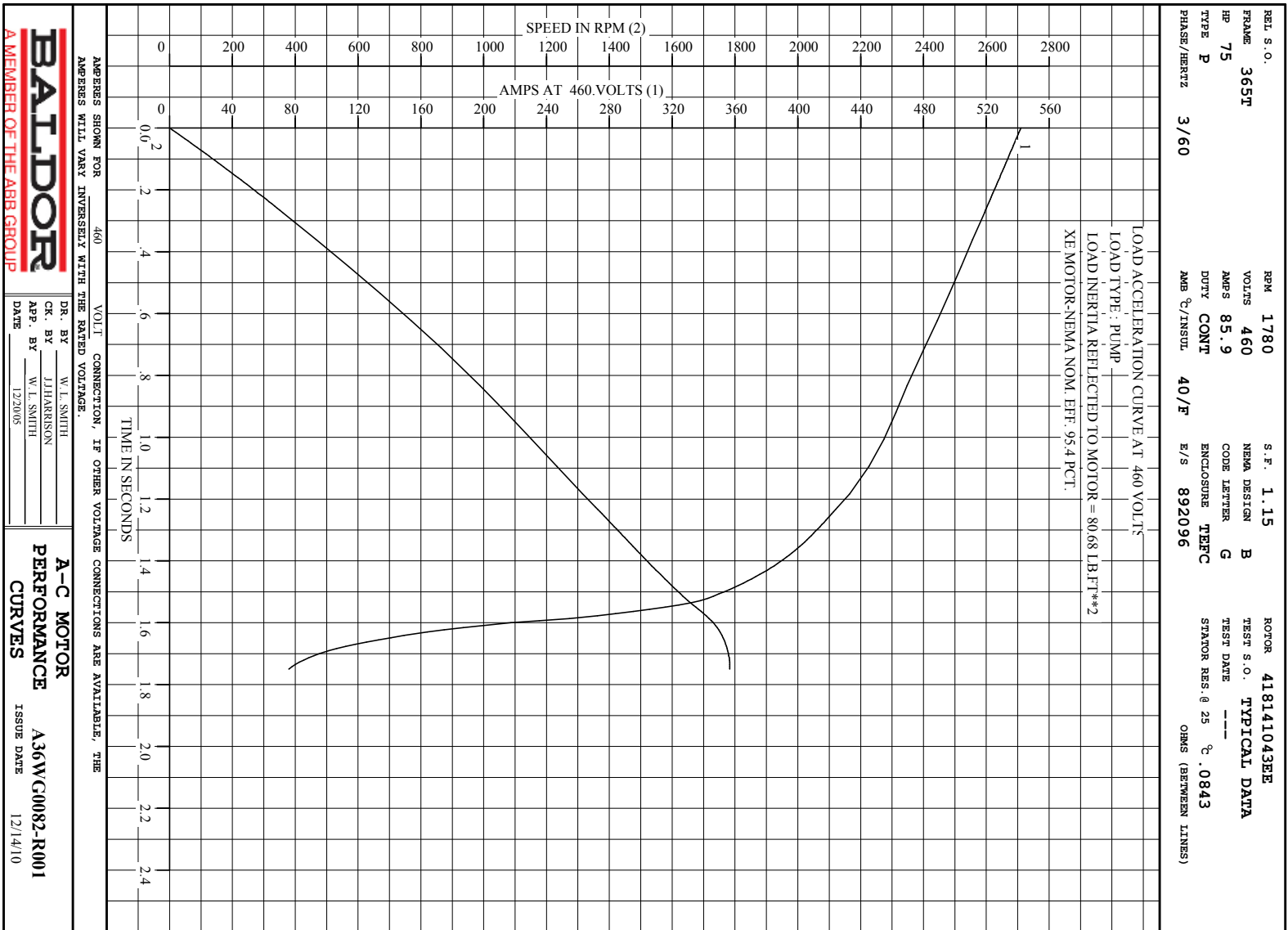
REMARKS: TYPICAL DATA
XE MOTOR-NEMA NOM. EFF. 95.4 PCT.



DR. BY W. L. SMITH
CR. BY J. J. HARRISON
APP. BY W. L. SMITH
DATE 12/20/05

A-C MOTOR PERFORMANCE DATA
A36WG0082-R001
ISSUE DATE 12/14/10

A MEMBER OF THE ABB GROUP

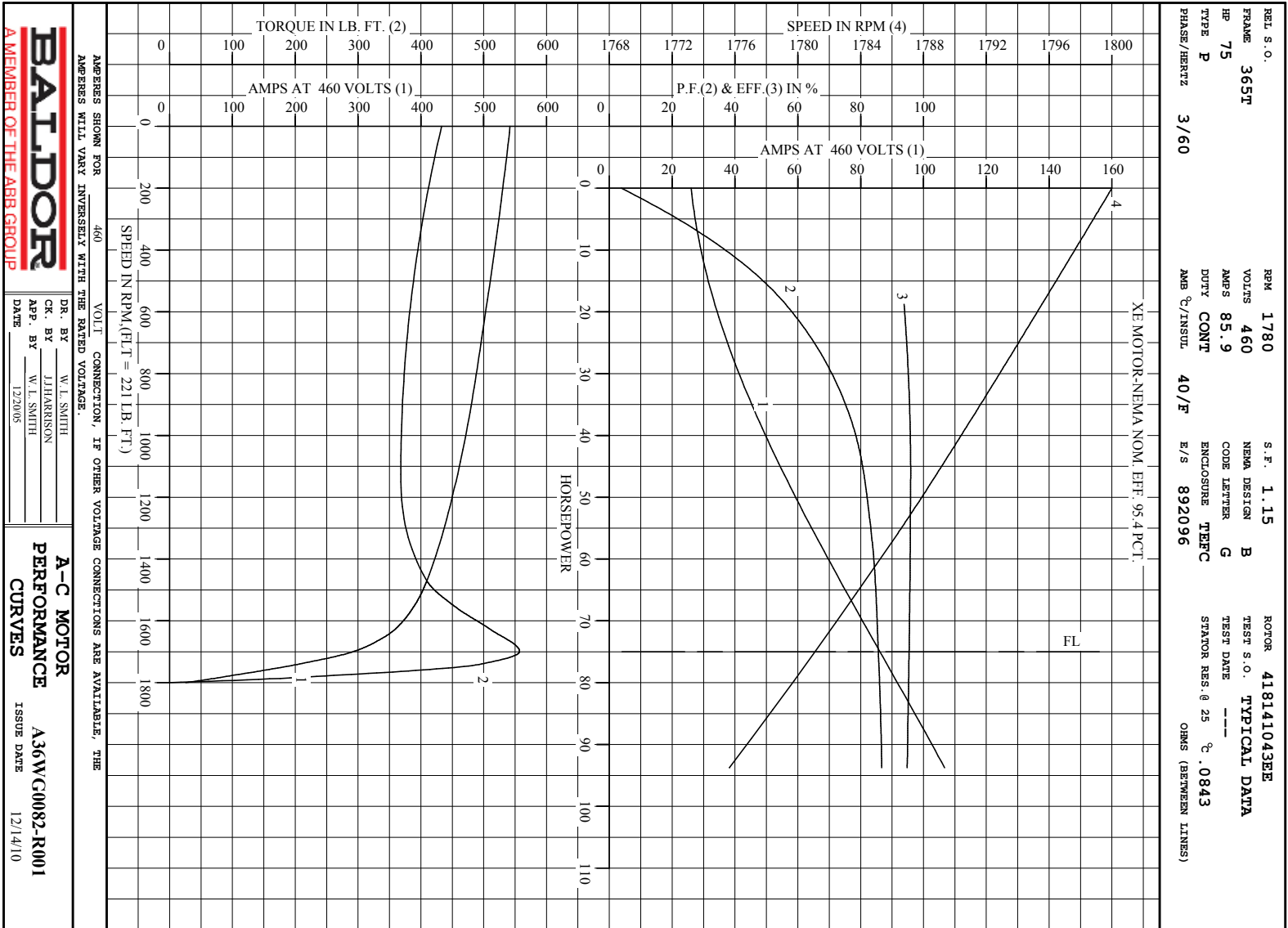


BALDOR
 A MEMBER OF THE ABB GROUP

DR. BY W. L. SMITH
 CK. BY J. HARRISON
 APP. BY W. L. SMITH
 DATE 12/20/05

A-C MOTOR
PERFORMANCE
CURVES
 A36WC0082-R001
 ISSUE DATE 12/14/10

Printed on 11/11/14 8:03 @ rsgsun



AMPERES SHOWN FOR 460 VOLT CONNECTION, IF OTHER VOLTAGE CONNECTIONS ARE AVAILABLE, THE AMPERES WILL VARY INVERSELY WITH THE RATED VOLTAGE.

DR. BY W. L. SMITH
 CK. BY J. HARRISON
 APP. BY W. L. SMITH
 DATE 12/30/05

A-C MOTOR PERFORMANCE CURVES A36WC0082-R001
 ISSUE DATE 12/14/10

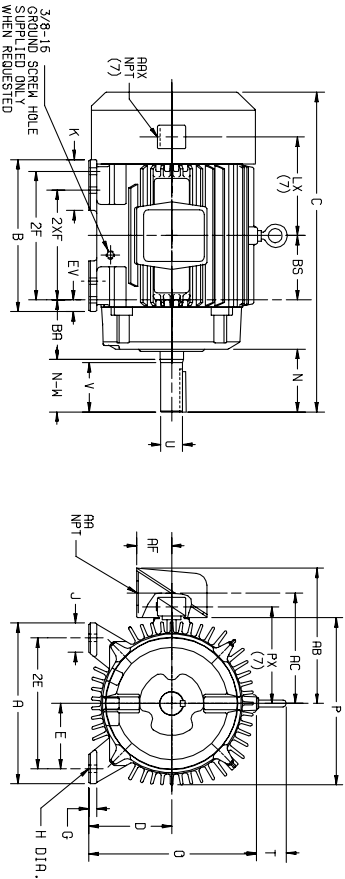
Printed on 11/11/14 8:03 @ zagsun

611740-501-SHI

DUTY MASTER ALTERNATING CURRENT MOTORS

SQUIREL-CAGE INDUCTION
 CAST IRON CONSTRUCTION
 ENCLOSURE: TOTALLY ENCLOSED
 MOUNTING: FOOT
 COOLING: FAN COOLED

FRAMES 250T THRU 440T



DIMENSIONS ARE IN INCHES. SEE SHEET 2 FOR DIMENSIONS IN MILLIMETERS

FRAME	A	D(2)	E	G	H	J	K	O	P	T	CAST IRON TERMINAL BOX	AA	AB	AC	AF	AX LX (7)	AX LX (7)	PK (7)	BA	EV
254T-256T	12.50	6.25	5.00	.75	.56	2.50	---	13.25	13.25	2.44	1-1/4	10.81	8.81	2.50	3/4	6.31	9.31	4.25	1.00	
284T-286T5	13.75	7.00	5.50	.75	.56	2.50	---	14.75	14.88	2.44	1-1/2	12.62	10.19	3.00	3/4	6.88	10.50	4.75	1.00	
324T-326T5	15.50	8.00	6.25	.88	.69	2.75	4.50	16.69	17.00	2.44	2	15.44	11.69	3.62	3/4	8.00	10.50	5.25	1.38	
364T-365T5	17.00	9.00	7.00	.88	.69	2.75	3.88	18.50	19.50	2.94	3	18.00	13.81	4.12	3/4	8.38	11.62	5.88	1.38	
404T-405T5	19.00	10.00	8.00	1.12	.81	3.25	4.82	21.31	22.50	2.94	3	19.25	15.06	4.12	3/4	9.62	14.44	6.62	1.13	
444T-445T5	21.00	11.00	9.00	1.12	.81	3.25	5.25	23.38	25.25	3.25	3	22.19	17.44	6.00	3/4	11.12	15.25	7.50	1.25	

FRAME	C	BS	B	2F	(4)	N	N	SHAFT AND KEY	U(3)	V	SO. LGTH.	WEIGHT
254T	24.56	5.00	12.00	---	8.25	4.12	4.00	1.625	3.75	3.75	2.88	335
284T	27.44	5.50	13.00	---	9.50	5.00	4.62	1.875	4.38	5.00	3.25	475
324T	27.44	5.50	13.00	---	9.50	5.00	3.62	1.625	3.00	3.75	1.88	475
364T	28.06	5.50	13.00	---	9.50	5.00	4.62	1.875	4.38	5.00	3.25	490
404T	28.06	5.50	13.00	---	9.50	5.00	3.62	1.625	3.00	3.75	1.88	490
444T	30.44	6.00	14.75	---	10.50	5.62	5.25	2.125	5.00	5.00	3.88	590
324T	30.44	6.00	14.75	---	10.50	4.12	3.75	1.875	3.50	5.00	2.00	590
364T	30.44	6.00	14.75	---	10.50	5.62	5.25	2.125	5.00	5.00	3.88	630
364T	30.44	6.00	14.75	---	10.50	4.12	3.75	1.875	3.50	5.00	2.00	630
364T	33.44	6.12	15.00	---	11.25	6.25	5.88	2.375	5.62	6.25	4.25	865
364T	31.31	6.12	15.00	---	11.25	4.12	3.75	1.875	3.50	5.00	2.00	865
365T	33.44	6.12	15.00	---	12.25	6.25	5.88	2.375	5.62	6.25	4.25	890
365T	31.31	6.12	15.00	---	12.25	4.12	3.75	1.875	3.50	5.00	2.00	890
404T	38.31	6.88	16.00	---	12.25	7.50	7.25	2.875	7.00	7.50	5.62	1220
404T	38.31	6.88	16.00	---	12.25	4.50	4.25	2.125	4.00	5.00	2.75	1211
405T	38.31	6.88	16.00	---	13.75	7.50	7.25	2.875	7.00	7.50	5.62	1260
405T	35.31	6.88	16.00	---	13.75	4.50	4.25	2.125	4.00	5.00	2.75	1251
444T	44.62	8.25	19.00	---	14.50	8.94	8.50	3.375	8.25	8.75	6.88	1670
444T	40.88	8.25	19.00	---	14.50	5.19	4.75	2.375	4.50	6.25	3.00	1654
445T	44.62	8.25	19.00	---	16.50	8.50	8.50	3.375	8.25	8.75	6.88	1860
445T	40.88	8.25	19.00	---	16.50	5.19	4.75	2.375	4.50	6.25	3.00	1844

- (1) SPECIAL DIMENSIONS APPLYING TO THIS ORDER ON THIS LINE.
- (2) "C" VARIES $\begin{cases} 250T - 320T +1.00, -.03, \\ 360T - 440T +1.00, -.06, \\ HP TO 1.625 \text{ DIA.} +.0000, -.0005 \end{cases}$
- (3) "N" VARIES $\begin{cases} +.625 \text{ AND LARGER} +.000, -.001, \\ HP TO 1.625 \text{ DIA.} +.0000, -.0005 \end{cases}$
- (4) ALL FRAMES HAVE EIGHT MOUNTING HOLES FOR DUAL MOUNTING.
- (5) MOTOR WEIGHTS MAY VARY BY 15% DEPENDING UPON RATING.
- (6) "N-W" VARIES $+ .00, -.25$.
- (7) AUXILIARY CONDUIT BOX SUPPLIED WHEN SPECIFIED CONDUIT BOXES LOCATED ON OPPOSITE SIDE WHEN F-2W-1, W-4-W-5-W-7, OR C-1 MOUNTING IS SPECIFIED.

IF MOUNTING CLEARANCE DETAILS ARE REQUIRED, CONSULT FACTORY.
 MAXIMUM PERMISSIBLE SHAFT RUNOUT WHEN MEASURED AT END OF STD. SHAFT EXTENSION IS .002 T.I.R. UP TO AND INCLUDING 1.625 DIA. AND .003 T.I.R. 1.625 DIA. TO 5 INCH DIA.

FRAME _____ TYPE _____ CERTIFIED FOR _____
 ORDER # _____ ITEM # _____ HP _____ RPM _____ PH _____ HZ _____ VOLTS _____
 SALES ORDER # _____ APPROVED BY _____ DATE _____

IHS-105-074119

BALDOR • DODGE • RELIANCE

CUSTOMER IS RESPONSIBLE FOR DETERMINING THAT MOTOR PERFORMANCE IS SUITABLE IN THE APPLICATION.

REV. DESC: REMOVING TITLEBLOCK	VERSION: 01	TDR: 000000448517
REV. LTR: A	REVISED: 14:06:59 11/07/2007	BY: CONBPM
FILE: \RAG\00004\525		
MTL: -		

DIM SHT 250T-440T TEFC FT MTG STD T & TS SGL EXT XT

416820-036

A-C MOTOR
 CONNECTION DIAGRAM
 STANDARD 3 LEAD CONNECTED



(N.P. 1575-BA)

416820-036

REV. DESC: LOADED TO BUS, C/R 335225		
REV. LTR: -	VERSION: 00	TDR: 000000538207
FILE: \MGA\00000\682	REVISED: 11:54:06 04/30/2010	
MTL: -	BY: RAGRA	

BALDOR

CONN DIAG - STANDARD 3 LEAD

SH 1 of 1

Marketing maintained PDF of MN408:

<http://www.baldor.com/support/Literature/Load.ashx/MN408?ManNumber=MN408>

Marketing maintained PDF of MN416:

<http://www.baldor.com/support/Literature/Load.ashx/MN416?ManNumber=MN416>