

BALDOR® • *RELIANCE*

Product Information Packet

EGDM3218T

5HP,1750RPM,3PH,60HZ,184TZ,3640M,OPSB,F1

Part Detail							
Revision:	B	Status:	PRD/A	Change #:		Proprietary:	No
Type:	AC	Prod. Type:	3640M	Elec. Spec:	36WGS270	CD Diagram:	CD0005
Enclosure:	OPSB	Mfg Plant:		Mech. Spec:	36Q485	Layout:	36LYQ485
Frame:	184TZ	Mounting:	F1	Poles:	04	Created Date:	05-04-2015
Base:	RG	Rotation:	R	Insulation:	F	Eff. Date:	10-09-2015
Leads:	9#16					Replaced By:	
Literature:		Elec. Diagram:					

Nameplate NP3126L										
CAT.NO.	EGDM3218T									
SPEC.	36Q485S270G1									
HP	5									
VOLTS	208-230/460									
AMP	14-13.2/6.6									
RPM	1750									
FRAME	184TZ				HZ	60			PH	3
SER.F.	1.15		CODE	J	DES	B		CL	F	
NEMA-NOM-EFF	89.5		PF	80						
RATING	40C AMB-CONT									
CC	010A				USABLE AT 208V			14		
DE	6206				ODE	6205				
ENCL	OPSB		SN							

Parts List		
Part Number	Description	Quantity
SA300995	SA 36Q485S270G1	1.000 EA
RA288065	RA 36Q485S270G1	1.000 EA
36CB3004	36 CB CASTING W/1.09 DIA LEAD HOLE @ 6:0	1.000 EA
51XB1016A08	10-16X 1/2HXWSSLD SERTYB	2.000 EA
HW1000A10	#10 FLAT WASHER (SAE)	4.000 EA
11XW1032G06	10-32 X .38, TAPTITE II, HEX WSHR SLTD U	1.000 EA
HW3001B01	BRASS CUP WASHER, FOR #8 SCREW	1.000 EA
36EP3200A02	FR ENDPLATE, MACH	1.000 EA
HA1103A08	RODENT SCREEN, 36 FRAME, OPEN, FRONT END	1.000 EA
51XW1032A06	10-32 X .38, TAPTITE II, HEX WSHR SLTD S	4.000 EA
HW5100A05	WVY WSHR F/205 & 304 BRGS	1.000 EA
36EP3201A02	FR/PU ENDPLATE, MACH	1.000 EA
HA1103A10	RODENT SCREEN, 36 FRAME, OPEN, PULLEY EN	1.000 EA
51XW1032A06	10-32 X .38, TAPTITE II, HEX WSHR SLTD S	4.000 EA
HW1000A10	#10 FLAT WASHER (SAE)	4.000 EA
XY2520A12	1/4-20 HEX NUT, DIRECTIONAL SERRATIONS	4.000 EA
36CB4516	36 LIPPED CB LID	1.000 EA
51XW0832A07	8-32 X .44, TAPTITE II, HEX WSHR SLTD SE	4.000 EA
HW2501E16	3KEY, 1/4 SQ X 1.750	1.000 EA
HA7000A02	KEY RETAINER RING, 1 1/8 DIA, 1 3/8 DIA	1.000 EA
85XU0407S04	4X1/4 U DRIVE PIN STAINLESS	2.000 EA
HA6362ZP	LIFTING LUG FOR 36 FRAME MOTORS.	2.000 EA
MJ1000A02	GREASE, POLYREX EM EXXON (USe 4824-15A)	0.050 LB
MG1025C02	WILKOFASST SG, 787.105, TAN	0.022 GA

Parts List (continued)		
Part Number	Description	Quantity
HA3101A40	THRUBOLT 1/4-20 X 12.687	4.000 EA
36AD2004A01	BAFFLE PLATE,MOD 36-SLTD BAND MTRS DELTA	2.000 EA
LB1119N	WARNING LABEL	1.000 EA
LB1115N	LABEL,LIFTING DEVICE (ON ROLLS)	1.000 EA
LC0145B01	CONNECTION LABEL	1.000 EA
MN416A01	TAG-INSTAL-MAINT no wire (1000/bx) 11/14	1.000 EA
NP3126L	ALUM FARM DUTY SUPER-E UL CSA-EEV PREM	1.000 EA
36PA1001	PKG GRP, PRINT PK1017A06	1.000 EA

AC Induction Motor Performance Data

Record # 31553 - Typical performance - not guaranteed values

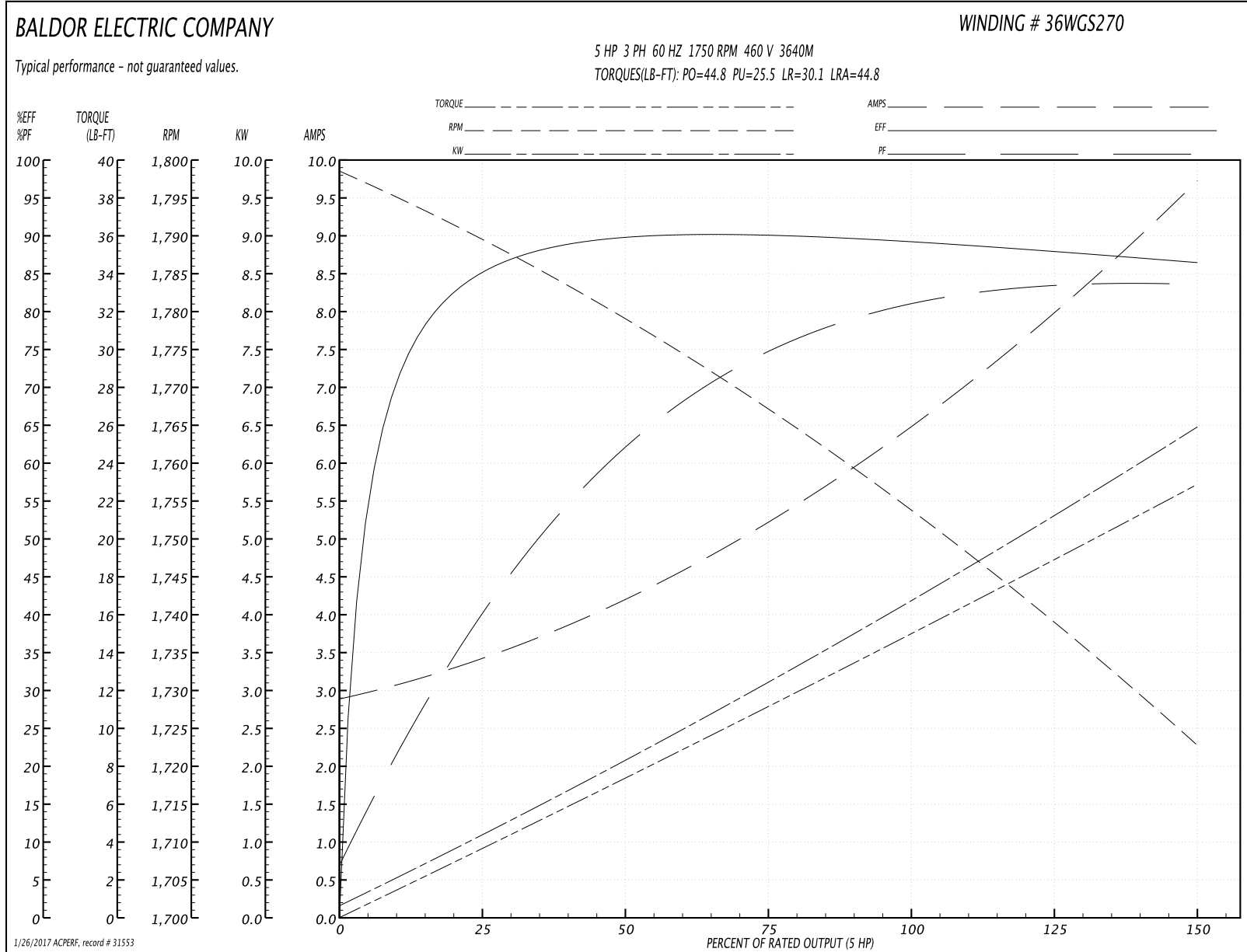
Winding: 36WGS270-R001	Type: 3640M	Enclosure: OPSB
-------------------------------	--------------------	------------------------

Nameplate Data				460 V, 60 Hz: High Voltage Connection	
Rated Output (HP)	5			Full Load Torque	15.05 LB-FT
Volts	208-230/460			Start Configuration	direct on line
Full Load Amps	14-13.2/6.6			Breakdown Torque	44.8 LB-FT
R.P.M.	1750			Pull-up Torque	25.5 LB-FT
Hz	60	Phase	3	Locked-rotor Torque	30.1 LB-FT
NEMA Design Code	B	KVA Code	J	Starting Current	44.8 A
Service Factor (S.F.)	1.15			No-load Current	2.97 A
NEMA Nom. Eff.	89.5	Power Factor	80	Line-line Res. @ 25°C	2.632 Ω
Rating - Duty	40C AMB-CONT			Temp. Rise @ Rated Load	44°C
S.F. Amps				Temp. Rise @ S.F. Load	56°C
				Locked-rotor Power Factor	41
				Rotor inertia	0.372 LB-FT ²

Load Characteristics 460 V, 60 Hz, 5 HP

% of Rated Load	25	50	75	100	125	150	S.F.
Power Factor	42	64	75	80	83	84	82
Efficiency	85.4	89.7	90.2	89.5	88.2	86.4	88.7
Speed	1789.2	1778.5	1766.9	1753.8	1739.5	1722.1	1745
Line amperes	3.33	4.14	5.26	6.59	8.05	9.68	7.47

Performance Graph at 460V, 60Hz, 5.0HP Typical performance - Not guaranteed values



AC Induction Motor Performance Data

Record # 38235 - Typical performance - not guaranteed values

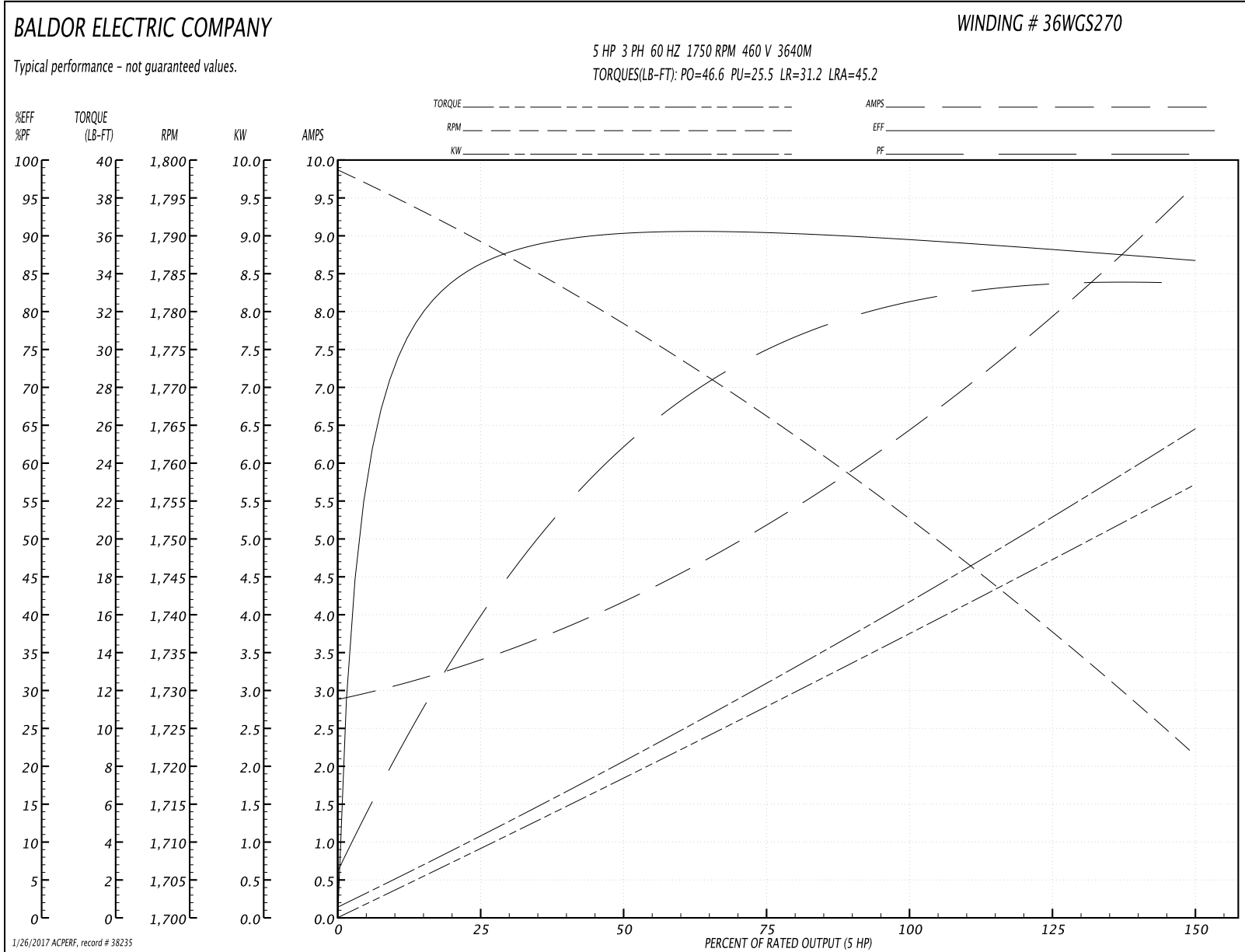
Winding: 36WGS270-R001	Type: 3640M	Enclosure: OPSB
-------------------------------	--------------------	------------------------

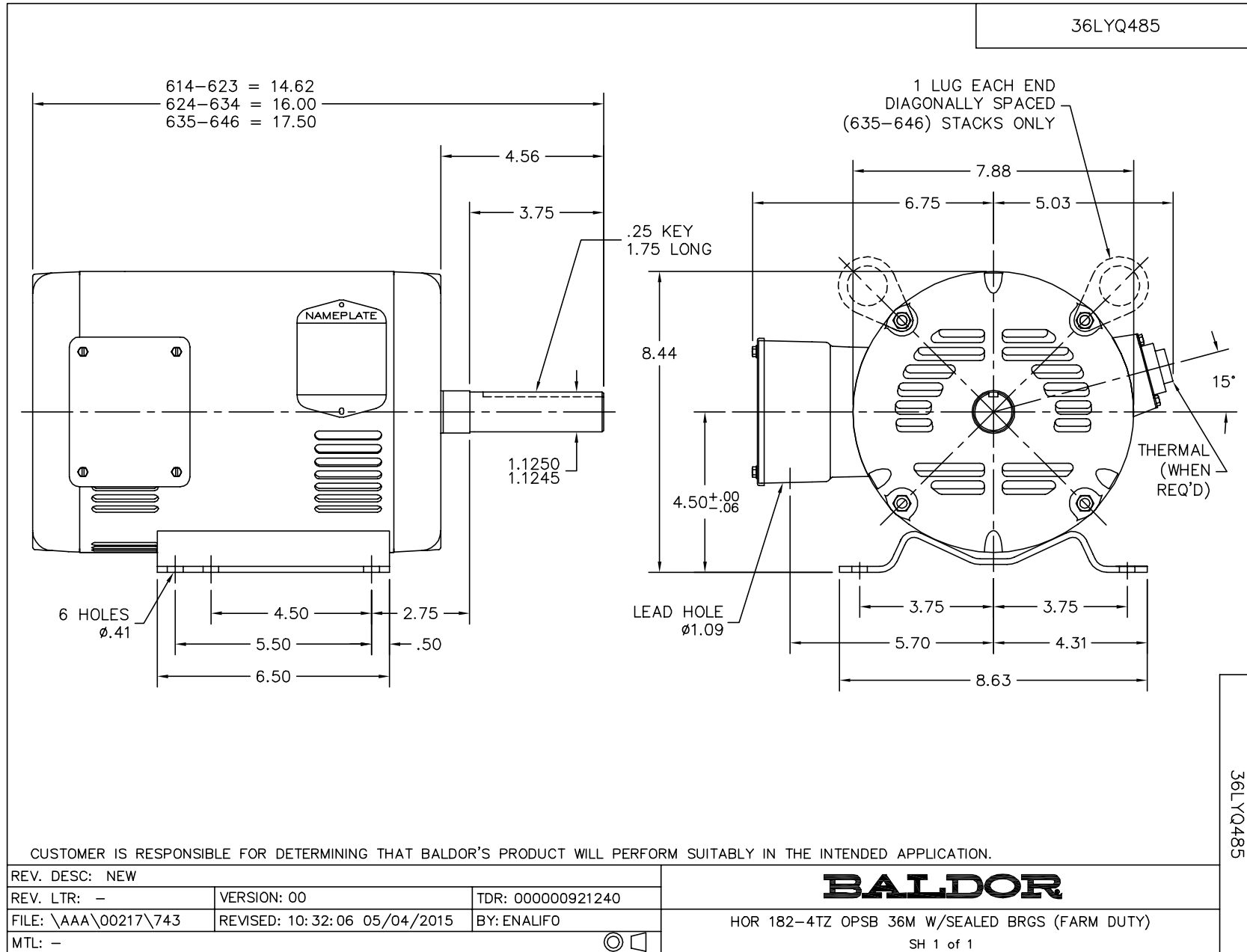
Nameplate Data				460 V, 60 Hz: High Voltage Connection	
Rated Output (HP)	5			Full Load Torque	15 LB-FT
Volts	208-230/460			Start Configuration	direct on line
Full Load Amps	14-13.2/6.6			Breakdown Torque	46.6 LB-FT
R.P.M.	1750			Pull-up Torque	25.5 LB-FT
Hz	60	Phase	3	Locked-rotor Torque	31.2 LB-FT
NEMA Design Code	B	KVA Code	J	Starting Current	45.2 A
Service Factor (S.F.)	1.15			No-load Current	2.96 A
NEMA Nom. Eff.	89.5	Power Factor	80	Line-line Res. @ 25°C	2.6272 Ω
Rating - Duty	40C AMB-CONT			Temp. Rise @ Rated Load	45°C
S.F. Amps				Temp. Rise @ S.F. Load	56°C
				Locked-rotor Power Factor	41
				Rotor inertia	0.372 LB-FT ²

Load Characteristics 460 V, 60 Hz, 5 HP

% of Rated Load	25	50	75	100	125	150	S.F.
Power Factor	42	64	75	80	83	84	82
Efficiency	86.1	90.2	90.5	89.7	88.3	86.6	88.9
Speed	1788.8	1778.1	1766	1752.7	1737.8	1721.1	1744
Line amperes	3.33	4.11	5.22	6.52	8.02	9.62	7.42

Performance Graph at 460V, 60Hz, 5.0HP Typical performance - Not guaranteed values

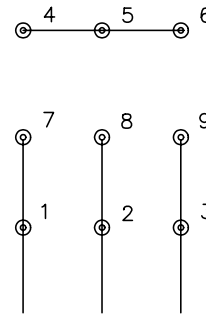




CD0005

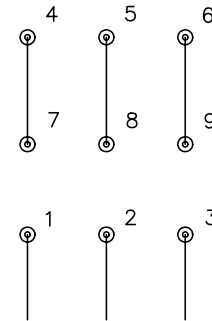


LOW VOLTAGE
(2Y)



LINE

HIGH VOLTAGE
(1Y)



LINE

NOTES:

1. INTERCHANGE ANY TWO LINE LEADS TO REVERSE ROTATION.
2. OPTIONAL THERMOSTATS ARE PROVIDED WHEN SPECIFIED.
3. ACTUAL NUMBER OF INTERNAL PARALLEL CIRCUITS MAY BE A MULTIPLE OF THOSE SHOWN ABOVE.
4. LEAD COLORS ARE OPTIONAL. LEADS MUST ALWAYS BE NUMBERED AS SHOWN.

REV. DESC: REVISE TO SHOW OPTIONAL COLORS			
REV. LTR: E	BY: JLP	REVISED: 01/19/99 10:15	TDR: 0171435
900000		FILE: AAA00005140	MDL: -
		MTL: -	

BALDOR ELECTRIC Co.

3PH, DV, 9 LEADS

CD0005