

BALDOR® • **RELIANCE**

Product Information Packet

EJM3550

1.5HP,3450RPM,3PH,60HZ,56J,3520M,TEFC,F1

Part Detail							
Revision:	D	Status:	PRD/A	Change #:		Proprietary:	No
Type:	AC	Prod. Type:	3520M	Elec. Spec:	35WGM760	CD Diagram:	CD0005
Enclosure:	TEFC	Mfg Plant:		Mech. Spec:	35K521	Layout:	35LYK521
Frame:	56J	Mounting:	F1	Poles:	02	Created Date:	05-18-2015
Base:	N	Rotation:	R	Insulation:	F	Eff. Date:	04-25-2016
Leads:	9#18					Replaced By:	
Literature:		Elec. Diagram:					

Nameplate NP3441L										
CAT.NO.	EJM3550									
SPEC.	35K521M760G2									
HP	1.5									
VOLTS	230/460									
AMP	3.8/1.9									
RPM	3450									
FRAME	56J					HZ	60		PH	3
SER.F.	1.30			CODE	L	DES	B		CL	F
NEMA-NOM-EFF	84			PF	85					
RATING	40C AMB-CONT									
CC	010A					USABLE AT 208V				4
DE	6205					ODE	6203			
ENCL	TEFC			SN						
VPWM INVERTER READY										
CT6-60H(10:1)VT3-60H(20:1)										
SFA 4.8/2.4										

Parts List		
Part Number	Description	Quantity
SA300927	SA 35K521M760G2	1.000 EA
RA287995	RA 35K521M760G2	1.000 EA
34FN3002B01	EXTERNAL FAN, PLASTIC, .637/.639 HUB W/	1.000 EA
S/P107-000-001	SUPER E PROC'S-FS, WS & CK PLTS	1.000 EA
NS2512A01	INSULATOR, CONDUIT BOX X	1.000 EA
35CB3000SP	CONDUIT BOX, CAST, W/.88 DIA. LEAD HOLE	1.000 EA
36GS1000SP	GASKET-CONDUIT BOX, .06 THICK #SV-330 LE	1.000 EA
51XB1016A07	10-16 X 7/16 HXWSSLD SERTYB	2.000 EA
11XW1032G06	10-32 X .38, TAPTITE II, HEX WSHR SLTD U	1.000 EA
35EP3100M02	FREP TEFC 203 BRG W/O GRSR (RAISED FH MT	1.000 EA
HW5100A03SP	WAVY WASHER (W1543-017)	1.000 EA
35EP3300A02SP	PU ENDPLATE, MACH	1.000 EA
51XN1032A20	10-32 X 1 1/4 HX WS SL SR	2.000 EA
WD4100A10	465 NIAGARA PLUG (SO ELEC),FOR 1.093 DIA	1.000 EA
35FH4005A55	IEC FH NO GRSR,3 MTG HOLE NO DIMPLES,	1.000 EA
51XW1032A06	10-32 X .38, TAPTITE II, HEX WSHR SLTD S	3.000 EA
35CB4514	35 LIPPED CB LID	1.000 EA
36GS1001SP	GASKET, CONDUIT BOX LID, .06 THICK #SV-3	1.000 EA
51XW0832A07	8-32 X .44, TAPTITE II, HEX WSHR SLTD SE	4.000 EA
85XU0407S04	4X1/4 U DRIVE PIN STAINLESS	2.000 EA
MJ1000A02	GREASE, POLYREX EM EXXON (USe 4824-15A)	0.050 LB
HW3001B01	BRASS CUP WASHER, FOR #8 SCREW	1.000 EA
MG1000Y03	MUNSELL 2.53Y 6.70/ 4.60, GLOSS 20,	0.017 GA
HA3100A12	THRUBOLT 10-32 X 7.375	4.000 EA

Parts List (continued)		
Part Number	Description	Quantity
LB1119N	WARNING LABEL	1.000 EA
MN416A01	TAG-INSTAL-MAINT no wire (1000/bx) 11/14	1.000 EA
LB1417	LABEL CARTON 6X4 PERFORATED BLANK ROLLS	1.000 EA
LC0005	CONN.DIA.,TY M,9-LD,DUAL VOLT,REVERSING	1.000 EA
NP3441L	ALUM SUPER-E VPWM INVERTER READY UL	1.000 EA
35PA1000	PKG GRP, PRINT PK1008A06	1.000 EA
PK3082	STYROFOAM CRADLE	1.000 EA

AC Induction Motor Performance Data

Record # 50974 - Typical performance - not guaranteed values

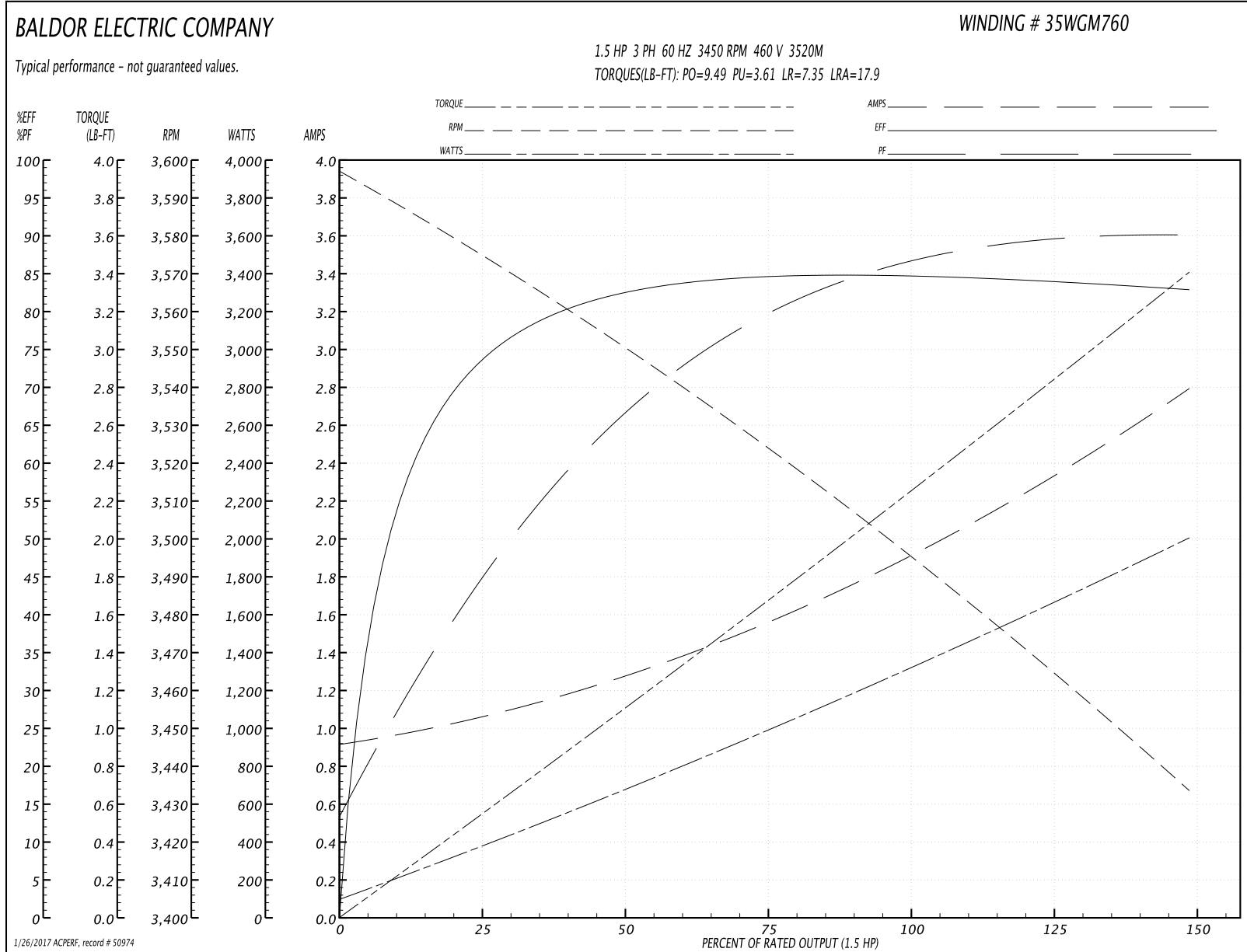
Winding: 35WGM760-R049	Type: 3520M	Enclosure: TEFC
-------------------------------	--------------------	------------------------

Nameplate Data				460 V, 60 Hz: High Voltage Connection	
Rated Output (HP)	1.5			Full Load Torque	2.22 LB-FT
Volts	230/460			Start Configuration	direct on line
Full Load Amps	3.8/1.9			Breakdown Torque	9.49 LB-FT
R.P.M.	3450			Pull-up Torque	3.61 LB-FT
Hz	60	Phase	3	Locked-rotor Torque	7.35 LB-FT
NEMA Design Code	B	KVA Code	L	Starting Current	17.9 A
Service Factor (S.F.)	1.3			No-load Current	0.932 A
NEMA Nom. Eff.	84	Power Factor	85	Line-line Res. @ 25°C	12.2 Ω
Rating - Duty	40C AMB-CONT			Temp. Rise @ Rated Load	43°C
S.F. Amps	4.8/2.4			Temp. Rise @ S.F. Load	58°C
				Locked-rotor Power Factor	60.1
				Rotor inertia	0.0553 LB-FT ²

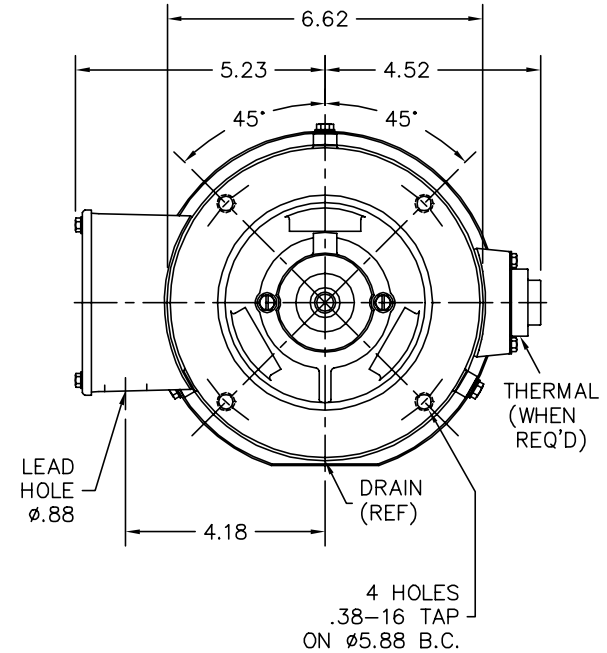
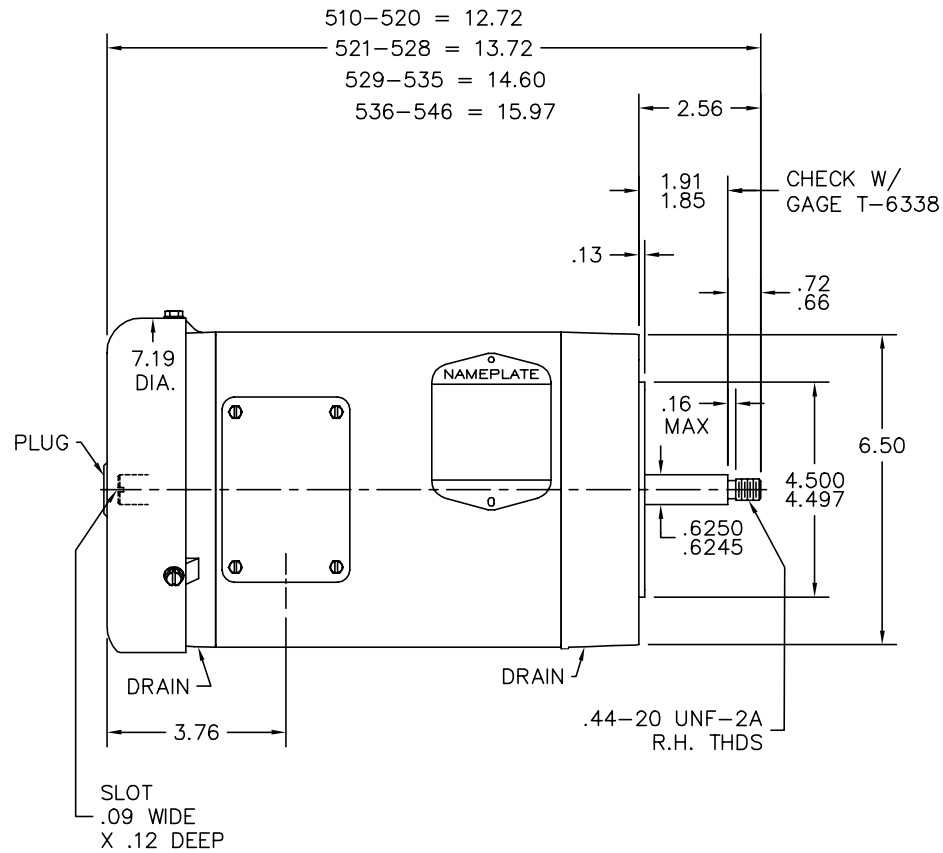
Load Characteristics 460 V, 60 Hz, 1.5 HP

% of Rated Load	25	50	75	100	125	150	S.F.
Power Factor	45	67	79	85	89	90	89
Efficiency	72.3	82.2	84.4	84.8	84.3	82.8	84
Speed	3575	3551	3526	3498	3466	3433	3459
Line amperes	1.03	1.25	1.55	1.91	2.31	2.79	2.41

Performance Graph at 460V, 60Hz, 1.5HP Typical performance - Not guaranteed values



35LYK521



CUSTOMER IS RESPONSIBLE FOR DETERMINING THAT BALDOR'S PRODUCT WILL PERFORM SUITABLY IN THE INTENDED APPLICATION.

REV. DESC: REPLACE 35SH1715- W/ 35SH1715		
REV. LTR: F	VERSION: 04	TDR: 000001004272
FILE: \AAA\00046\427	REVISED: 10:04:39 11/09/2016	BY: ENBENBO
MTL: -	☉ □	

BALDOR

VERT 56J TEFC 35M W/STAINLESS STEEL SHAFT

SH 1 of 1

35L YK521

CD0005



LOW VOLTAGE
(2Y)



LINE

HIGH VOLTAGE
(1Y)



LINE

NOTES:

1. INTERCHANGE ANY TWO LINE LEADS TO REVERSE ROTATION.
2. OPTIONAL THERMOSTATS ARE PROVIDED WHEN SPECIFIED.
3. ACTUAL NUMBER OF INTERNAL PARALLEL CIRCUITS MAY BE A MULTIPLE OF THOSE SHOWN ABOVE.
4. LEAD COLORS ARE OPTIONAL. LEADS MUST ALWAYS BE NUMBERED AS SHOWN.

REV. DESC: REVISE TO SHOW OPTIONAL COLORS			
REV. LTR: E	BY: JLP	REVISED: 01/19/99 10:15	TDR: 0171435
90000		FILE: AAA00005140	MDL: -
		MTL: -	

BALDOR ELECTRIC Co.

3PH, DV, 9 LEADS

CD0005