

# **BALDOR® • RELIANCE**

## **Product Information Packet**

### **EJM3555**

**2HP,3490RPM,3PH,60HZ,56J,3526M,TEFC,F1,N**

| Part Detail |      |                |       |             |          |               |            |
|-------------|------|----------------|-------|-------------|----------|---------------|------------|
| Revision:   | E    | Status:        | PRD/A | Change #:   |          | Proprietary:  | No         |
| Type:       | AC   | Prod. Type:    | 3526M | Elec. Spec: | 35WGM774 | CD Diagram:   | CD0005     |
| Enclosure:  | TEFC | Mfg Plant:     |       | Mech. Spec: | 35F084   | Layout:       | 35LYF084   |
| Frame:      | 56J  | Mounting:      | F1    | Poles:      | 02       | Created Date: | 05-18-2015 |
| Base:       | N    | Rotation:      | R     | Insulation: | B        | Eff. Date:    | 12-14-2016 |
| Leads:      | 9#18 |                |       |             |          | Replaced By:  |            |
| Literature: |      | Elec. Diagram: |       |             |          |               |            |

|                            |              |  |             |    |                       |      |  |           |           |   |
|----------------------------|--------------|--|-------------|----|-----------------------|------|--|-----------|-----------|---|
| <b>Nameplate NP3441L</b>   |              |  |             |    |                       |      |  |           |           |   |
| <b>CAT.NO.</b>             | EJM3555      |  |             |    |                       |      |  |           |           |   |
| <b>SPEC.</b>               | 35F084M774G4 |  |             |    |                       |      |  |           |           |   |
| <b>HP</b>                  | 2            |  |             |    |                       |      |  |           |           |   |
| <b>VOLTS</b>               | 230/460      |  |             |    |                       |      |  |           |           |   |
| <b>AMP</b>                 | 5/2.5        |  |             |    |                       |      |  |           |           |   |
| <b>RPM</b>                 | 3450         |  |             |    |                       |      |  |           |           |   |
| <b>FRAME</b>               | 56J          |  |             |    | <b>HZ</b>             | 60   |  |           | <b>PH</b> | 3 |
| <b>SER.F.</b>              | 1.20         |  | <b>CODE</b> | M  | <b>DES</b>            | B    |  | <b>CL</b> | B         |   |
| <b>NEMA-NOM-EFF</b>        | 85.5         |  | <b>PF</b>   | 88 |                       |      |  |           |           |   |
| <b>RATING</b>              | 40C AMB-CONT |  |             |    |                       |      |  |           |           |   |
| <b>CC</b>                  | 010A         |  |             |    | <b>USABLE AT 208V</b> |      |  | 5.3       |           |   |
| <b>DE</b>                  | 6205         |  |             |    | <b>ODE</b>            | 6203 |  |           |           |   |
| <b>ENCL</b>                | TEFC         |  | <b>SN</b>   |    |                       |      |  |           |           |   |
| <b>VPWM INVERTER READY</b> |              |  |             |    |                       |      |  |           |           |   |
| CT6-60H(10:1)VT3-60H(20:1) |              |  |             |    |                       |      |  |           |           |   |
| SFA 5.8/2.9                |              |  |             |    |                       |      |  |           |           |   |

| Parts List     |   |          |
|----------------|---|----------|
| Part Number    | Description                               | Quantity |
| SA300928       | SA 35F084M774G4                           | 1.000 EA |
| RA287996       | RA 35F084M774G4                           | 1.000 EA |
| S/P107-000-001 | SUPER E PROC'S-FS, WS & CK PLTS           | 1.000 EA |
| NS2512A01      | INSULATOR, CONDUIT BOX X                  | 1.000 EA |
| 35CB3007       | 35 CB CASTING W/.88 DIA. LEAD HOLE        | 1.000 EA |
| 36GS1000SP     | GASKET-CONDUIT BOX, .06 THICK #SV-330 LE  | 1.000 EA |
| 51XB1016A07    | 10-16 X 7/16 HXWSSLD SERTYB               | 2.000 EA |
| 11XW1032G06    | 10-32 X .38, TAPTITE II, HEX WSHR SLTD U  | 1.000 EA |
| 35EP3100M02    | FREP TEFC 203 BRG W/O GR SR (RAISED FH MT | 1.000 EA |
| HW5100A03SP    | WAVY WASHER (W1543-017)                   | 1.000 EA |
| 35EP3300A02SP  | PU ENDPLATE, MACH                         | 1.000 EA |
| 51XN1032A20    | 10-32 X 1 1/4 HX WS SL SR                 | 2.000 EA |
| 51XB1214A16    | 12-14X1.00 HXWSSLD SERTYB                 | 1.000 EA |
| WD4100A10      | 465 NIAGARA PLUG (SO ELEC),FOR 1.093 DIA  | 1.000 EA |
| 35FH4005A55    | IEC FH NO GR SR,3 MTG HOLE NO DIMPLES,    | 1.000 EA |
| 51XW1032A06    | 10-32 X .38, TAPTITE II, HEX WSHR SLTD S  | 3.000 EA |
| 35CB4521       | 35 LIPPED CB LID (GALV & PHOSPH)          | 1.000 EA |
| 35GS1030       | 35 GS FOR CB LID - LEXIDE                 | 1.000 EA |
| 51XW0832A07    | 8-32 X .44, TAPTITE II, HEX WSHR SLTD SE  | 4.000 EA |
| 85XU0407S04    | 4X1/4 U DRIVE PIN STAINLESS               | 2.000 EA |
| LB1009N        | LABEL,ROTATION DIRECTION (ON ROLLS)       | 1.000 EA |
| MJ1000A02      | GREASE, POLYREX EM EXXON (USe 4824-15A)   | 0.050 LB |
| MG1000Y03      | MUNSELL 2.53Y 6.70/ 4.60, GLOSS 20,       | 0.017 GA |
| 34FN3002B01    | EXTERNAL FAN, PLASTIC, .637/.639 HUB W/   | 1.000 EA |

| <b>Parts List (continued)</b> |  |                 |
|-------------------------------|--|-----------------|
| <b>Part Number</b>            | <b>Description</b>                       | <b>Quantity</b> |
| HA3100A15                     | THRUBOLT 10-32 X 8.375                   | 4.000 EA        |
| LB1417                        | LABEL CARTON 6X4 PERFORATED BLANK ROLLS  | 1.000 EA        |
| LC0005E01                     | CONN.DIA./WARNING LABEL (LC0005/LB1119N) | 1.000 EA        |
| MN416A01                      | TAG-INSTAL-MAINT no wire (1000/bx) 11/14 | 1.000 EA        |
| NP3441L                       | ALUM SUPER-E VPWM INVERTER READY UL      | 1.000 EA        |
| 35PA1000                      | PKG GRP, PRINT PK1008A06                 | 1.000 EA        |
| PK3082                        | STYROFOAM CRADLE                         | 1.000 EA        |

**AC Induction Motor Performance Data**

Record # 50976 - Typical performance - not guaranteed values

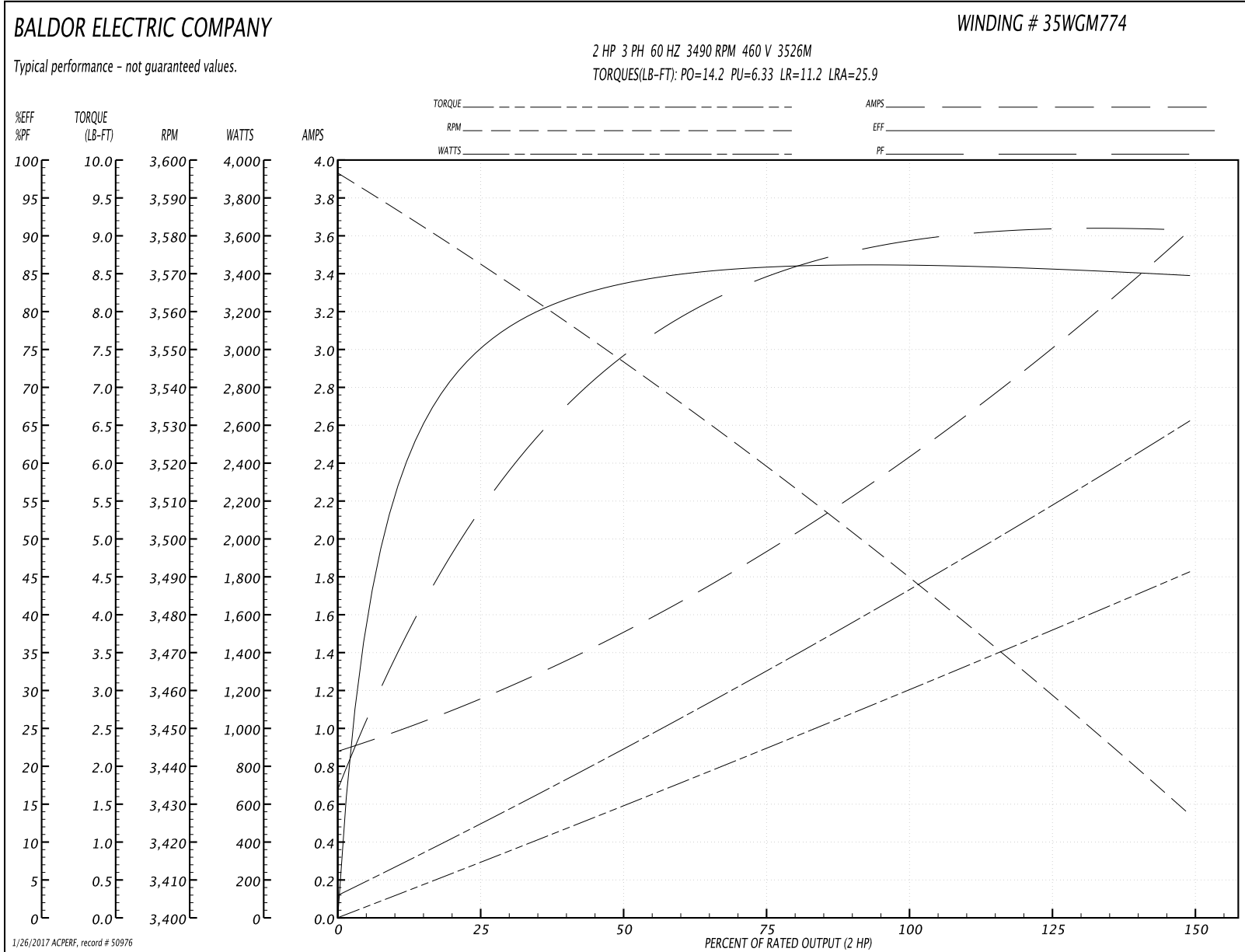
|                               |                    |                        |
|-------------------------------|--------------------|------------------------|
| <b>Winding:</b> 35WGM774-R067 | <b>Type:</b> 3526M | <b>Enclosure:</b> TEFC |
|-------------------------------|--------------------|------------------------|

| Nameplate Data        |              |              |    | 460 V, 60 Hz:<br>High Voltage Connection |                           |
|-----------------------|--------------|--------------|----|--|---------------------------|
| Rated Output (HP)     | 2            |              |    | Full Load Torque                         | 2.98 LB-FT                |
| Volts                 | 230/460      |              |    | Start Configuration                      | direct on line            |
| Full Load Amps        | 5/2.5        |              |    | Breakdown Torque                         | 14.2 LB-FT                |
| R.P.M.                | 3490         |              |    | Pull-up Torque                           | 6.33 LB-FT                |
| Hz                    | 60           | Phase        | 3  | Locked-rotor Torque                      | 11.2 LB-FT                |
| NEMA Design Code      | B            | KVA Code     | M  | Starting Current                         | 25.9 A                    |
| Service Factor (S.F.) | 1.2          |              |    | No-load Current                          | 0.912 A                   |
| NEMA Nom. Eff.        | 85.5         | Power Factor | 88 | Line-line Res. @ 25°C                    | 6.88 Ω                    |
| Rating - Duty         | 40C AMB-CONT |              |    | Temp. Rise @ Rated Load                  | 44°C                      |
| S.F. Amps             | 5.8/2.9      |              |    | Temp. Rise @ S.F. Load                   | 55°C                      |
|                       |              |              |    | Locked-rotor Power Factor                | 49.9                      |
|                       |              |              |    | Rotor inertia                            | 0.0719 LB-FT <sup>2</sup> |

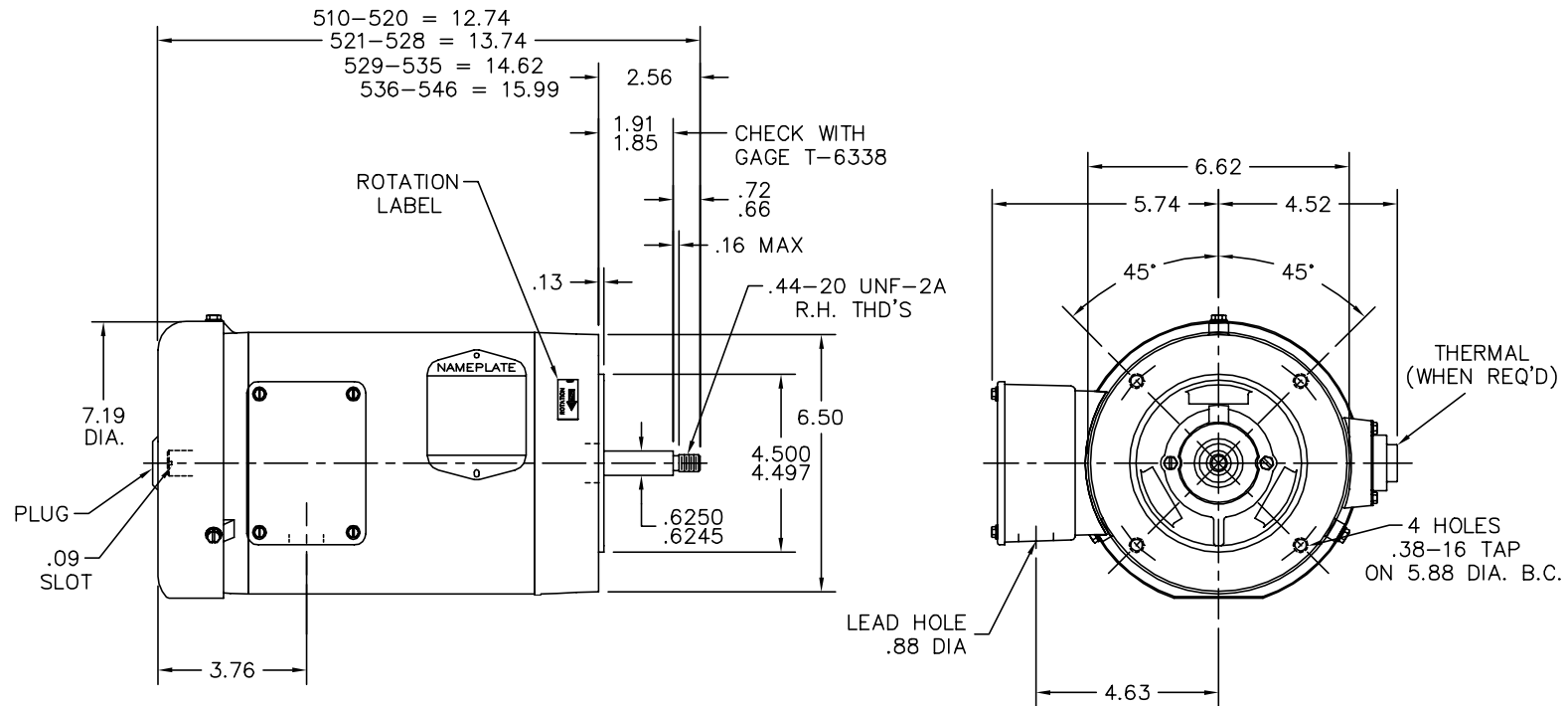
Load Characteristics 460 V, 60 Hz, 2 HP

| % of Rated Load | 25   | 50   | 75   | 100  | 125  | 150  | S.F. |
|-----------------|------|------|------|------|------|------|------|
| Power Factor    | 55   | 75   | 84   | 88   | 90   | 91   | 90   |
| Efficiency      | 73.4 | 83.6 | 85.8 | 86.3 | 85.8 | 84.7 | 85.9 |
| Speed           | 3572 | 3547 | 3520 | 3492 | 3461 | 3426 | 3467 |
| Line amperes    | 1.1  | 1.47 | 1.93 | 2.44 | 3    | 3.61 | 2.89 |

Performance Graph at 460V, 60Hz, 2.0HP Typical performance - Not guaranteed values



35LYF084



CUSTOMER IS RESPONSIBLE FOR DETERMINING THAT BALDOR'S PRODUCT WILL PERFORM SUITABLY IN THE INTENDED APPLICATION.

|  |                              |                   |
|--|------------------------------|-------------------|
| REV. DESC: UPDATE PARTS, ADD/FIX DIMS & STANDARIZE DESC. |                              |                   |
| REV. LTR: S  | VERSION: 03                  | TDR: 000000876757 |
| FILE: \AAA\00008\273                                     | REVISED: 12:50:40 10/23/2014 | BY: ENMAIYO       |
| MTL: -   | Ⓢ Ⓜ                          |                   |

**BALDOR**

STD VERT 56J TEFC 35M

SH 1 of 1

35LYF084

CD0005

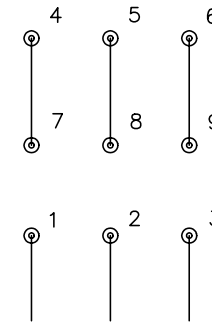


LOW VOLTAGE  
(2Y)



LINE

HIGH VOLTAGE  
(1Y)



LINE

NOTES:

1. INTERCHANGE ANY TWO LINE LEADS TO REVERSE ROTATION.
2. OPTIONAL THERMOSTATS ARE PROVIDED WHEN SPECIFIED.
3. ACTUAL NUMBER OF INTERNAL PARALLEL CIRCUITS MAY BE A MULTIPLE OF THOSE SHOWN ABOVE.
4. LEAD COLORS ARE OPTIONAL. LEADS MUST ALWAYS BE NUMBERED AS SHOWN.

|   |         |                         |              |
|---|---------|-------------------------|--------------|
| REV. DESC: REVISE TO SHOW OPTIONAL COLORS |         |                         |              |
| REV. LTR: E                               | BY: JLP | REVISED: 01/19/99 10:15 | TDR: 0171435 |
| 9000D                                     |         | FILE: AAA00005140       | MDL: -       |
|   |         | MTL: -                  |              |

**BALDOR ELECTRIC Co.**

3PH, DV, 9 LEADS

CD0005