

BALDOR® • **RELIANCE**

Product Information Packet

EL11208

.5HP,3450RPM,1PH,60HZ,48,3413LC,ODP,F1,N

Part Detail							
Revision:	C	Status:	PRD/A	Change #:		Proprietary:	No
Type:	AC	Prod. Type:	3413LC	Elec. Spec:	34WGR142	CD Diagram:	CD0055
Enclosure:	ODP	Mfg Plant:		Mech. Spec:	34F351	Layout:	34LYF351
Frame:	48	Mounting:	F1	Poles:	02	Created Date:	03-10-2014
Base:	RG	Rotation:	R	Insulation:	F	Eff. Date:	11-06-2015
Leads:	6#18					Replaced By:	
Literature:		Elec. Diagram:					

Nameplate NP3155L												
CAT.NO.	EL11208											
SPEC.	34F351R142G1											
HP	.5											
VOLTS	115/230											
AMP	4.9/2.5											
RPM	3450											
FRAME	48					HZ	60			PH	1	
SER.F.	1.25					CODE	L		DES	N	CL	F
F.L. AVG. EFF.	72.4					PF	91					
RATING	40C AMB-CONT											
CC												USABLE AT 208V
DE	6203					ODE	6203					
ENCL	ODP					SN						
	SFA 5.8/2.9											

Parts List		
Part Number	Description	Quantity
SA278051	SA 34F351R142G1	1.000 EA
RA264596	RA 34F351R142G1	1.000 EA
OC3025F11	CYL OIL CAP 25MFD/370V	1.000 EA
EC1400A03SP	ELEC CAP, 400-480 MFD, 125V, 1.81D X 3.	1.000 EA
NS2512A01	INSULATOR, CONDUIT BOX X	1.000 EA
34CB3002A	CB CAST W/.88 DIA HOLE	1.000 EA
51XB1016A07	10-16 X 7/16 HXWSSLD SERTYB	2.000 EA
11XW1032G06	10-32 X .38, TAPTITE II, HEX WSHR SLTD U	1.000 EA
51XW0832A07	8-32 X .44, TAPTITE II, HEX WSHR SLTD SE	2.000 EA
SP1006A01	TERM. BOARD, MODE 35 SW X H-23655	1.000 EA
34EP3210A01SP	FR ENDPLATE, MACH	1.000 EA
34GS5003A01	FOAM SLEEVE, ID = 2 1/16" X 4 3/8"	2.000 EA
34CB3801	CAPACITOR BOX, DIE CAST	1.000 EA
51XB1214A08	12-14 X 1/2HX WS SL SR TYBX	2.000 EA
HW5100A03SP	WAVY WASHER (W1543-017)	1.000 EA
34EP3212A02	PU ENDPLATE, MODEL 34 OPEN	1.000 EA
XY1032A02	10-32 HEX NUT DIRECTIONAL SERRATION	4.000 EA
34CB4517	CB LID 4 MTG HOLES .22 DIA STAMPED, FOR	1.000 EA
51XW0832A07	8-32 X .44, TAPTITE II, HEX WSHR SLTD SE	4.000 EA
MG1000Y03	MUNSELL 2.53Y 6.70/ 4.60, GLOSS 20,	0.014 GA
10XF0440S02	04-40 X 1/8 TYPE F HEX HD STAINLESS STIC	2.000 EA
HA3100A44	THRUBOLT 10-32 X 8.000	4.000 EA
SP5056A18	MODEL 34 TYPE LC STATIONARY SWITCH WITH	1.000 EA
MN416A01	TAG-INSTAL-MAINT no wire (1000/bx) 11/14	1.000 EA

Parts List (continued)		
Part Number	Description	Quantity
LC0001A01	CONN LABEL / WARNING LABEL (LC0001 / LB1	1.000 EA
NP3155L	ALUM SUPER-E UL CSA CC "SEMS"	1.000 EA
35PA1000	PKG GRP, PRINT PK1008A06	1.000 EA

AC Induction Motor Performance Data

Record # 49329 - Typical performance - not guaranteed values

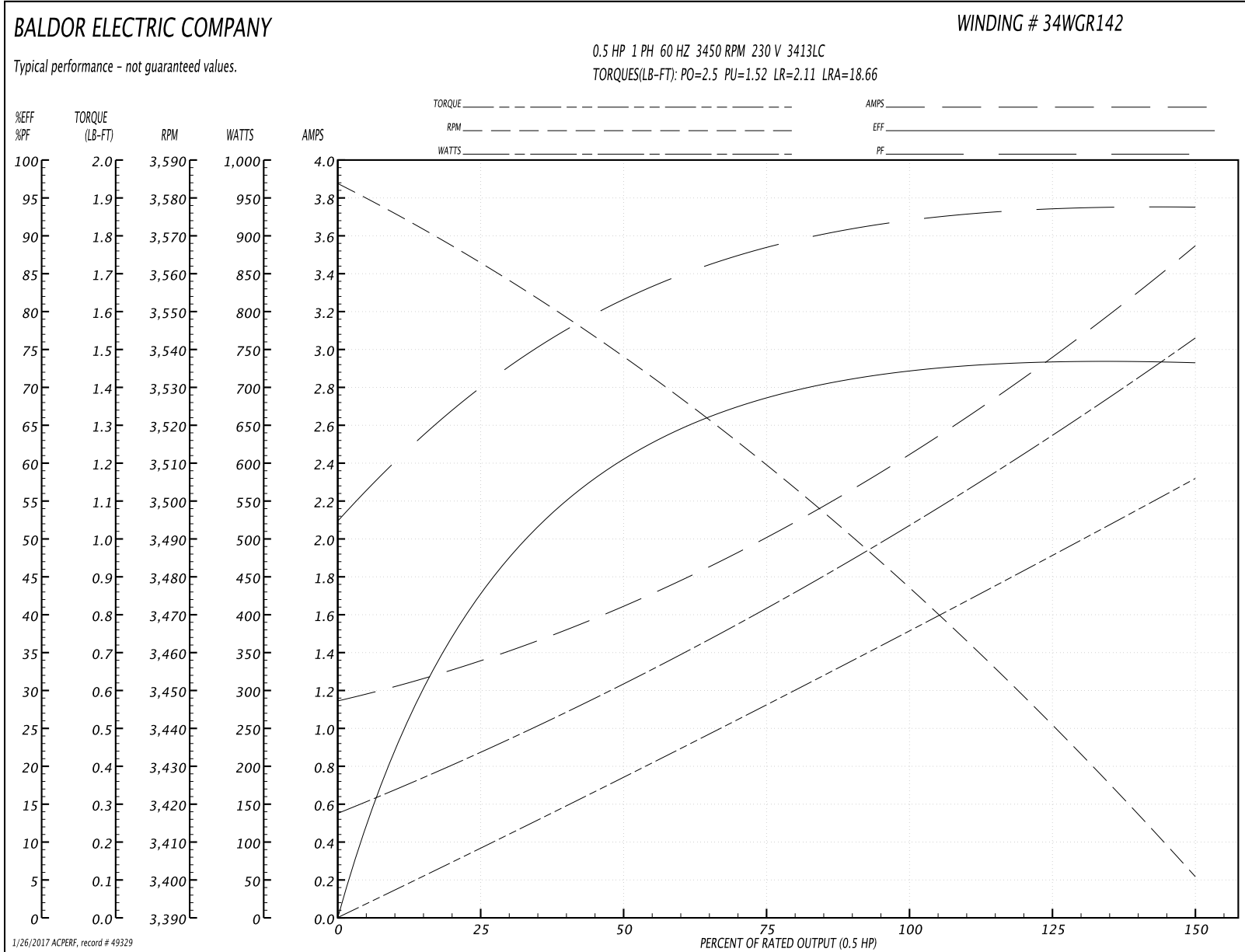
Winding: 34WGR142-R001	Type: 3413LC	Enclosure: OPEN
-------------------------------	---------------------	------------------------

Nameplate Data				230 V, 60 Hz: High Voltage Connection	
Rated Output (HP)	.5			Full Load Torque	0.755 LB-FT
Volts	115/230			Start Configuration	direct on line
Full Load Amps	4.9/2.5			Breakdown Torque	2.5 LB-FT
R.P.M.	3450			Pull-up Torque	1.52 LB-FT
Hz	60	Phase	1	Locked-rotor Torque	2.11 LB-FT
NEMA Design Code	N	KVA Code	L	Starting Current	18.66 A
Service Factor (S.F.)	1.25			No-load Current	1.15 A
NEMA Nom. Eff.	72.4	Power Factor	91	Line-line Res. @ 25°C	4.36 Ω A Ph 4.65 Ω B Ph
Rating - Duty	40C AMB-CONT			Temp. Rise @ Rated Load	21°C
S.F. Amps	5.8/2.9			Temp. Rise @ S.F. Load	25°C
				Rotor inertia	0.0121 LB-FT ²

Load Characteristics 230 V, 60 Hz, 0.5 HP

% of Rated Load	25	50	75	100	125	150	S.F.
Power Factor	71	83	88	92	93	94	93
Efficiency	42.3	58.9	69.5	73.2	72.8	73.3	72.8
Speed	3562	3535	3512	3481	3436	3402	3436
Line amperes	1.34	1.67	1.99	2.42	3.01	3.53	3.01

Performance Graph at 230V, 60Hz, 0.5HP Typical performance - Not guaranteed values



AC Induction Motor Performance Data

Record # 49398 - Typical performance - not guaranteed values

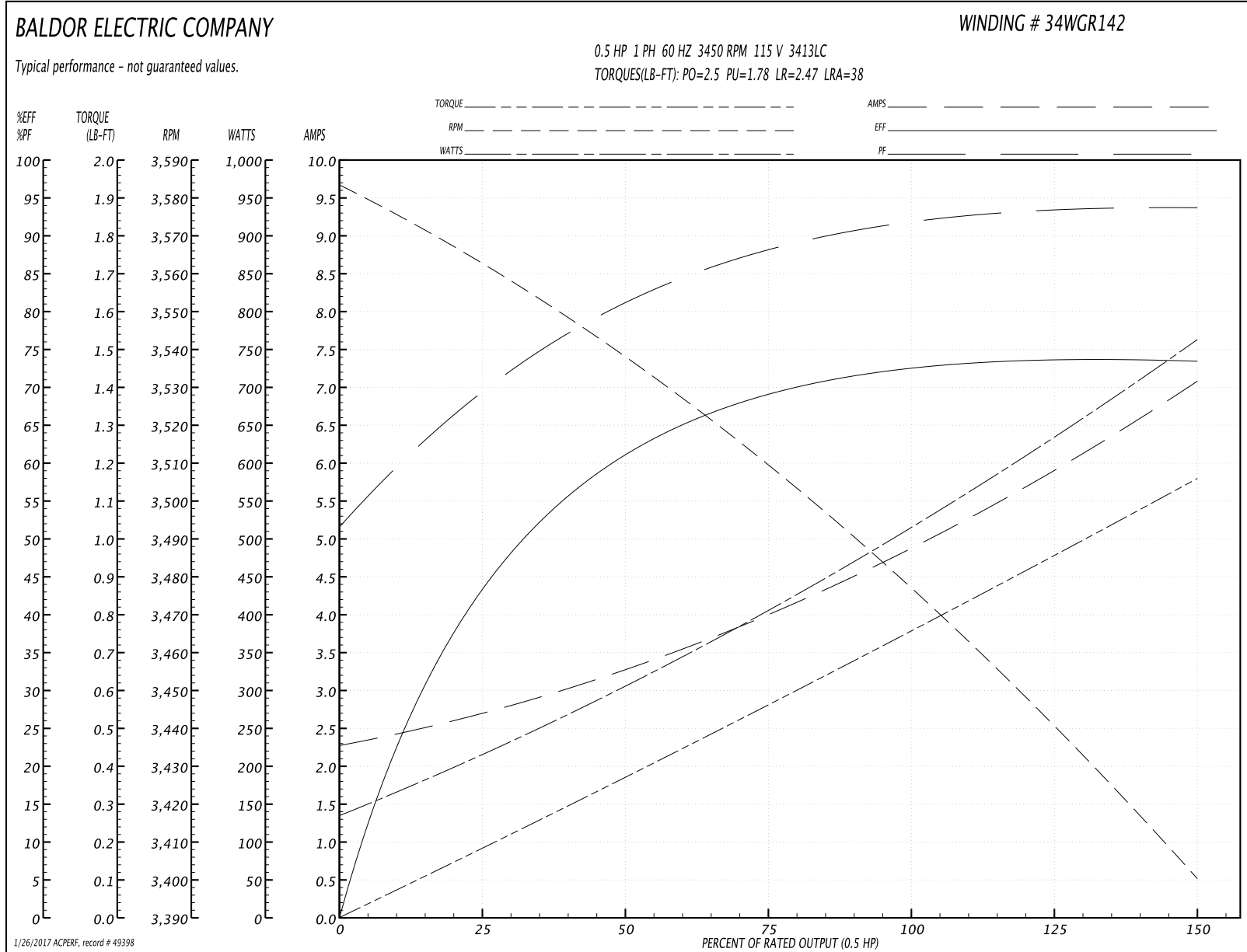
Winding: 34WGR142-R001	Type: 3413LC	Enclosure: OPEN
-------------------------------	---------------------	------------------------

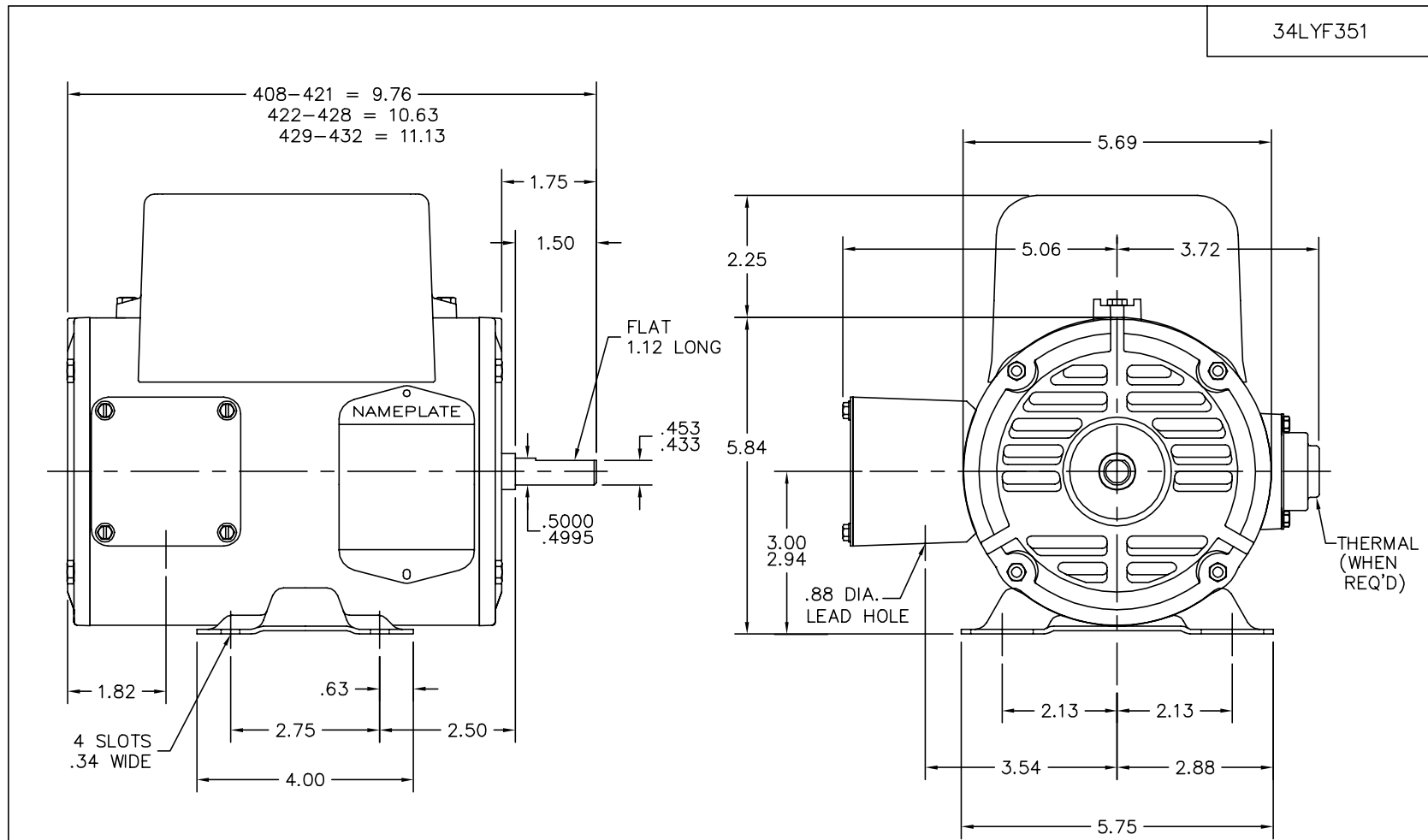
Nameplate Data				115 V, 60 Hz: Low Voltage Connection	
Rated Output (HP)	.5			Full Load Torque	0.755 LB-FT
Volts	115/230			Start Configuration	direct on line
Full Load Amps	4.9/2.5			Breakdown Torque	2.5 LB-FT
R.P.M.	3450			Pull-up Torque	1.78 LB-FT
Hz	60	Phase	1	Locked-rotor Torque	2.47 LB-FT
NEMA Design Code	N	KVA Code	L	Starting Current	38 A
Service Factor (S.F.)	1.25			No-load Current	2.28 A
NEMA Nom. Eff.	72.4	Power Factor	91	Line-line Res. @ 25°C	1.1337 Ω A Ph 4.8491 Ω B Ph
Rating - Duty	40C AMB-CONT			Temp. Rise @ Rated Load	21°C
S.F. Amps	5.8/2.9			Temp. Rise @ S.F. Load	27°C

Load Characteristics 115 V, 60 Hz, 0.5 HP

% of Rated Load	25	50	75	100	125	150	S.F.
Power Factor	70	82	88	91	93	94	93
Efficiency	42.8	59.4	69.9	73.5	73	73.2	73
Speed	3561.5	3535	3512.3	3480.9	3435.5	3401.6	3436
Line amperes	2.67	3.33	3.96	4.83	6	7.05	6

Performance Graph at 115V, 60Hz, 0.5HP Typical performance - Not guaranteed values





CUSTOMER IS RESPONSIBLE FOR DETERMINING THAT MOTOR PERFORMANCE IS SUITABLE IN THE APPLICATION.

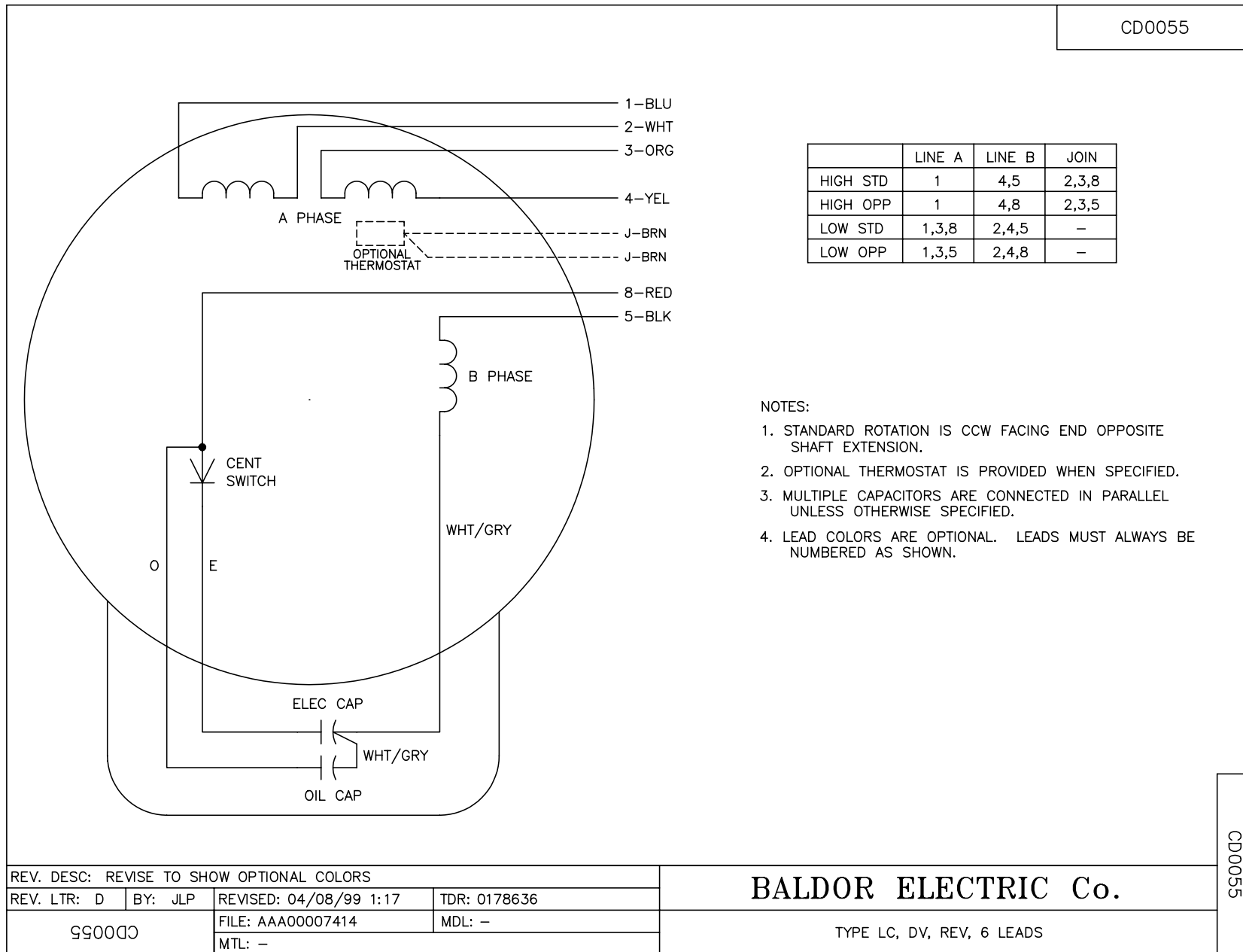
REV. DESC: DIM: KOBX LOC FROM ODE TO THE CENTERLINE OF KOBX		TDR: 000000386903	
REV. LTR: C	VERSION: 02	FILE: \AAA\00037\242	
		REVISED: 11:20:24 01/26/2006	
34LYF351	MTL: -	BY: ENMARW1	

BALDOR ELECTRIC Co.

STD HOR 34LC NEMA 48 OPEN

34LYF351

CD0055



REV. DESC: REVISE TO SHOW OPTIONAL COLORS			
REV. LTR: D	BY: JLP	REVISED: 04/08/99 1:17	TDR: 0178636
990000		FILE: AAA00007414	MDL: -
		MTL: -	

BALDOR ELECTRIC Co.

TYPE LC, DV, REV, 6 LEADS

CD0055