

BALDOR® • **RELIANCE**

Product Information Packet

EM2543TS-12

50HP, 1775RPM, 3PH, 60HZ, 326TS, 4256M, OPSB, F

Part Detail							
Revision:	K	Status:	PRD/A	Change #:		Proprietary:	No
Type:	AC	Prod. Type:	4256M	Elec. Spec:	42WGW480	CD Diagram:	CD0104
Enclosure:	OPSB	Mfg Plant:		Mech. Spec:	42F58	Layout:	42LYF058
Frame:	326TS	Mounting:	F1	Poles:	04	Created Date:	08-03-2010
Base:	RG	Rotation:	R	Insulation:	F	Eff. Date:	09-06-2016
Leads:	12#8					Replaced By:	
Literature:		Elec. Diagram:					

Nameplate NP3554L											
CAT.NO.	EM2543TS-12			P/N				ENCLOSURE	OPSB		
SPEC.	42F058W480		CC	010A	FRAME	326TS		S/N			
HP	50			CLASS	F	HZ	60				
RPM	1775			PH	3	DES	B				
VOLT	230/460			KVA-CODE	H		ODE BRG	6311		DE BRG	6312
AMP	122/61			USABLE AT 208V							
RATING	40C AMB-CONT			NEMA-NOM-EFF			94.5		GREASE		POLYREX EM
PF	81	SER.F.	1.15		VPWM INVERTER READY						
HTR-VOLTS			HTR-AMPS			MAX. SPACE HEATER TEMP.					

Parts List		
Part Number	Description	Quantity
SA200904	SA 42F058W480	1.000 EA
RA188214	RA 42F058W480	1.000 EA
S/P107-000-004	SUPER-E(284 FR. & UP)-CL PLANT,POLYREX E	1.000 EA
HA6360	LIFTING LUG FOR 42 FRAME MOTORS.	2.000 EA
HA6017	CAST ADAPTER, 40,42 KOBX	1.000 EA
19XW3118A12	.31-18 X .75 HEX WASHER HEAD TAPTITE II	2.000 EA
HW1001A31	LOCKWASHER 5/16, ZINC PLT.591 OD, .319 I	2.000 EA
10CB3001	CONDUIT BOX CAST W/2.500 LEAD HOLE	1.000 EA
19XW3118A12	.31-18 X .75 HEX WASHER HEAD TAPTITE II	4.000 EA
HW1001A31	LOCKWASHER 5/16, ZINC PLT.591 OD, .319 I	4.000 EA
WD1000B16	T&B CX70TN TERMINAL	1.000 EA
51XF2520A08	SCREW, HEX SER SLT HD, ZN 1/4-20 X .50 L	1.000 EA
42EP3200A01	FR ENDPLATE, MACH 324-6T	1.000 EA
HW5100A13	W4627-047 WVY WSHR	1.000 EA
42EP3200B02	PU ENDPLATE, MACH 324-6T	1.000 EA
XY5013A12	NUT,1/2-13,HEX,STEEL,ZINCPLATED	8.000 EA
10CB3500SP	CONDUIT BOX LID, CAST	1.000 EA
51XW2520A12	.25-20 X .75, TAPTITE II, HEX WSHR SLTD	4.000 EA
HW2501H18	KEY, 1/2 SQ X 2.000	1.000 EA
LB1115N	LABEL,LIFTING DEVICE (ON ROLLS)	1.000 EA
MN416A01	TAG-INSTAL-MAINT no wire (1000/bx) 11/14	1.000 EA
HW4500A03	GREASE FITTING, .125 NPT 1610(ALEMITE) 8	1.000 EA
HW4500A20	1/8NPT SL PIPE PLUG	1.000 EA
HA4051A00	PLASTIC CAP FOR GREASE FITTING	1.000 EA

Parts List (continued)		
Part Number	Description	Quantity
MJ1000A02	GREASE, POLYREX EM EXXON (USe 4824-15A)	0.030 LB
HW4500A03	GREASE FITTING, .125 NPT 1610(ALEMITE) 8	1.000 EA
HW4500A20	1/8NPT SL PIPE PLUG	1.000 EA
HA4051A00	PLASTIC CAP FOR GREASE FITTING	1.000 EA
MG1000Y03	MUNSELL 2.53Y 6.70/ 4.60, GLOSS 20,	0.080 GA
85XU0407S04	4X1/4 U DRIVE PIN STAINLESS	4.000 EA
42AD2001A01	BAFFLE PLATE 42 OPEN, SLOTTED BAND MTRS	1.000 EA
42AD2001A01	BAFFLE PLATE 42 OPEN, SLOTTED BAND MTRS	1.000 EA
HA3151A03	THRUBOLT STUD 1/2-13 X 20.5	4.000 EA
LB1119N	WARNING LABEL	1.000 EA
LC0104A01	CONNECTION DIAGRAM	1.000 EA
NP3554L	SS SUPER-E UL CSA-EEV PREM CC	1.000 EA
42PA1000	PACKAGING GROUP PRINT PK1024A06	1.000 EA

AC Induction Motor Performance Data

Record # 13699 - Typical performance - not guaranteed values

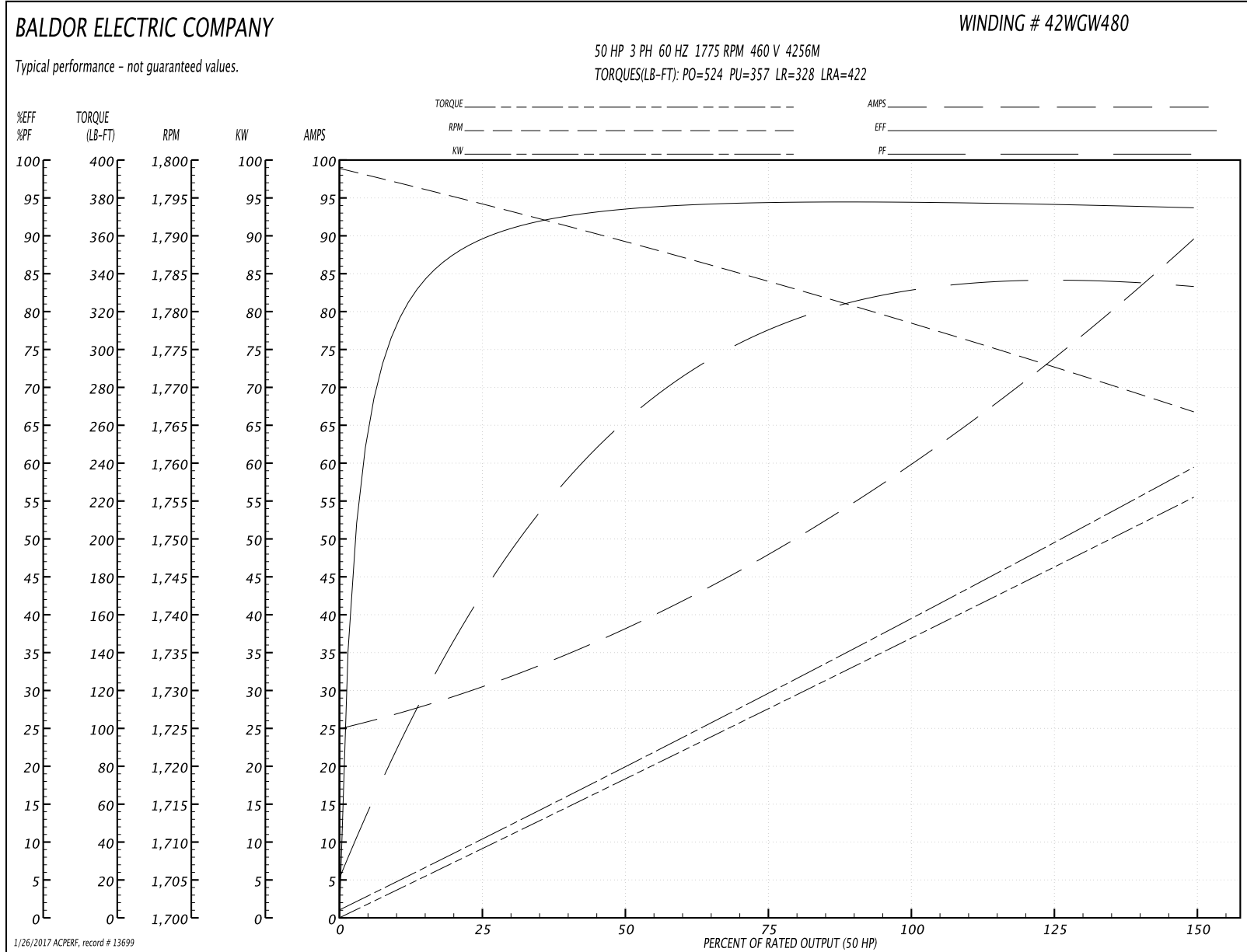
Winding: 42WGW480-R001	Type: 4256M	Enclosure: OPSB
-------------------------------	--------------------	------------------------

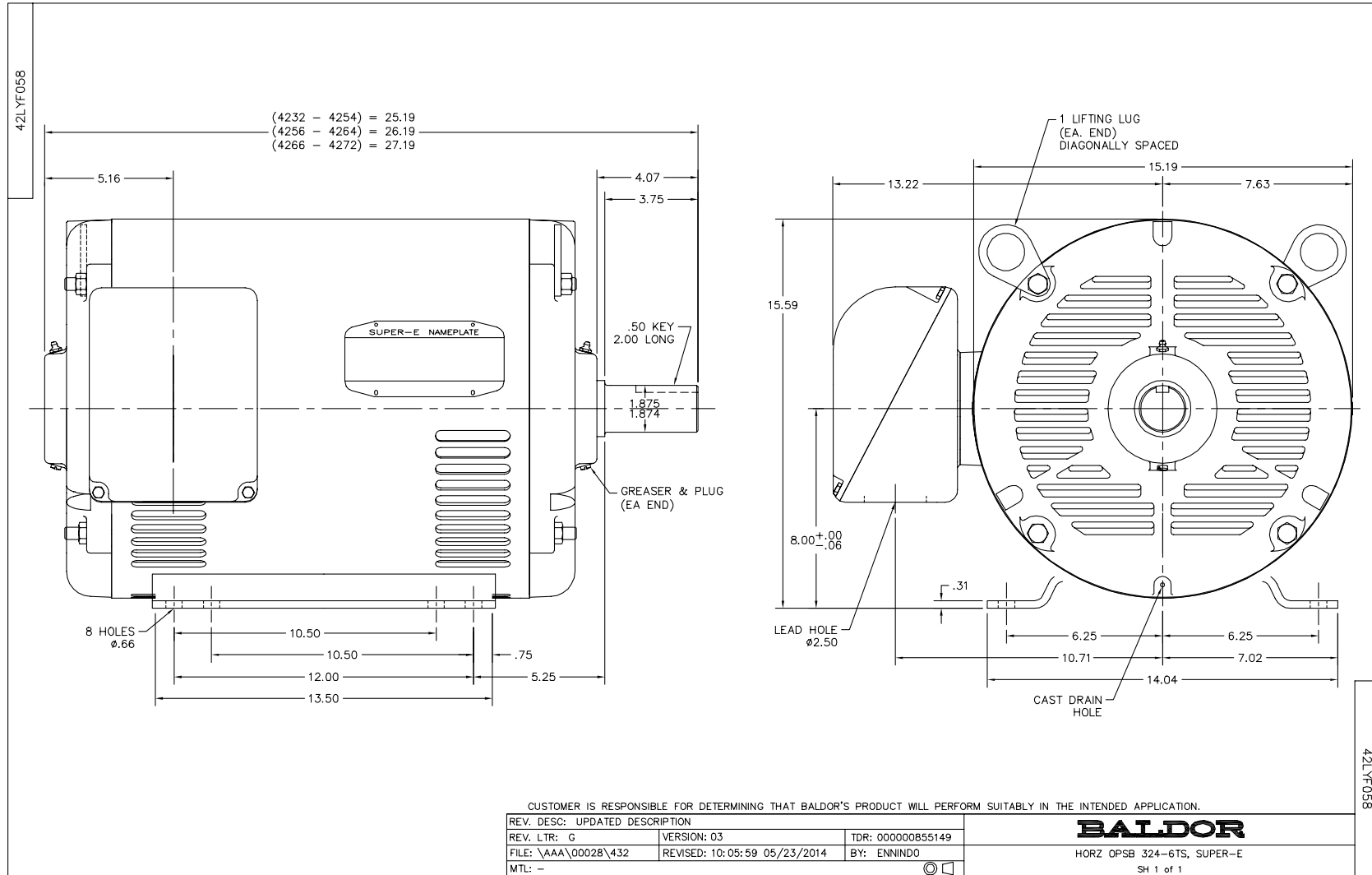
Nameplate Data				460 V, 60 Hz: High Voltage Connection	
Rated Output (HP)	50			Full Load Torque	148 LB-FT
Volts	230/460			Start Configuration	direct on line
Full Load Amps	122/61			Breakdown Torque	524 LB-FT
R.P.M.	1775			Pull-up Torque	357 LB-FT
Hz	60	Phase	3	Locked-rotor Torque	328 LB-FT
NEMA Design Code	B	KVA Code	H	Starting Current	422 A
Service Factor (S.F.)	1.15			No-load Current	25.9 A
NEMA Nom. Eff.	94.5	Power Factor	81	Line-line Res. @ 25°C	0.112 Ω
Rating - Duty	40C AMB-CONT			Temp. Rise @ Rated Load	18°C
S.F. Amps				Temp. Rise @ S.F. Load	21°C
				Locked-rotor Power Factor	27
				Rotor inertia	7.46 LB-FT ²

Load Characteristics 460 V, 60 Hz, 50 HP

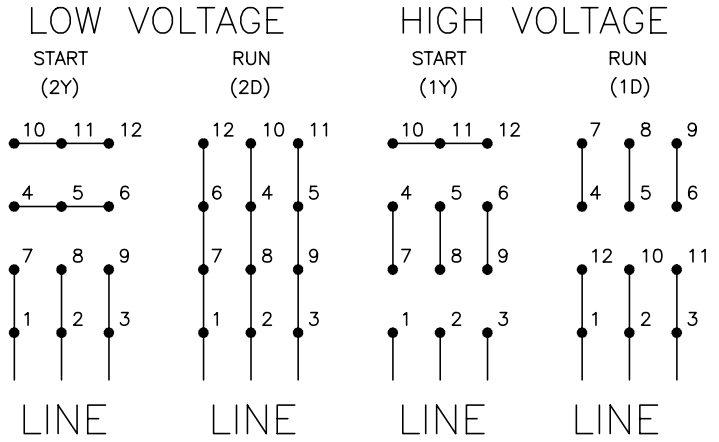
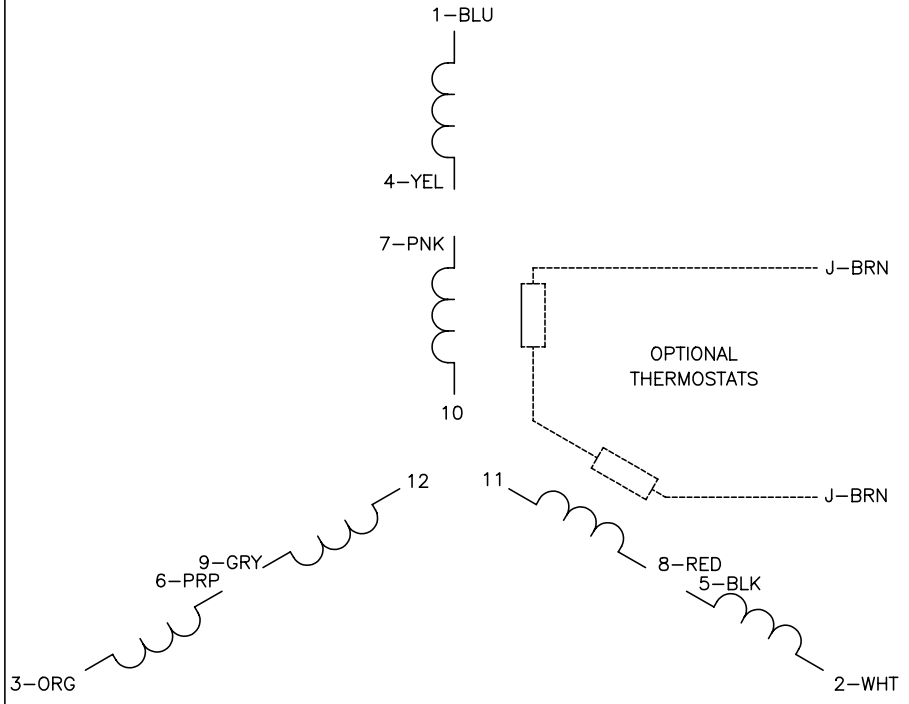
% of Rated Load	25	50	75	100	125	150	S.F.
Power Factor	45	67	77	82	84	84	83
Efficiency	89.6	93.5	94.4	94.5	94.1	93.7	94.3
Speed	1794	1789	1784	1779	1772	1767	1775
Line amperes	29.4	37.6	48.4	60.8	74.3	88.9	68.9

Performance Graph at 460V, 60Hz, 50.0HP Typical performance - Not guaranteed values





CD0104



- NOTES:
1. INTERCHANGE ANY TWO LINE LEADS TO REVERSE ROTATION.
 2. OPTIONAL THERMOSTATS ARE PROVIDED WHEN SPECIFIED.
 3. ACTUAL NUMBER OF INTERNAL PARALLEL CIRCUITS MAY BE A MULTIPLE OF THOSE SHOWN ABOVE.
 4. LEAD COLORS ARE OPTIONAL. LEADS MUST ALWAYS BE NUMBERED AS SHOWN.

REV. DESC: REVISE TO SHOW OPTIONAL COLORS			
REV. LTR: C	BY: JLP	REVISED: 01/19/99 4:24	TDR: 0171435
CD0104		FILE: AAA00008377	MDL: -
		MTL: -	

BALDOR ELECTRIC Co.

3PH, DV, 12 LEADS, Y START/D RUN

CD0104