

BALDOR® • ***RELIANCE***

Product Information Packet

EM3157T-8G

2HP,1750RPM,3PH,60HZ,145T,3525M,OPSB,F1

Part Detail							
Revision:	H	Status:	PRD/A	Change #:		Proprietary:	No
Type:	AC	Prod. Type:	3524M	Elec. Spec:	35WGM921	CD Diagram:	CD0006
Enclosure:	OPSB	Mfg Plant:		Mech. Spec:	35Z069	Layout:	35LYZ069
Frame:	145T	Mounting:	F1	Poles:	04	Created Date:	09-11-2013
Base:	RG	Rotation:	R	Insulation:	H	Eff. Date:	12-01-2016
Leads:	3#16					Replaced By:	
Literature:		Elec. Diagram:					

Nameplate NP1259L										
CAT.NO.	EM3157T-8G									
SPEC.	35Z069M921G2									
HP	2									
VOLTS	200									
AMP	6.5									
RPM	1750									
FRAME	145T					HZ	60		PH	3
SER.F.	1.15			CODE	K		DES	B	CL	H
NEMA-NOM-EFF	86.5			PF	77					
RATING	40C AMB-CONT									
CC	010A								USABLE AT 208V	
DE	6205					ODE	6203			
ENCL	OPSB			SN						

Parts List		
Part Number	Description	Quantity
SA269044	SA 35Z069M921G2	1.000 EA
RA255698	RA 35Z069M921G2	1.000 EA
NS2512A01	INSULATOR, CONDUIT BOX X	1.000 EA
35CB3009	35 CB W/1.09 DIA. LEAD HOLE @ 6:	1.000 EA
51XB1016A07	10-16 X 7/16 HXWSSLD SERTYB	2.000 EA
11XW1032G06	10-32 X .38, TAPTITE II, HEX WSHR SLTD U	1.000 EA
35EP3201A03	STD FR EP OPEN-203BRG-35L OR M FRAME--LE	1.000 EA
HW5100A03SP	WAVY WASHER (W1543-017)	1.000 EA
35EP3200A31	PU ENDPLATE, MACH	1.000 EA
51XN1032A18	10-32 X 1 1/8 HX WS SL SR (ESKAY)	2.000 EA
XY1032A02	10-32 HEX NUT DIRECTIONAL SERRATION	4.000 EA
35CB4521	35 LIPPED CB LID (GALV & PHOSPH)	1.000 EA
51XW0832A07	8-32 X .44, TAPTITE II, HEX WSHR SLTD SE	4.000 EA
HW2501D13	KEY, 3/16 SQ X 1.375	1.000 EA
HA7000A01	KEY RETAINER 7/8" DIA SHAFT	1.000 EA
85XU0407S04	4X1/4 U DRIVE PIN STAINLESS	2.000 EA
LB1459	AEGIS SGR LABEL "AEGISLBL-100"	1.000 EA
MJ1000A02	GREASE, POLYREX EM EXXON (USe 4824-15A)	0.050 LB
MG1000Y03	MUNSELL 2.53Y 6.70/ 4.60, GLOSS 20,	0.017 GA
HA3100A45	THRUBOLT 10-32 X 8.875	4.000 EA
35AD2005A01	BAFFLE PLATE,MOD 35-SLTD BAND MTRS GL.F.	2.000 EA
LB1119N	WARNING LABEL	1.000 EA
LC0006	CONNECTION LABEL	1.000 EA
NP1259L	ALUM SUPER-E UL CSA-EEV CC NEMA PREMIUM	1.000 EA

Parts List (continued)		
Part Number	Description	Quantity
35PA1066	PKG GRP, PRINT PK1008A06	1.000 EA
MN416A01	TAG-INSTAL-MAINT no wire (1000/bx) 11/14	1.000 EA
LB1350	BAR CODE LABEL FOR YORK	1.000 EA

AC Induction Motor Performance Data

Record # 50435 - Typical performance - not guaranteed values

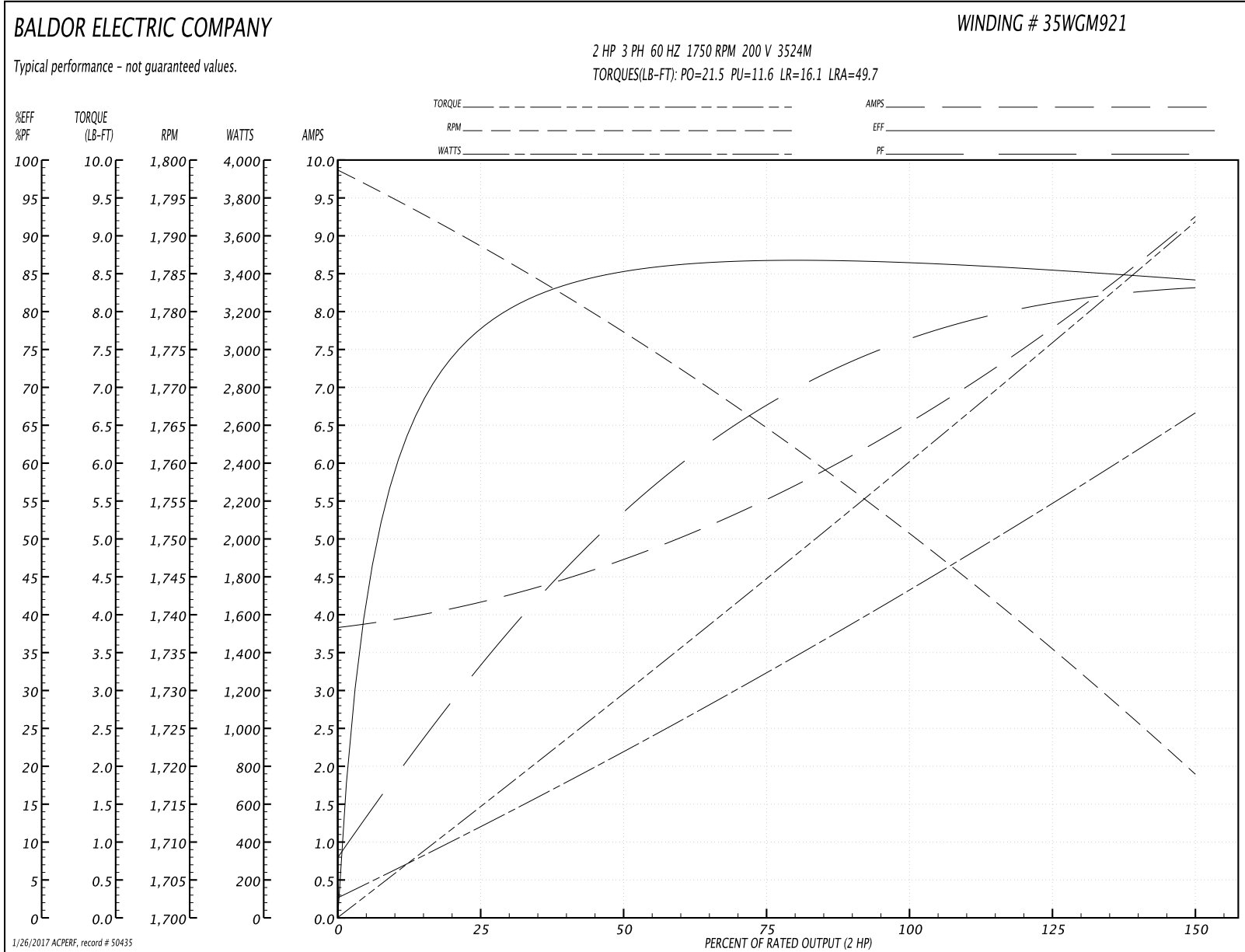
Winding: 35WGM921-R002	Type: 3524M	Enclosure: OPSB
-------------------------------	--------------------	------------------------

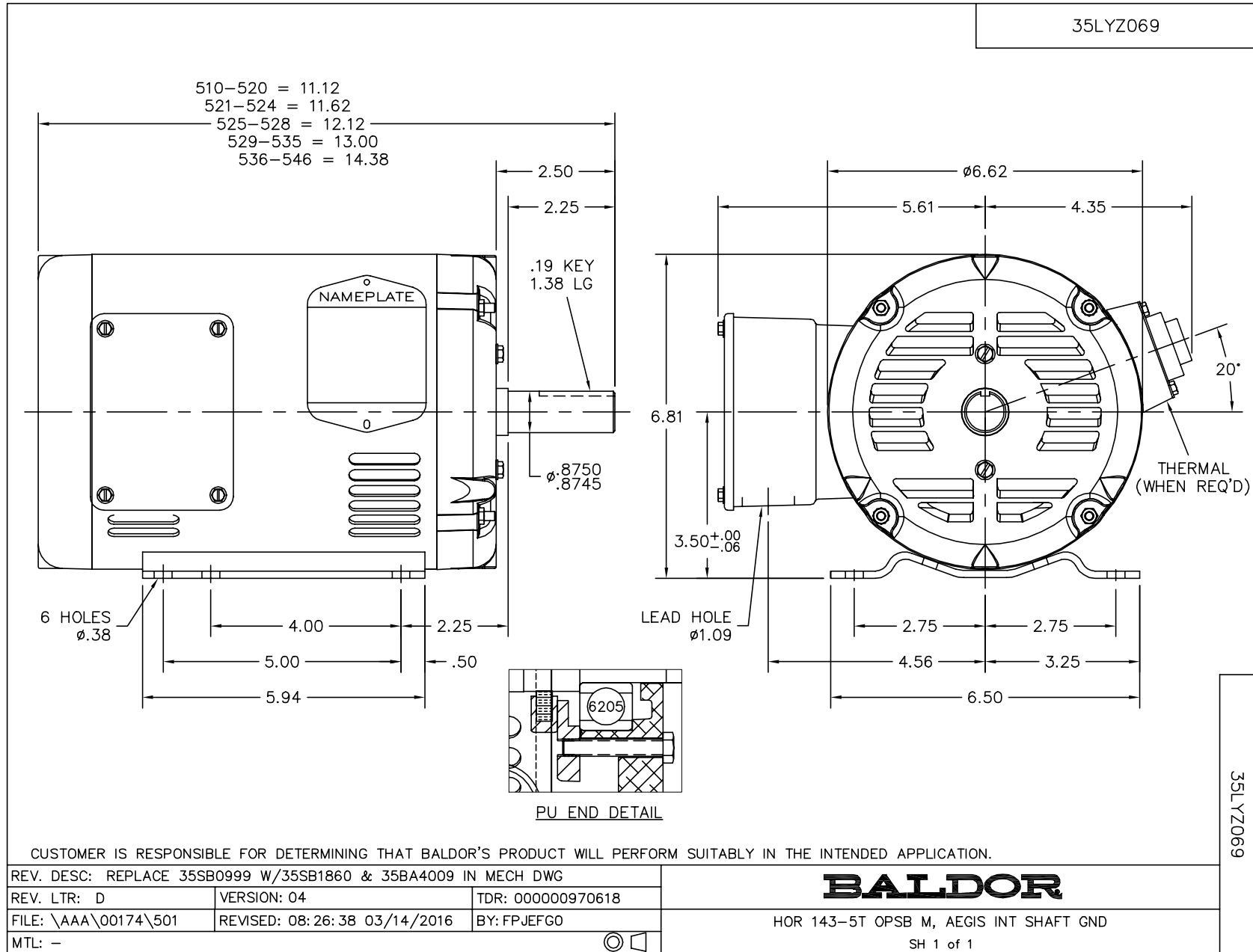
Nameplate Data				200 V, 60 Hz: Single Voltage Motor	
Rated Output (HP)	2			Full Load Torque	6.02 LB-FT
Volts	200			Start Configuration	direct on line
Full Load Amps	6.5			Breakdown Torque	21.5 LB-FT
R.P.M.	1750			Pull-up Torque	11.6 LB-FT
Hz	60	Phase	3	Locked-rotor Torque	16.1 LB-FT
NEMA Design Code	B	KVA Code	K	Starting Current	49.7 A
Service Factor (S.F.)	1.15			No-load Current	3.89 A
NEMA Nom. Eff.	86.5	Power Factor	77	Line-line Res. @ 25°C	1.64 Ω
Rating - Duty	40C AMB-CONT			Temp. Rise @ Rated Load	37°C
S.F. Amps				Temp. Rise @ S.F. Load	44°C
				Locked-rotor Power Factor	52.7
				Rotor inertia	0.142 LB-FT ²

Load Characteristics 200 V, 60 Hz, 2 HP

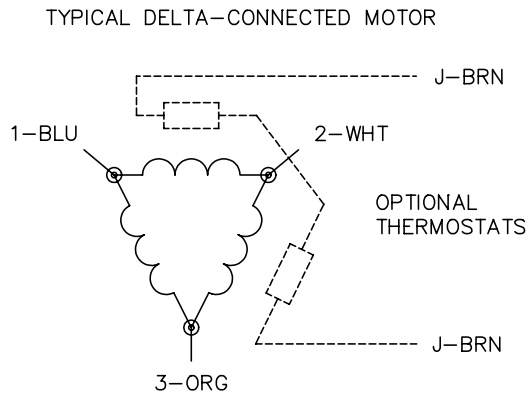
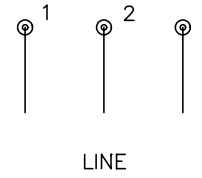
% of Rated Load	25	50	75	100	125	150	S.F.
Power Factor	34	55	67	76	81	84	79
Efficiency	77.6	85	86.8	86.6	85.6	84.1	86.1
Speed	1788	1777	1765	1751	1735	1719	1748
Line amperes	4.1	4.68	5.56	6.59	7.81	9.22	7.26

Performance Graph at 200V, 60Hz, 2.0HP Typical performance - Not guaranteed values





CD0006



NOTES:

1. THREE LEAD MOTOR MAY BE EITHER WYE CONNECTED OR DELTA CONNECTED.
2. INTERCHANGE ANY TWO LINE LEADS TO REVERSE ROTATION.
3. OPTIONAL THERMOSTATS ARE PROVIDED WHEN SPECIFIED.
4. ACTUAL NUMBER OF INTERNAL PARALLEL CIRCUITS MAY VARY.
5. LEAD COLORS ARE OPTIONAL. LEADS MUST BE NUMBERED AS SHOWN.

REV. DESC: REVISE TO SHOW OPTIONAL COLORS			
REV. LTR: D	BY: JLP	REVISED: 01/21/99 4:02	TDR: 0171435
9000D		FILE: AAA00005141	MDL: -
		MTL: -	

BALDOR ELECTRIC Co.

3PH, SV, 3 LEADS, WYE OR DELTA CONNECTED

CD0006