

BALDOR® • **RELIANCE**

Product Information Packet

EM3216T

1HP,850RPM,3PH,60HZ,182T,3628M,OPEN,F1,N

Part Detail							
Revision:	C	Status:	PRD/A	Change #:		Proprietary:	No
Type:	AC	Prod. Type:	3628M	Elec. Spec:	36WGR622	CD Diagram:	CD0005
Enclosure:	OPEN	Mfg Plant:		Mech. Spec:	36B001	Layout:	36LYB001
Frame:	182T	Mounting:	F1	Poles:	08	Created Date:	04-27-2015
Base:	RG	Rotation:	R	Insulation:	F	Eff. Date:	08-23-2016
Leads:	9#16					Replaced By:	
Literature:		Elec. Diagram:					

Nameplate NP2116L												
CAT.NO.	EM3216T											
SPEC.	36B001R622G1											
HP	1											
VOLTS	230/460											
AMP	4.2/2.1											
RPM	850											
FRAME	182T					HZ	60			PH	3	
SER.F.	1.15			CODE	J			DES	B		CL	F
NEMA-NOM-EFF	75.5			PF	60							
RATING	40C AMB-CONT											
CC	010A							USABLE AT 208V	4.2			
DE	6206			ODE	6205							
ENCL	OPEN			SN								

Parts List		
Part Number	Description	Quantity
SA299824	SA 36B001R622G1	1.000 EA
RA286857	RA 36B001R622G1	1.000 EA
36CB3004	36 CB CASTING W/1.09 DIA LEAD HOLE @ 6:0	1.000 EA
51XB1016A08	10-16X 1/2HXWSSLD SERTYB	2.000 EA
11XW1032G06	10-32 X .38, TAPTITE II, HEX WSHR SLTD U	1.000 EA
HW3001B01	BRASS CUP WASHER, FOR #8 SCREW	1.000 EA
36EP3200A01	FR ENDPLATE, ASSEMBLY FOR ROUTING	1.000 EA
HW4500A01	1641B(ALEMITE)400 UNIV, GREASE FITT	1.000 EA
HW5100A05	WVY WSHR F/205 & 304 BRGS	1.000 EA
36PE3201A01	PU ENDPLATE, ASSEMBLY FOR ROUTING	1.000 EA
HW4500A01	1641B(ALEMITE)400 UNIV, GREASE FITT	1.000 EA
XY2520A12	1/4-20 HEX NUT, DIRECTIONAL SERRATIONS	4.000 EA
36CB4516	36 LIPPED CB LID	1.000 EA
51XW0832A07	8-32 X .44, TAPTITE II, HEX WSHR SLTD SE	4.000 EA
HW2501E16	3KEY, 1/4 SQ X 1.750	1.000 EA
HA7000A02	KEY RETAINER RING, 1 1/8 DIA, 1 3/8 DIA	1.000 EA
85XU0407S04	4X1/4 U DRIVE PIN STAINLESS	2.000 EA
MJ1000A02	GREASE, POLYREX EM EXXON (USe 4824-15A)	0.050 LB
HA3101A25	THRUBOLT 1/4-20 X 11.000 OHIO ROD	4.000 EA
MG1000Y03	MUNSELL 2.53Y 6.70/ 4.60, GLOSS 20,	0.022 GA
LC0005E01	CONN.DIA./WARNING LABEL (LC0005/LB1119N)	1.000 EA
NP2116L	ALUM SUPER-E UL CSA CC	1.000 EA
36PA1001	PKG GRP, PRINT PK1017A06	1.000 EA
MN416A01	TAG-INSTAL-MAINT no wire (1000/bx) 11/14	1.000 EA

AC Induction Motor Performance Data

Record # 50457 - Typical performance - not guaranteed values

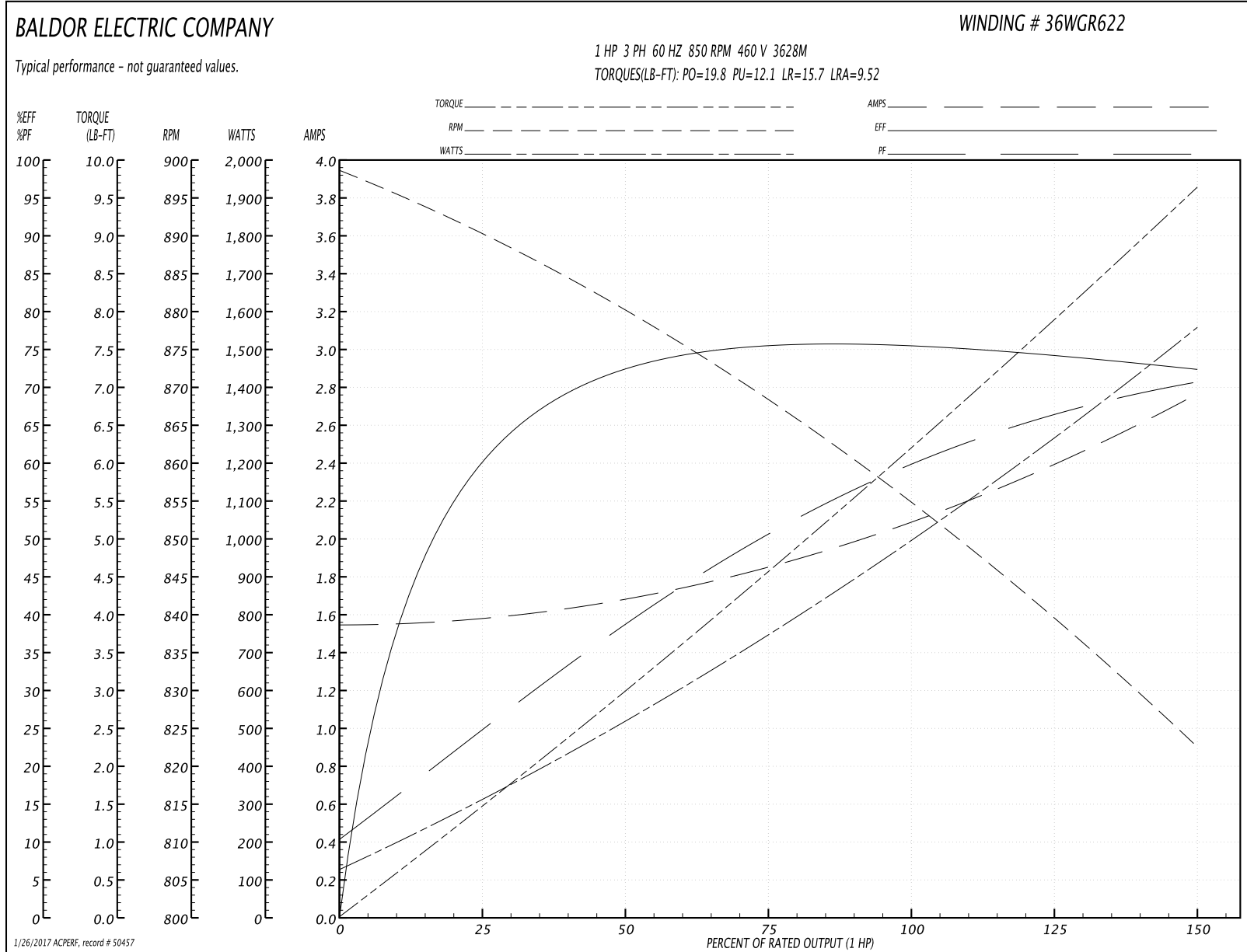
Winding: 36WGR622-R003	Type: 3628M	Enclosure: OPEN
-------------------------------	--------------------	------------------------

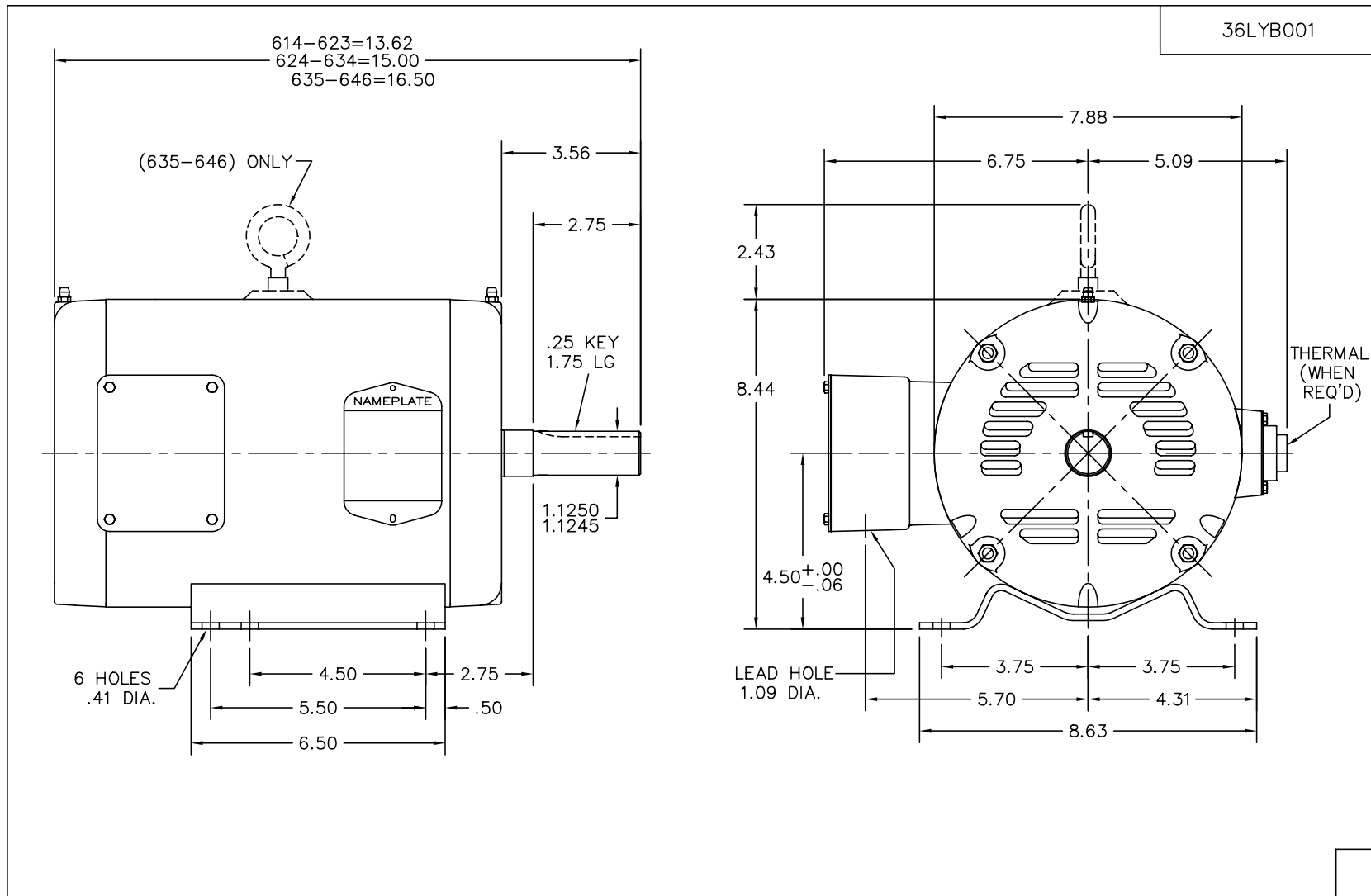
Nameplate Data				460 V, 60 Hz: High Voltage Connection	
Rated Output (HP)	1			Full Load Torque	6.26 LB-FT
Volts	230/460			Start Configuration	direct on line
Full Load Amps	4.2/2.1			Breakdown Torque	19.8 LB-FT
R.P.M.	850			Pull-up Torque	12.1 LB-FT
Hz	60	Phase	3	Locked-rotor Torque	15.7 LB-FT
NEMA Design Code	B	KVA Code	J	Starting Current	9.52 A
Service Factor (S.F.)	1.15			No-load Current	1.55 A
NEMA Nom. Eff.	75.5	Power Factor	60	Line-line Res. @ 25°C	15.2 Ω
Rating - Duty	40C AMB-CONT			Temp. Rise @ Rated Load	62°C
S.F. Amps				Temp. Rise @ S.F. Load	72°C
				Locked-rotor Power Factor	46.4
				Rotor inertia	0.263 LB-FT ²

Load Characteristics 460 V, 60 Hz, 1 HP

% of Rated Load	25	50	75	100	125	150	S.F.
Power Factor	26	39	51	60	66	71	64
Efficiency	60.3	71.7	75.3	76	74.6	72.1	75.2
Speed	890	879	868	855	840	822	846
Line amperes	1.57	1.69	1.87	2.09	2.39	2.77	2.27

Performance Graph at 460V, 60Hz, 1.0HP Typical performance - Not guaranteed values





36LYB001

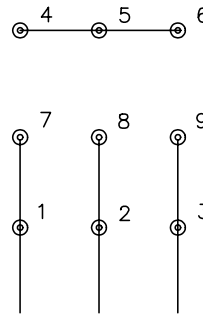
CUST. NAME		CUST. P.O.		CERTIFIED BY		MODEL		INSUL		AMB	
H.P.		MTG		TYPE		R.P.M.		VOLTS		ENCL	
PHASE		FREQ		FRAME							
REV. DESC: CHG'D TO HAVE NEW NEC CONDUIT BOX											
REV. LTR: M		BY: JD		REVISED: 05/19/99 3:45		TDR: 0181963					
36LYB001				FILE: AAA00002559		MDL: -					
				MTL: -		STANDARD HORZ NEMA 182-4T OPEN 36M					

36LYB001

CD0005

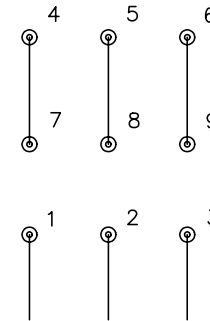


LOW VOLTAGE
(2Y)



LINE

HIGH VOLTAGE
(1Y)



LINE

NOTES:

1. INTERCHANGE ANY TWO LINE LEADS TO REVERSE ROTATION.
2. OPTIONAL THERMOSTATS ARE PROVIDED WHEN SPECIFIED.
3. ACTUAL NUMBER OF INTERNAL PARALLEL CIRCUITS MAY BE A MULTIPLE OF THOSE SHOWN ABOVE.
4. LEAD COLORS ARE OPTIONAL. LEADS MUST ALWAYS BE NUMBERED AS SHOWN.

REV. DESC: REVISE TO SHOW OPTIONAL COLORS			
REV. LTR: E	BY: JLP	REVISED: 01/19/99 10:15	TDR: 0171435
90000		FILE: AAA00005140	MDL: -
		MTL: -	

BALDOR ELECTRIC Co.

3PH, DV, 9 LEADS

CD0005