

BALDOR® • **RELIANCE**

Product Information Packet

EM3545-G

1HP,3450RPM,3PH,60HZ,56,3516M,TEFC,F1,N

Part Detail							
Revision:	H	Status:	PRD/A	Change #:		Proprietary:	No
Type:	AC	Prod. Type:	3516M	Elec. Spec:	35WGY474	CD Diagram:	CD0005
Enclosure:	TEFC	Mfg Plant:		Mech. Spec:	35Z951	Layout:	35LYZ951
Frame:	56	Mounting:	F1	Poles:	02	Created Date:	11-18-2011
Base:	RG	Rotation:	R	Insulation:	H	Eff. Date:	11-29-2016
Leads:	9#18					Replaced By:	
Literature:		Elec. Diagram:					

Nameplate NP1259L											
CAT.NO.	EM3545-G										
SPEC.	35Z951Y474G1										
HP	1										
VOLTS	230/460										
AMP	2.8/1.4										
RPM	3450										
FRAME	56					HZ	60		PH	3	
SER.F.	1.25					CODE	K	DES	B	CL	H
NEMA-NOM-EFF	77					PF	87				
RATING	40C AMB-CONT										
CC	010A							USABLE AT 208V	3		
DE	6205					ODE	6203				
ENCL	TEFC					SN					
	SFA 3.4/1.7										

Parts List		
Part Number	Description	Quantity
SA234553	SA 35Z951Y474G1	1.000 EA
RA221525	RA 35Z951Y474G1	1.000 EA
S/P107-000-001	SUPER E PROC'S-FS, WS & CK PLTS	1.000 EA
NS2512A01	INSULATOR, CONDUIT BOX X	1.000 EA
35CB3007	35 CB CASTING W/.88 DIA. LEAD HOLE	1.000 EA
36GS1000SP	GASKET-CONDUIT BOX, .06 THICK #SV-330 LE	1.000 EA
51XB1016A07	10-16 X 7/16 HXWSSLD SERTYB	2.000 EA
11XW1032G06	10-32 X .38, TAPTITE II, HEX WSHR SLTD U	1.000 EA
35EP3100M01	FREP TEFC 203 BRG W/GRSR (RAISED FH PADS	1.000 EA
HW4500A01	1641B(ALEMITE)400 UNIV, GREASE FITT	1.000 EA
HW5100A03SP	WAVY WASHER (W1543-017)	1.000 EA
35EP3101A49	SPL PUEP-ENCL-205 BRG W/GREASER	1.000 EA
HW4500A01	1641B(ALEMITE)400 UNIV, GREASE FITT	1.000 EA
51XN1032A18	10-32 X 1 1/8 HX WS SL SR (ESKAY)	2.000 EA
XY1032A02	10-32 HEX NUT DIRECTIONAL SERRATION	4.000 EA
35FH4005A84SP	IEC FH W/GRSR, NO DIMPLES PRIMED	1.000 EA
51XW1032A06	10-32 X .38, TAPTITE II, HEX WSHR SLTD S	3.000 EA
35CB4521	35 LIPPED CB LID (GALV & PHOSPH)	1.000 EA
35GS1030	35 GS FOR CB LID - LEXIDE	1.000 EA
51XW0832A07	8-32 X .44, TAPTITE II, HEX WSHR SLTD SE	4.000 EA
HW2501D13	KEY, 3/16 SQ X 1.375	1.000 EA
HA7000A04	KEY RETAINER 0.625 DIA SHAFTS	1.000 EA
85XU0407S04	4X1/4 U DRIVE PIN STAINLESS	2.000 EA
LB1459	AEGIS SGR LABEL "AEGISLBL-100"	1.000 EA

Parts List (continued)		
Part Number	Description	Quantity
MJ1000A02	GREASE, POLYREX EM EXXON (USe 4824-15A)	0.050 LB
MG1000Y03	MUNSELL 2.53Y 6.70/ 4.60, GLOSS 20,	0.017 GA
35FN3002A05	EXFN, PLASTIC, 6.376 OD, .638 ID	1.000 EA
51XB1214A16	12-14X1.00 HXWSSLD SERTYB	1.000 EA
HA3100A15	THRUBOLT 10-32 X 8.375	4.000 EA
LC0005E01	CONN.DIA./WARNING LABEL (LC0005/LB1119N)	1.000 EA
MN416A01	TAG-INSTAL-MAINT no wire (1000/bx) 11/14	1.000 EA
NP1259L	ALUM SUPER-E UL CSA-EEV CC NEMA PREMIUM	1.000 EA
35PA1000	PKG GRP, PRINT PK1008A06	1.000 EA
LB1350	BAR CODE LABEL FOR YORK	1.000 EA

AC Induction Motor Performance Data

Record # 36063 - Typical performance - not guaranteed values

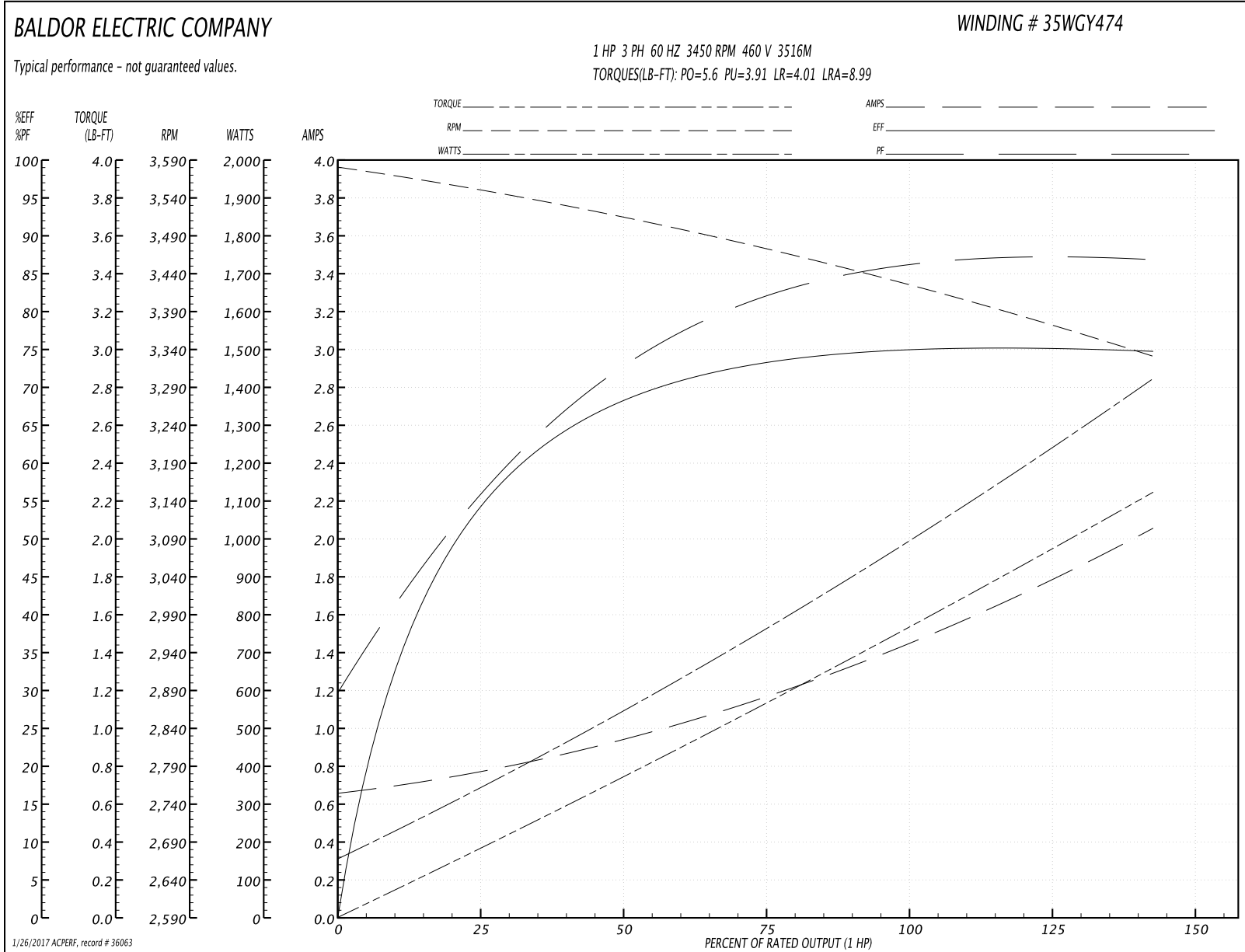
Winding: 35WGY474-R015	Type: 3516M	Enclosure: TEFC
-------------------------------	--------------------	------------------------

Nameplate Data				460 V, 60 Hz: High Voltage Connection	
Rated Output (HP)	1			Full Load Torque	1.5 LB-FT
Volts	230/460			Start Configuration	direct on line
Full Load Amps	2.8/1.4			Breakdown Torque	5.6 LB-FT
R.P.M.	3450			Pull-up Torque	3.91 LB-FT
Hz	60	Phase	3	Locked-rotor Torque	4.01 LB-FT
NEMA Design Code	B	KVA Code	K	Starting Current	8.99 A
Service Factor (S.F.)	1.25			No-load Current	0.66 A
NEMA Nom. Eff.	77	Power Factor	87	Line-line Res. @ 25°C	19.4 Ω
Rating - Duty	40C AMB-CONT			Temp. Rise @ Rated Load	47°C
S.F. Amps	3.4/1.7			Temp. Rise @ S.F. Load	60°C
				Locked-rotor Power Factor	64
				Rotor inertia	0.0443 LB-FT ²

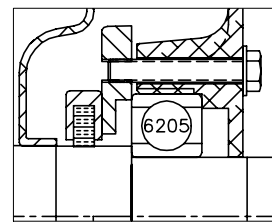
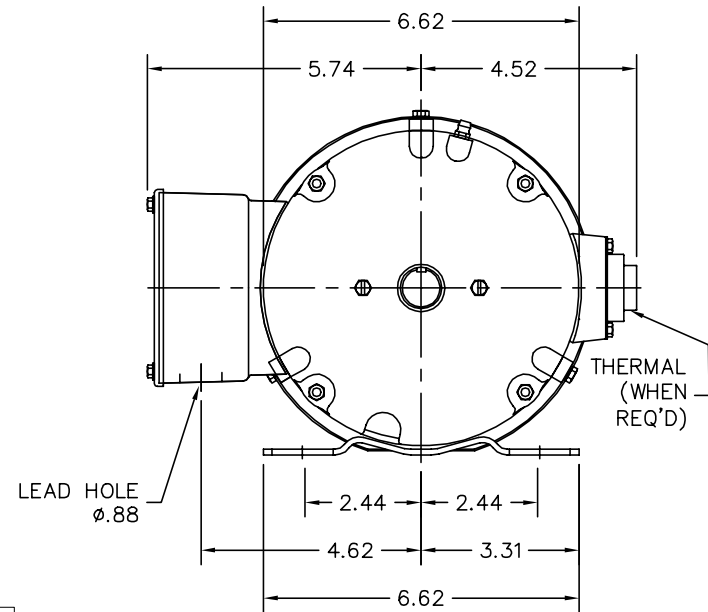
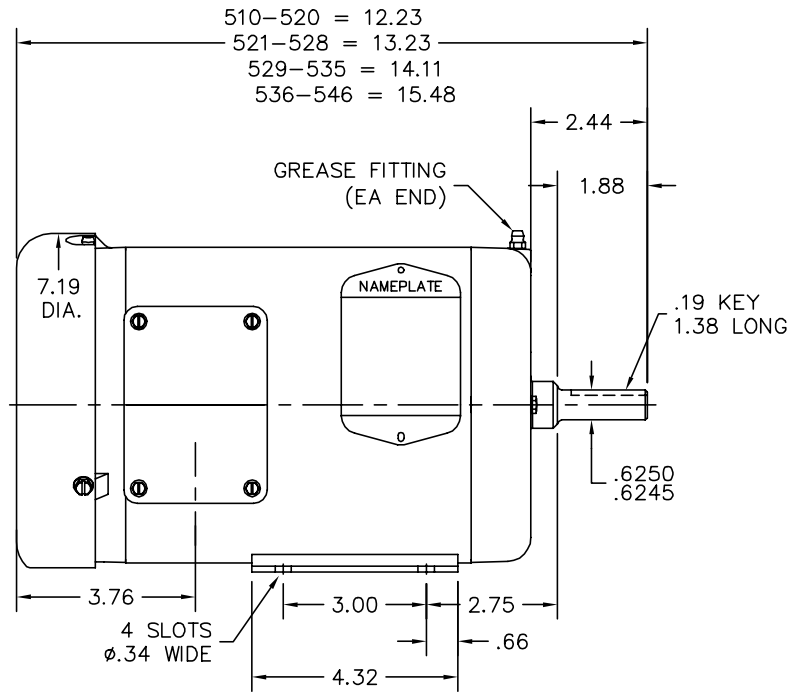
Load Characteristics 460 V, 60 Hz, 1 HP

% of Rated Load	25	50	75	100	125	150	S.F.
Power Factor	57	74	82	85	87	87	87
Efficiency	53.9	67.9	73.4	75.1	75.6	74.5	75.6
Speed	3549	3513	3473	3431	3383	3329	3383
Line amperes	0.769	0.939	1.17	1.43	1.72	2.06	1.72

Performance Graph at 460V, 60Hz, 1.0HP Typical performance - Not guaranteed values



35LYZ951



PU END DETAIL
AEGIS SHAFT GROUND

CUSTOMER IS RESPONSIBLE FOR DETERMINING THAT BALDOR'S PRODUCT WILL PERFORM SUITABLY IN THE INTENDED APPLICATION.

REV. DESC: NEW		
REV. LTR: -	VERSION: 00	TDR: 000000721308
FILE: \AAA\00187\001		REVISED: 02:31:13 11/21/2011
MTL: -		BY: ENMICW1

BALDOR

HOR 56 TEFC M W/.88 LEAD HL, AEGIS INT SH GND, "W" BASE

SH 1 of 1

35LYZ951

CD0005



LOW VOLTAGE
(2Y)



LINE

HIGH VOLTAGE
(1Y)



LINE

NOTES:

1. INTERCHANGE ANY TWO LINE LEADS TO REVERSE ROTATION.
2. OPTIONAL THERMOSTATS ARE PROVIDED WHEN SPECIFIED.
3. ACTUAL NUMBER OF INTERNAL PARALLEL CIRCUITS MAY BE A MULTIPLE OF THOSE SHOWN ABOVE.
4. LEAD COLORS ARE OPTIONAL. LEADS MUST ALWAYS BE NUMBERED AS SHOWN.

REV. DESC: REVISE TO SHOW OPTIONAL COLORS			
REV. LTR: E	BY: JLP	REVISED: 01/19/99 10:15	TDR: 0171435
9000D		FILE: AAA00005140	MDL: -
		MTL: -	

BALDOR ELECTRIC Co.

3PH, DV, 9 LEADS

CD0005