

BALDOR® • **RELIANCE**

Product Information Packet

EM3667T

1.5HP, 1170RPM, 3PH, 60HZ, 182T, 0630M, TEFC, F

Part Detail							
Revision:	F	Status:	PRD/A	Change #:		Proprietary:	No
Type:	AC	Prod. Type:	0630M	Elec. Spec:	06WGW969	CD Diagram:	CD0005
Enclosure:	TEFC	Mfg Plant:		Mech. Spec:	06C101	Layout:	06LYC101
Frame:	182T	Mounting:	F1	Poles:	06	Created Date:	12-02-2010
Base:	RG	Rotation:	R	Insulation:	F	Eff. Date:	10-16-2015
Leads:	9#16					Replaced By:	
Literature:		Elec. Diagram:					

Nameplate NP3441LUA										
CAT.NO.	EM3667T									
SPEC.	06C101W969G2									
HP	1.5									
VOLTS	230/460									
AMP	5/2.5									
RPM	1170									
FRAME	182T				HZ	60			PH	3
SER.F.	1.15		CODE	K	DES	B		CL	F	
NEMA-NOM-EFF	87.5		PF	65						
RATING	40C AMB-CONT									
CC	010A				USABLE AT 208V					
DE	6206				ODE	6205				
ENCL	TEFC		SN							
VPWM INVERTER READY										
CT6-60H(10:1)VT3-60H(20:1										
50Hz 1.5HP 190/380V 5.8/2.9A									SF1.0	

Parts List		
Part Number	Description	Quantity
SA213050	SA 06C101W969G2	1.000 EA
RA200276	RA 06C101W969G2	1.000 EA
36FN3000C01	EXFN, PLASTIC, 5.25 OD, .912 ID	1.000 EA
HW3201A05	3/8-16 EYEBOLT	1.000 EA
06CB3000	BALDOR CONDUIT BOX CAST	1.000 EA
06GS1000	GASKET,CONDUIT BOX	1.000 EA
51XW2520A12	SCREW, HEX SER SLT HD, ZN, 1/4-20 X .75	2.000 EA
11XW1032G06	10-32 X .38, TAPTITE II, HEX WSHR SLTD U	1.000 EA
HW3001B01	BRASS CUP WASHER, FOR #8 SCREW	1.000 EA
36FE1101B47	FREP ASSEMBLY FOR ROUTING PURPOSES	1.000 EA
HW4500A01	1641B(ALEMITE)400 UNIV, GREASE FITT	1.000 EA
HW5100A05	WVY WSHR F/205 & 304 BRGS	1.000 EA
36PE1100A01	PUEP ASSEMBLY FOR ROUTING PURPOSES	1.000 EA
HW4500A01	1641B(ALEMITE)400 UNIV, GREASE FITT	1.000 EA
HA3101A34	THRUBOLT- 1/4-20 X 10.375	4.000 EA
XY2520A12	1/4-20 HEX NUT, DIRECTIONAL SERRATIONS	4.000 EA
51XB1214A16	12-14X1.00 HXWSSLD SERTYB	1.000 EA
36FH4009A03SP	IEC FH , W/ PRIMER	1.000 EA
51XW1032A06	10-32 X .38, TAPTITE II, HEX WSHR SLTD S	3.000 EA
06CB3500	BALDOR CONDUIT BOX LID	1.000 EA
06GS1001	BALDOR CONDUIT BOX GASKET	1.000 EA
51XW2520A12	.25-20 X .75, TAPTITE II, HEX WSHR SLTD	2.000 EA
HW2501E16	3KEY, 1/4 SQ X 1.750	1.000 EA
HA7000A02	KEY RETAINER RING, 1 1/8 DIA, 1 3/8 DIA	1.000 EA

Parts List (continued)		
Part Number	Description	Quantity
85XU0407S04	4X1/4 U DRIVE PIN STAINLESS	2.000 EA
LB1115N	LABEL,LIFTING DEVICE (ON ROLLS)	1.000 EA
MJ1000A02	GREASE, POLYREX EM EXXON (USe 4824-15A)	0.050 LB
MG1000Y03	MUNSELL 2.53Y 6.70/ 4.60, GLOSS 20,	0.026 GA
LC0005E01	CONN.DIA./WARNING LABEL (LC0005/LB1119N)	1.000 EA
NP3441LUA	ALUM SUPER-E VPWM INV READY UL	1.000 EA
36PA1001	PKG GRP, PRINT PK1017A06	1.000 EA
MN416A01	TAG-INSTAL-MAINT no wire (1000/bx) 11/14	1.000 EA

Accessories		
Part Number	Description	Multiplier
36-1749	C FACE KIT	A8

AC Induction Motor Performance Data

Record # 31767 - Typical performance - not guaranteed values

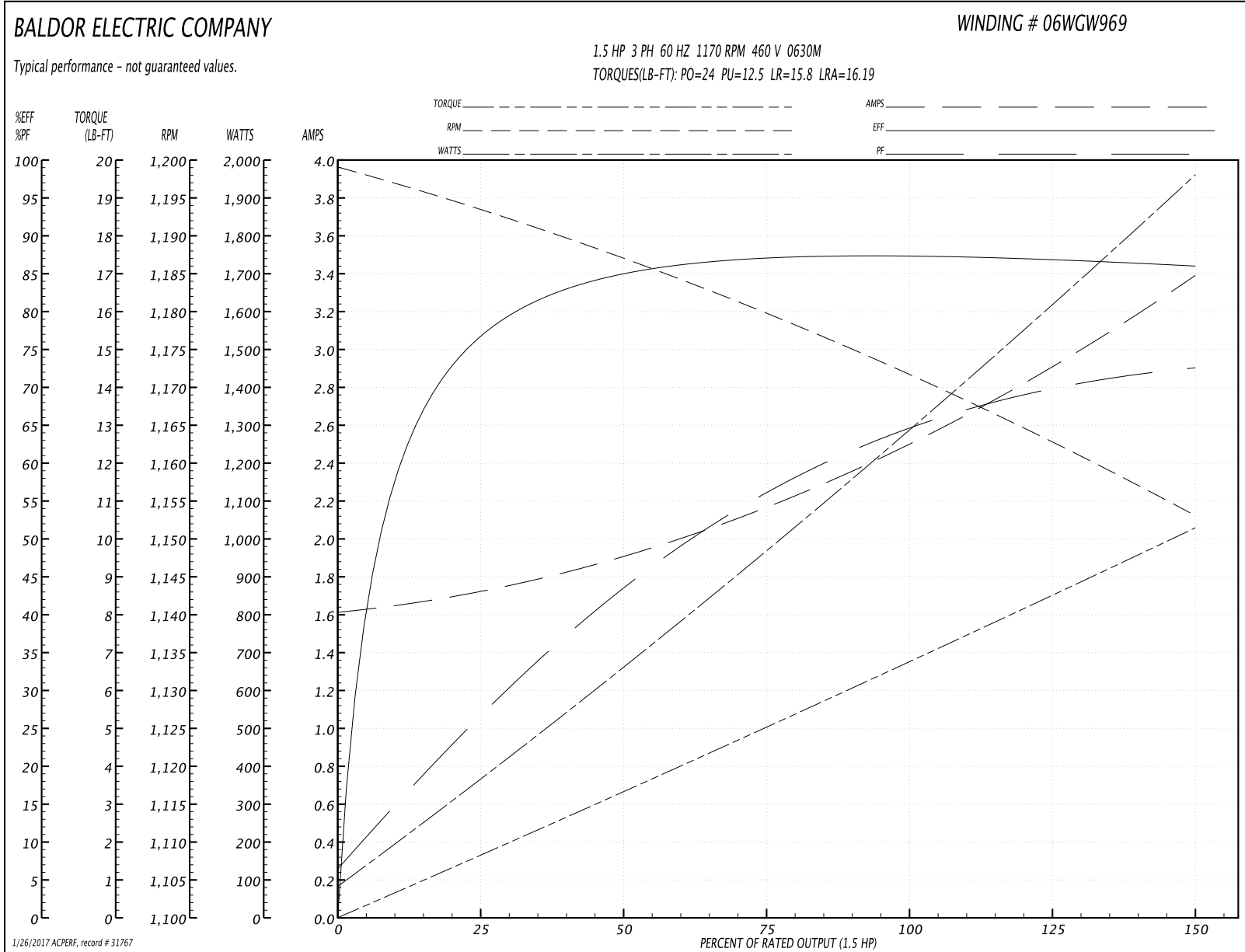
Winding: 06WGW969-R001	Type: 0630M	Enclosure: TEFC
-------------------------------	--------------------	------------------------

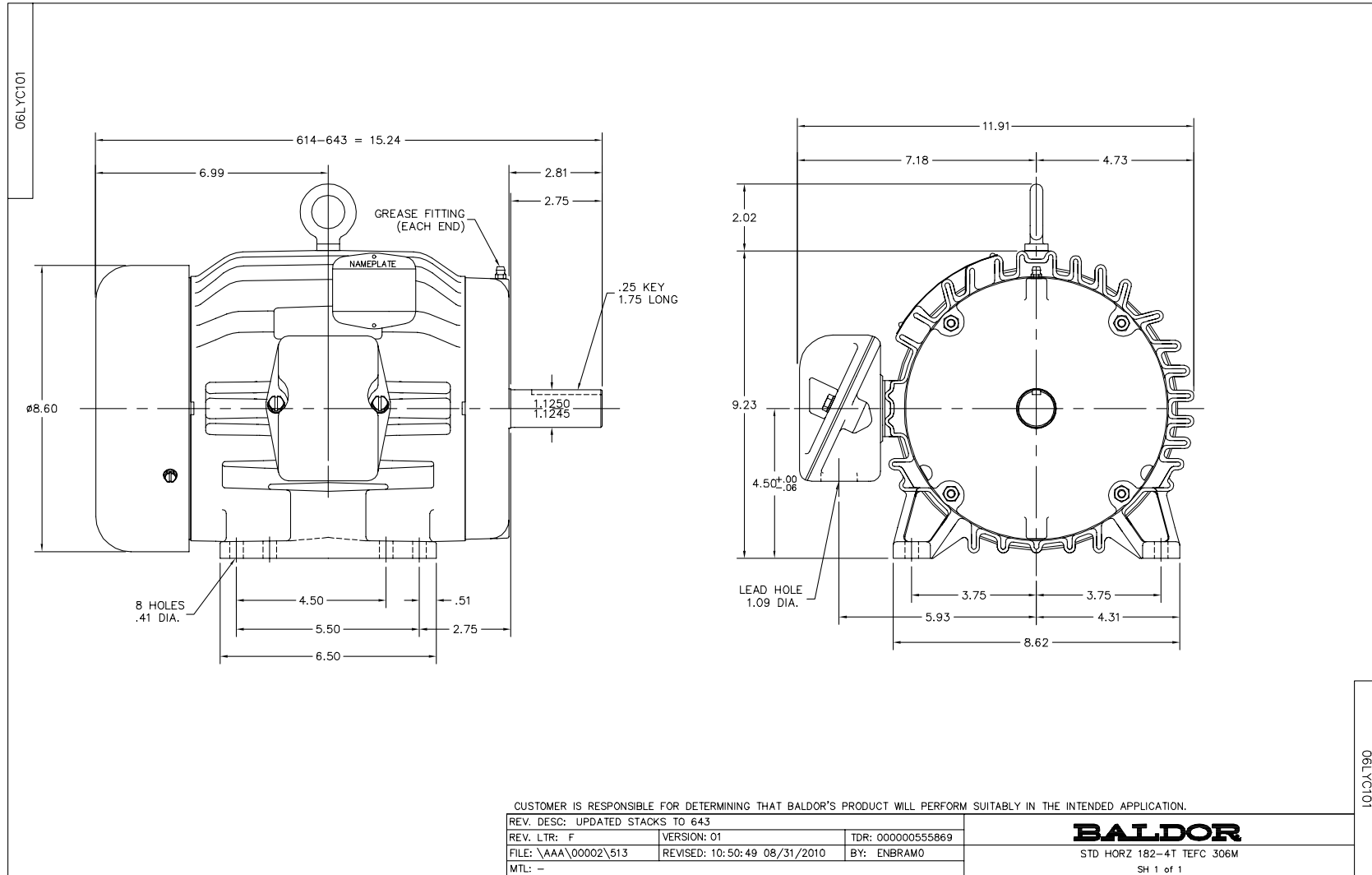
Nameplate Data				460 V, 60 Hz: High Voltage Connection	
Rated Output (HP)	1.5			Full Load Torque	6.77 LB-FT
Volts	230/460			Start Configuration	direct on line
Full Load Amps	5.0/2.5			Breakdown Torque	24 LB-FT
R.P.M.	1170			Pull-up Torque	12.5 LB-FT
Hz	60	Phase	3	Locked-rotor Torque	15.8 LB-FT
NEMA Design Code	B	KVA Code	K	Starting Current	16.19 A
Service Factor (S.F.)	1.15			No-load Current	1.63 A
NEMA Nom. Eff.	87.5	Power Factor	65	Line-line Res. @ 25°C	7.34 Ω
Rating - Duty	40C AMB-CONT			Temp. Rise @ Rated Load	26°C
S.F. Amps				Temp. Rise @ S.F. Load	32°C

Load Characteristics 460 V, 60 Hz, 1.5 HP

% of Rated Load	25	50	75	100	125	150	S.F.
Power Factor	27	44	56	65	69	73	67
Efficiency	76.9	85	87.1	87.6	87	86	87.2
Speed	1193.7	1186.9	1179.4	1171.7	1163.1	1152.9	1167
Line amperes	1.7	1.9	2.18	2.51	2.92	3.38	2.76

Performance Graph at 460V, 60Hz, 1.5HP Typical performance - Not guaranteed values





CD0005

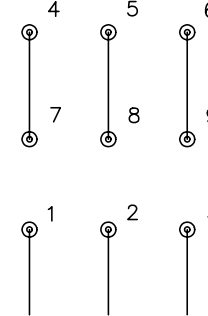


LOW VOLTAGE
(2Y)



LINE

HIGH VOLTAGE
(1Y)



LINE

NOTES:

1. INTERCHANGE ANY TWO LINE LEADS TO REVERSE ROTATION.
2. OPTIONAL THERMOSTATS ARE PROVIDED WHEN SPECIFIED.
3. ACTUAL NUMBER OF INTERNAL PARALLEL CIRCUITS MAY BE A MULTIPLE OF THOSE SHOWN ABOVE.
4. LEAD COLORS ARE OPTIONAL. LEADS MUST ALWAYS BE NUMBERED AS SHOWN.

REV. DESC: REVISE TO SHOW OPTIONAL COLORS			
REV. LTR: E	BY: JLP	REVISED: 01/19/99 10:15	TDR: 0171435
90000		FILE: AAA00005140	MDL: -
		MTL: -	

BALDOR ELECTRIC Co.

3PH, DV, 9 LEADS

CD0005