

# **BALDOR**® • *RELIANCE*

## **Product Information Packet**

# **EM4103T-5**

**25HP,1765RPM,3PH,60HZ,284T,1052M,TEFC,F1**

Part Detail							
Revision:	M	Status:	PRD/A	Change #:		Proprietary:	No
Type:	AC	Prod. Type:	1052M	Elec. Spec:	10WGZ187	CD Diagram:	CD0006
Enclosure:	TEFC	Mfg Plant:		Mech. Spec:	10C151	Layout:	10LYC151
Frame:	284T	Mounting:	F1	Poles:	04	Created Date:	06-26-2013
Base:	RG	Rotation:	R	Insulation:	F	Eff. Date:	01-05-2017
Leads:	3#10					Replaced By:	
Literature:		Elec. Diagram:					

<b>Nameplate NP3443L</b>															
CAT.NO.	EM4103T-5			P/N				ENCLOSURE	TEFC						
SPEC.	10C151Z187G1		CC	010A		FRAME	284T		S/N						
HP	25			CLASS	F		HZ	60							
RPM	1770			PH	3		DES	B							
VOLT	575			KVA-CODE	G		ODE BRG	6309		DE BRG	6311				
AMP	24			USABLE AT 208V											
RATING	40C AMB-CONT			NEMA-NOM-EFF				93.6		GREASE			POLYREX EM		
PF	84		SER.F.	1.15		VPWM INVERTER READY									
HTR-VOLTS			HTR-AMPS			MAX. SPACE HEATER TEMP.									

Parts List		
Part Number	Description	Quantity
SA265430	SA 10C151Z187G1	1.000 EA
RA252134	RA 10C151Z187G1	1.000 EA
09FN3001D02	EXTERNAL FAN, PLASTIC	1.000 EA
S/P107-000-004	SUPER-E(284 FR. & UP)-CL PLANT,POLYREX E	1.000 EA
10CB3000SP	STD KO BOX MODEL 310,312,314 MTRS W/2.00	1.000 EA
12GS1000SP	GASKET	1.000 EA
10XN3118K12	5/16-18 X .75 GRADE 5, ZINC PLATED	4.000 EA
HW1001A31	LOCKWASHER 5/16, ZINC PLT.591 OD, .319 I	4.000 EA
WD1000B16	T&B CX70TN TERMINAL	1.000 EA
51XF2520A08	SCREW, HEX SER SLT HD, ZN 1/4-20 X .50 L	1.000 EA
10EP1106A01	FR ENDPLATE, MACH	1.000 EA
10XN3816K32	BOLT, 3/8-16X2 HH YZ(5)	4.000 EA
HA4017A01	1/8 X 4 GREASE EXT (F/S)	1.000 EA
HW1001A38	LOCKWASHER 3/8, ZINC PLT .688 OD, .382 I	4.000 EA
HW5100A11	W3917-042 WVY WSHR (WB)	1.000 EA
10XN2520K32	1/4-20 X 2.00 HX HD SCRW GRADE 5, ZINC P	2.000 EA
HW1001A25	LOCKWASHER 1/4, ZINC PLT .493 OD, .255 I	2.000 EA
10XN3118K40	5/16-18 X 2.50" HEX HD, GRADE 5	4.000 EA
HW1001A31	LOCKWASHER 5/16, ZINC PLT.591 OD, .319 I	4.000 EA
10EP1105A01	PU ENDPLATE, MACH	1.000 EA
10XN3816K28	3/8-16 X 1.75 HEX HD CAP SCREW, GRADE 5	4.000 EA
HW1001A38	LOCKWASHER 3/8, ZINC PLT .688 OD, .382 I	4.000 EA
10FH4000	310 FAN HOUSING STAMPED	1.000 EA
51XF2520A08	SCREW, HEX SER SLT HD, ZN 1/4-20 X .50 L	4.000 EA

Parts List (continued)		
Part Number	Description	Quantity
10CB3500SP	CONDUIT BOX LID, CAST	1.000 EA
10GS1000SP	GASKET, CONDUIT BOX LID	1.000 EA
51XW2520A12	.25-20 X .75, TAPTITE II, HEX WSHR SLTD	4.000 EA
HW4600B40	V-RING SLINGER 2.000 X 2.680 X .28 VITON	1.000 EA
HW2501H28	KEY, 1/2 SQ X 3.250	1.000 EA
MN416A01	TAG-INSTAL-MAINT no wire (1000/bx) 11/14	1.000 EA
LB1115N	LABEL,LIFTING DEVICE (ON ROLLS)	1.000 EA
HA4051A00	PLASTIC CAP FOR GREASE FITTING	1.000 EA
HW4500A21	1618BALEMITE FITTING 825 UNIVERSAL	1.000 EA
HW4500A17	317400 ALEMITE GREASE RELIEF	1.000 EA
HA4054	SHORT T-DRAIN FITTING, .125" N.P.T.	1.000 EA
MJ1000A02	GREASE, POLYREX EM EXXON (USe 4824-15A)	0.130 LB
HA4051A00	PLASTIC CAP FOR GREASE FITTING	1.000 EA
HW4500A03	GREASE FITTING, .125 NPT 1610(ALEMITE) 8	1.000 EA
HW4500A17	317400 ALEMITE GREASE RELIEF	1.000 EA
HA4054	SHORT T-DRAIN FITTING, .125" N.P.T.	1.000 EA
HW2500A25	WOODRUFF KEY USA #1008 #BLOW CARBON STEE	1.000 EA
51XB1214A20	12-14X1.25 HXWSSLD SERTYB	1.000 EA
MG1000Y03	MUNSELL 2.53Y 6.70/ 4.60, GLOSS 20,	0.125 GA
85XU0407S04	4X1/4 U DRIVE PIN STAINLESS	4.000 EA
LB1119N	WARNING LABEL	1.000 EA
LC0006	CONNECTION LABEL	1.000 EA
NP3443L	SS SUPER-E UL CSA-EEV PREM CC	1.000 EA
10PA1000	PACKAGING GROUP COMBINED PRINT PK1023A06	1.000 EA

**AC Induction Motor Performance Data**

Record # 42631 - Typical performance - not guaranteed values

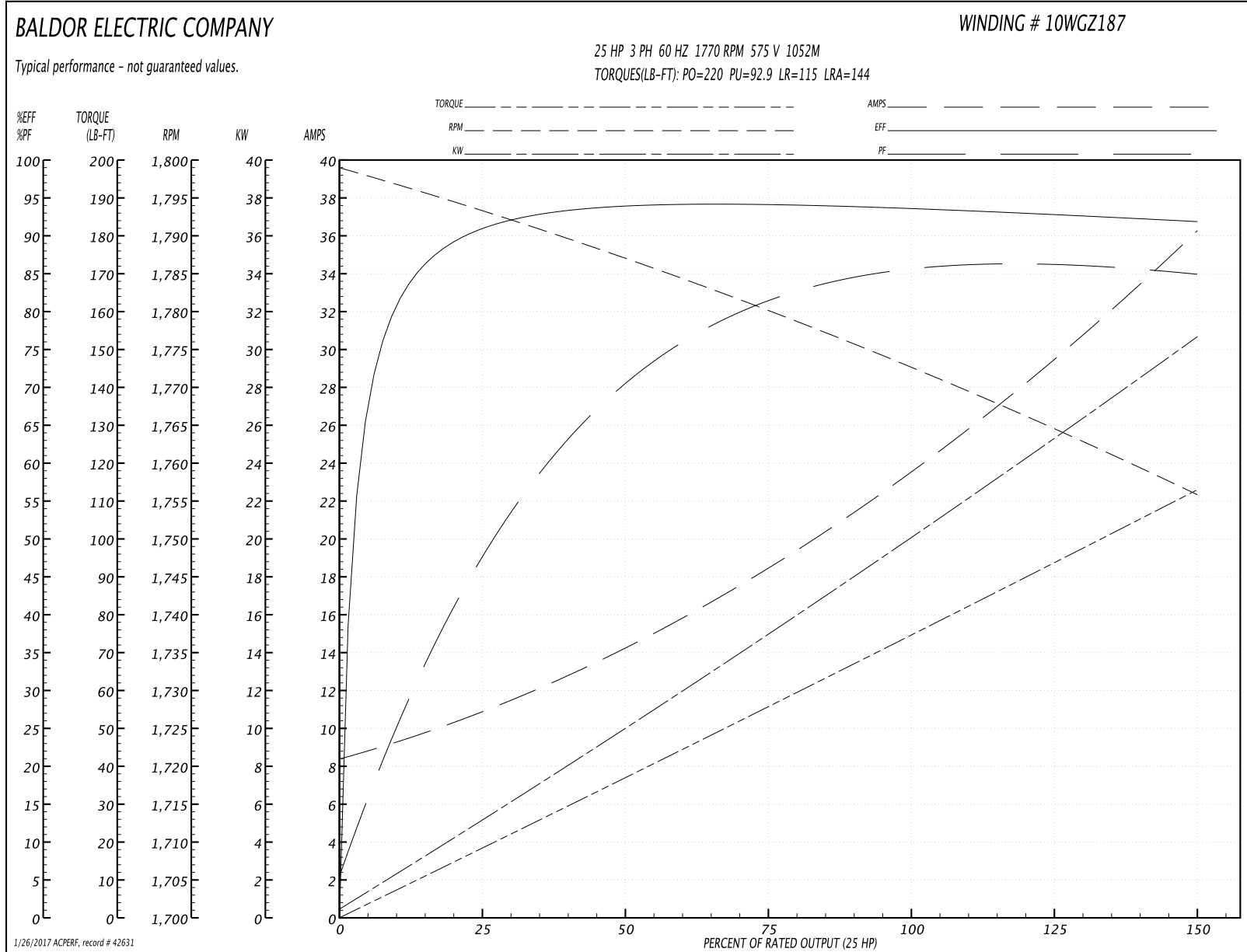
<b>Winding:</b> 10WGZ187-R001	<b>Type:</b> 1052M	<b>Enclosure:</b> TEFC
-------------------------------	--------------------	------------------------

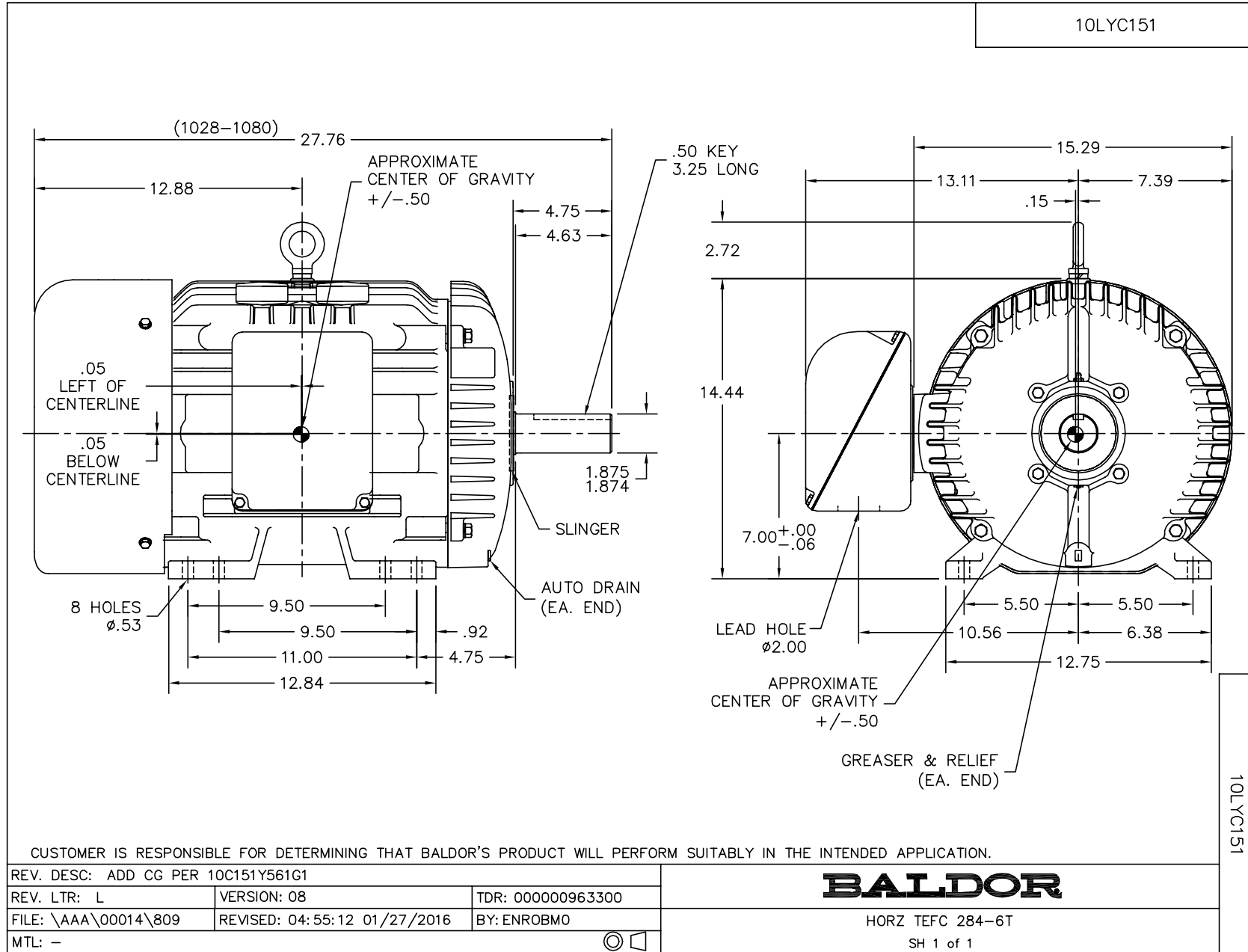
Nameplate Data				575 V, 60 Hz: Single Voltage Motor	
Rated Output (HP)	25			Full Load Torque	74.5 LB-FT
Volts	575			Start Configuration	direct on line
Full Load Amps	24			Breakdown Torque	220 LB-FT
R.P.M.	1770			Pull-up Torque	92.9 LB-FT
Hz	60	Phase	3	Locked-rotor Torque	115 LB-FT
NEMA Design Code	B	KVA Code	G	Starting Current	144 A
Service Factor (S.F.)	1.15			No-load Current	8.75 A
NEMA Nom. Eff.	93.6	Power Factor	84	Line-line Res. @ 25°C	0.464 Ω
Rating - Duty	40C AMB-CONT			Temp. Rise @ Rated Load	52°C
S.F. Amps				Temp. Rise @ S.F. Load	64°C
				Locked-rotor Power Factor	31.6
				Rotor inertia	4.13 LB-FT <sup>2</sup>

Load Characteristics 575 V, 60 Hz, 25 HP

% of Rated Load	25	50	75	100	125	150	S.F.
Power Factor	52	72	81	84	86	85	85
Efficiency	90.9	93.7	94.1	93.8	92.9	91.8	93.4
Speed	1793	1787	1780	1773	1764	1756	1764
Line amperes	10.5	14	18.8	23.8	29.6	36.1	26.9

Performance Graph at 575V, 60Hz, 25.0HP Typical performance - Not guaranteed values





CD0006



NOTES:

1. THREE LEAD MOTOR MAY BE EITHER WYE CONNECTED OR DELTA CONNECTED.
2. INTERCHANGE ANY TWO LINE LEADS TO REVERSE ROTATION.
3. OPTIONAL THERMOSTATS ARE PROVIDED WHEN SPECIFIED.
4. ACTUAL NUMBER OF INTERNAL PARALLEL CIRCUITS MAY VARY.
5. LEAD COLORS ARE OPTIONAL. LEADS MUST BE NUMBERED AS SHOWN.

REV. DESC: REVISE TO SHOW OPTIONAL COLORS			
REV. LTR: D	BY: JLP	REVISED: 01/21/99 4:02	TDR: 0171435
9000D		FILE: AAA00005141	MDL: -
		MTL: -	

**BALDOR ELECTRIC Co.**

3PH, SV, 3 LEADS, WYE OR DELTA CONNECTED

CD0006