

BALDOR® • **RELIANCE**

Product Information Packet

EM44402T-4

400HP,3565RPM,3PH,60HZ,449TS,TEFC,F1

Part Detail							
Revision:	A	Status:	PRD/A	Change #:		Proprietary:	No
Type:	AC	Prod. Type:	A44160M	Elec. Spec:	A44WG4244	CD Diagram:	416820-008
Enclosure:	TEFC	Mfg Plant:		Mech. Spec:		Layout:	617427-445
Frame:	449TS	Mounting:	F1	Poles:	02	Created Date:	04-14-2015
Base:		Rotation:	R	Insulation:	F	Eff. Date:	06-03-2016
Leads:	6#1 (02 per group)					Replaced By:	
Literature:		Elec. Diagram:					

Nameplate NP2496L	
MOBIL POLYREX EM	

Nameplate NP2349L									
SPEC NO.	A44-7128-4244	CAT.NO.	EM44402T-4	FRAME	449TS				
HP	400	VOLTS	460	PHASE	3	DESIGN	B	TYPE	P
RPM	3565	AMPS	424	HZ	60	AMB	40	SF	1.15
DRIVE END BEARING	65BC03J30X	DUTY	CONT	INSUL.CLASS	F				
OPP D.E. BEARING	65BC03J30X	ENCL	TEFC	CODE	F				
SER.NO.		POWER FACTOR	92	NEMA-NOM-EFFICIENCY	95.8				
				MAX CORR KVAR	59.5	GUARANTEED EFFICIENCY	95		
				NEMA NOM/CSA QUOTED EFF					
				MOTOR WEIGHT	3149				

Parts List		
Part Number	Description	Quantity
SA298954	SA A44-7128-4244	1.000 EA
RA285933	RA A44-7128-4244	1.000 EA
421948044	LABEL, MYLAR	1.000 EA
NP2496L	MOTOR LUBE NAMEPLATE	1.000 EA
000613006PU	N/P (RELEASE QTY 10,000) UL CSA LABEL	1.000 EA
000692000FF	N/P	1.000 EA
000692000VD	LABEL WARNING	1.000 EA
NP2349L	SUPER-E ,SS, CSA, CSA SUPER-E	1.000 EA
089490097A	BRKT 089490102WCA	1.000 EA
415072001B	CLAMP	1.000 EA
083199126RA	G28 MOLDED FAN COVER W/BAFFLE ASSEMBLY	1.000 EA
034180014DA	KEY 1/4X1/4X1-3/4 L	1.000 EA
078548001R	FAN KB 234/150 (84) 400	1.000 EA
004824015A	GREASE POLYREX EM	0.540 LB
032018020FK	HHCS 3/4-10X2-1/2 PLTD.	4.000 EA
032018008CK	HHCS 3/8-16X1L PLATED	4.000 EA
032018022CK	HHCS 3/8-16X2-3/4 PLTD	3.000 EA
415096002A	CPLG 1/8 HEX TYPE	1.000 EA
410700004F	WSHR	1.000 EA
034017014AB	LCKW 3/8 STD. PLATED	4.000 EA
034530072AB	P/NIP 1/8X9"L Threaded both ends	1.000 EA
034690005AB	PPLG 3/4 PLATED	1.000 EA
034630002AB	CPLG 1/4" PLATED	1.000 EA
034690002AB	"unbulked" PPLG 1/4" PLTD.	1.000 EA

Parts List (continued)		
Part Number	Description	Quantity
034690001AB	SQHDPLG, COND	1.000 EA
034530072BB	PIPE NIPPLE,DE - 440-BS	1.000 EA
032620016LA	SOCKET SET SCREW-449	3.000 EA
034630002AB	CPLG 1/4" PLATED	1.000 EA
034530072BB	PIPE NIPPLE,DE - 440-BS	1.000 EA
034690002AB	"unbulked" PPLG 1/4" PLTD.	1.000 EA
034690001AB	SQHDPLG, COND	1.000 EA
702623012A	THERMAL BARRIER, G28	1.000 EA
032018004BK	HHCS 5/16-18X1/2 PLATED	3.000 EA
034000013AB	WSHR 5/16" PLATED-440	3.000 EA
089490097A	BRKT 089490102WCA	1.000 EA
032018020FK	HHCS 3/4-10X2-1/2 PLTD.	4.000 EA
032018022CK	HHCS 3/8-16X2-3/4 PLTD	3.000 EA
034530072AB	P/NIP 1/8X9"L Threaded both ends	1.000 EA
415096002A	CPLG 1/8 HEX TYPE	1.000 EA
032018006BK	HHCS 5/16-18X3/4 PLATED	3.000 EA
034017013AB	LCKW 5/16 STD. PLATED	3.000 EA
702623022A	G28 AIR DEFLECTOR DRIVE END -- PLASTIC	1.000 EA
034001013AB	FTW BAFFLE	3.000 EA
415915007K	GASK, 26" LAC	1.000 EA
406056008A	GASKET, TERBD 440	1.000 EA
418150003A	GREASE FITTING CAP	1.000 EA
032018008DK	HHCS 1/2-13X1 PLATED	4.000 EA
702616012T	CONDUIT BOX	1.000 EA

Product Information Packet: EM44402T-4 - 400HP,3565RPM,3PH,60HZ,449TS,TEFC,F1

035000001A	ALFTG 1/8" 1610-BL	1.000 EA
406099000A	PLUG - FAN COVER 320-440	1.000 EA
035000001A	ALFTG 1/8" 1610-BL	1.000 EA
418150003A	GREASE FITTING CAP	1.000 EA
MG1025Y03	WILKOFAST, 789.701, SUPER E PEARL GOLD	2.000 QT
033775004EA	DRSCR #6-1/4 304 S.S.	2.000 EA
034180024HA	KEY 5/8X5/8X3 L	1.000 EA
604797056	400-447 FRAME 60 X 42	1.000 EA
032510026D	CARRIAGE BOLT - 440	2.000 EA
034001014AB	FLAT WASHER 3/8"PLATED	2.000 EA
034001016AB	WSHR .562ID 1.375OD .109	2.000 EA
033300014AC	HEX NUT, SHIPPING - 400	2.000 EA
604797003C	SHIPPING BAG	1.000 EA

REL. S.O.	FRAME	HP	TYPE	PHASE/HERTZ	RPM	VOLTS
	449TS	400	P	3/60	3565	460
AMPS	DUTY	AMB °C/INSUL.	S.F.	NEMA DESIGN	CODE LETTER	ENCL.
424	CONT	40/F	1.15	B	F	TEFC
E/S	ROTOR	TEST S.O.	TEST DATE	STATOR RES. @25 °C (OHMS BETWEEN LINES)		
444244	418143018AE	---	---	.00735		

PERFORMANCE

LOAD	HP	AMPERES	RPM	POWER FACTOR %	EFFICIENCY %
NO LOAD	0	83.0	3600	6.83	0
1/4	100	131	3592	76.5	93.7
2/4	200	218	3584	89.7	95.8
3/4	300	317	3576	92.3	96.0
4/4	400	424	3567	92.2	95.8
5/4	500	535	3558	91.7	95.4

SPEED TORQUE

	RPM	TORQUE % FULL LOAD	TORQUE LB.-FT.	AMPERES
LOCKED ROTOR	0	166	980	2750
PULL UP	2160	145	853	2310
BREAKDOWN	3463	247	1455	1467
FULL LOAD	3567	100	589	424

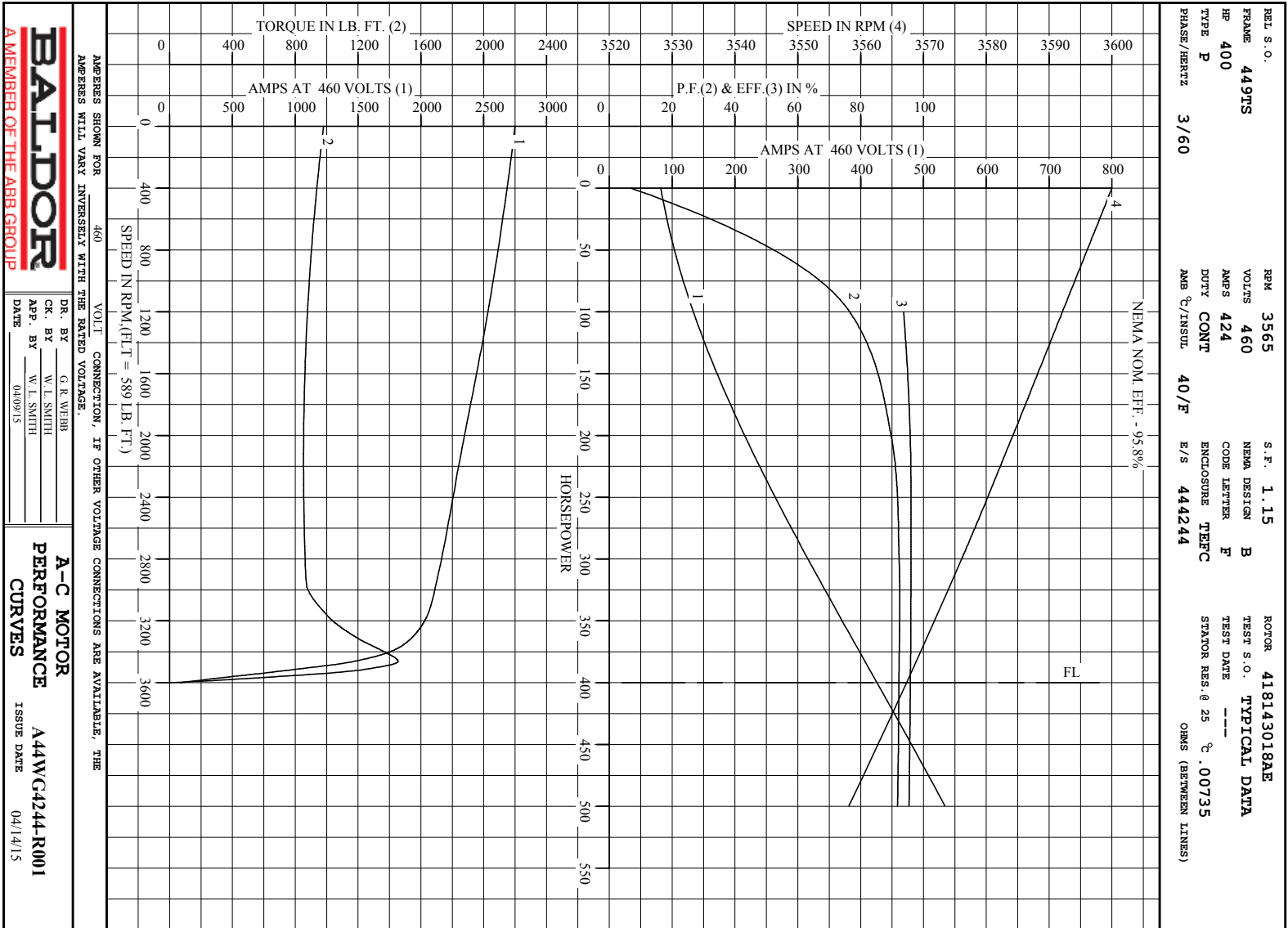
AMPERES SHOWN FOR 460. VOLT CONNECTION. IF OTHER VOLTAGE CONNECTIONS ARE AVAILABLE, THE AMPERES WILL VARY INVERSELY WITH THE RATED VOLTAGE

REMARKS: TYPICAL DATA
NEMA NOM. EFF. - 95.8%

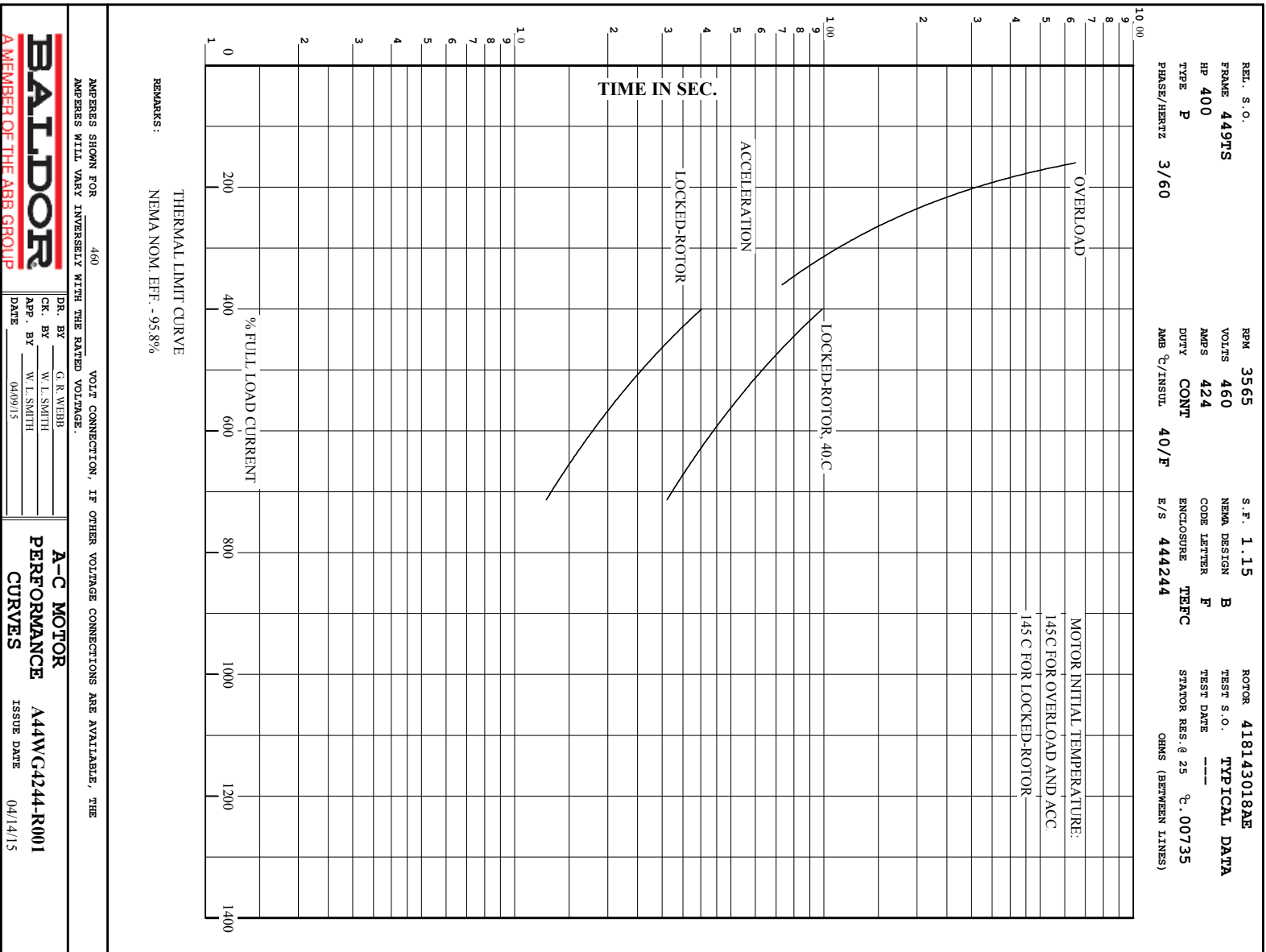


DR. BY G. R. WEBB
CR. BY W. I. SMITH
APP. BY W. I. SMITH
DATE 04/09/15

A-C MOTOR PERFORMANCE DATA
A44WG4244-R001
ISSUE DATE 04/14/15



Printed on 4/14/15 11:31 @ paces-motors



DUTY MASTER ALTERNATING CURRENT MOTORS

SQUIRREL-CAGE INDUCTION

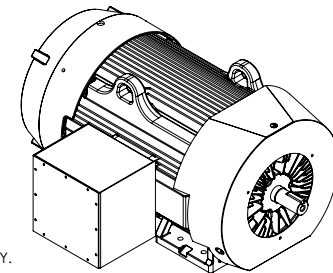
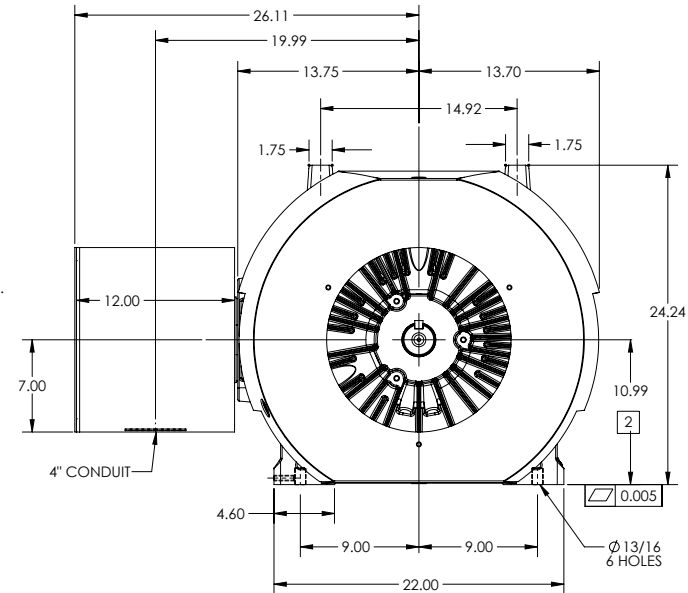
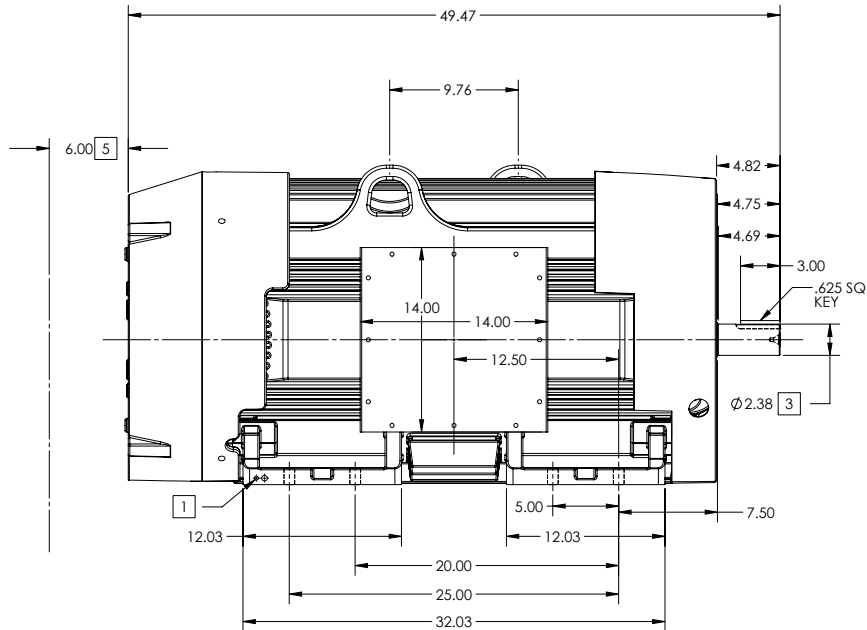
ENCLOSURE: TOTALLY ENCLOSED

FRAME 449TS ABOVE NEMA RATINGS (3600 RPM MAX)

COOLING: FAN COOLED

MOUNTING: FOOT

INCLUDES 447TS FRAME MOUNTING HOLES



4 WEIGHT (LBS): 3080

DRIVE END AIR DEFLECTOR IS ONLY INCLUDED WHEN NECESSARY.

DIMENSIONS ARE IN INCHES

CUSTOMER IS RESPONSIBLE FOR DETERMINING THAT MOTOR PERFORMANCE IS SUITABLE IN THE APPLICATION.

1. GROUND HOLES QTY 1 1/2-13 TAP; QTY 1 3/8-16 TAP
2. VARIES +.00,-.06
3. VARIES +.000,-.001
4. MOTOR WEIGHTS MAY VARY BY 15% DEPENDING ON RATING.
5. OBSTRUCTION MUST NO ENCROACH ON AIR INLET

CONDUIT BOX LOCATED ON OPPOSITE SIDE WHEN F-2.
IF MOUNTING CLEARANCE DETAILS ARE REQUIRED, CONSULT FACTORY.
MAXIMUM PERMISSIBLE SHAFT RUNOUT WHEN MEASURED AT END OF
STANDARD SHAFT EXTENSION IS .003" T.I.R. TO 5 INCH DIA.

SHEET NUMBER
1 OF 2

617427-445

REV. DESC: NEW DRAWING	VERSION: 00	REVISED: 11-13-38 04/02/2015	TDR: 00000918312
MODEL NO. 617427-445	BY: RAGEC		

BALDOR

G449TS-447TS-FOOTED-SIDE-CENTER CONDUIT BOX-14X14X12

DUTY MASTER ALTERNATING CURRENT MOTORS

SQUIRREL-CAGE INDUCTION

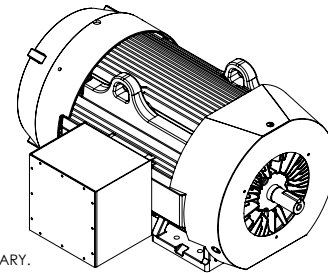
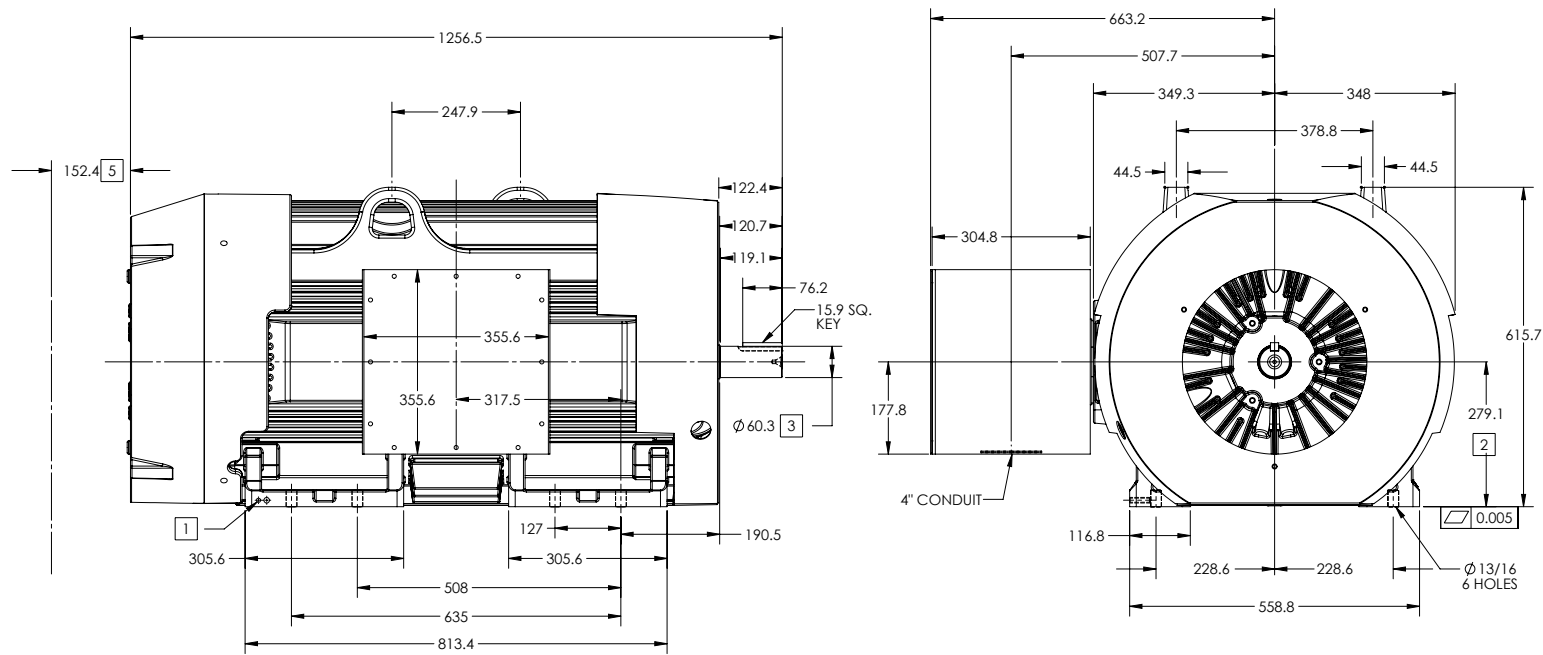
ENCLOSURE: TOTALLY ENCLOSED

FRAME 449TS ABOVE NEMA RATINGS (3600 RPM MAX)

COOLING: FAN COOLED

MOUNTING: FOOT

INCLUDES 447TS FRAME MOUNTING HOLES



5 WEIGHT (KGS): 1400

DRIVE END AIR DEFLECTOR IS ONLY INCLUDED WHEN NECESSARY.

DIMENSIONS ARE IN MILLIMETERS

CUSTOMER IS RESPONSIBLE FOR DETERMINING THAT MOTOR PERFORMANCE IS SUITABLE IN THE APPLICATION.

1. GROUND HOLES QTY 1 1/2-13 TAP; QTY 1 3/8-16 TAP
2. VARIES +0.1-1.5
3. VARIES +.00-.03
4. MOTOR WEIGHTS MAY VARY BY 15% DEPENDING ON RATING.
5. OBSTRUCTION MUST NOT ENCR OACH ON AIR INLET

CONDUIT BOX LOCATED ON OPPOSITE SIDE WHEN F-2.
IF MOUNTING CLEARANCE DETAILS ARE REQUIRED, CONSULT FACTORY.
MAXIMUM PERMISSIBLE SHAFT RUNOUT WHEN MEASURED AT END OF
STANDARD SHAFT EXTENSION IS .08 MM T.I.R. TO 127 MM DIA.

SHEET NUMBER
2 OF 2

544-27-119

REV. DESC: NEW DRAWING	VERSION: 00	REVISED: 11-13-38 04/02/2015	TDR: 00000919312
MODEL NO. 617427-445	BY: RAGEC		

BALDOR

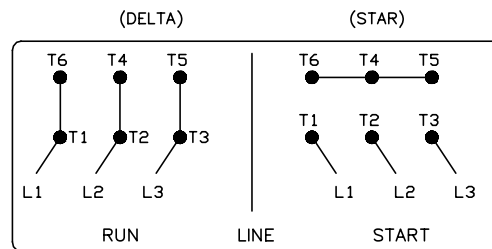
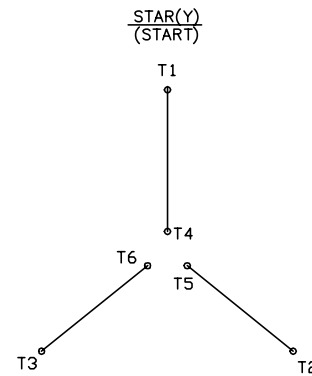
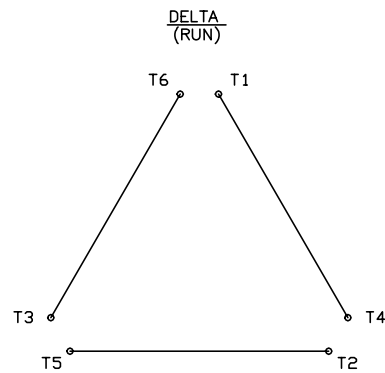
G449TS-447TS-FOOTED-SIDE-CENTER CONDUIT BOX-14X14X12

416820-008

A-C MOTOR CONNECTION DIAGRAM

STANDARD 6 LEAD

Y START - DELTA RUN



< N. P. 1767-DC >

416820-008

REV. DESC: ADDED T4 TO Y CONNECT DIAGRAM		
REV. LTR: D	VERSION: 04	TDR: 000000847713
FILE: \RAG\00001\808	REVISED: 10: 41: 26 04/08/2014	BY: RAGJSS1
MTL: -	Ⓢ □	

BALDOR

CONNECT DIAGRAM STD 6 LEAD Y START DELTA RUN

SH 1 of 1

Marketing maintained PDF of MN408:

<http://www.baldor.com/support/Literature/Load.ashx/MN408?ManNumber=MN408>

Marketing maintained PDF of MN416:

<http://www.baldor.com/support/Literature/Load.ashx/MN416?ManNumber=MN416>