

BALDOR® • **RELIANCE**

Product Information Packet

EM7036T

3//2HP,1160//960RPM,3PH,60//50HZ,213T,37

Part Detail							
Revision:	G	Status:	PRD/A	Change #:		Proprietary:	No
Type:	AC	Prod. Type:	3738M	Elec. Spec:	37WGS519	CD Diagram:	CD0005
Enclosure:	XPFC	Mfg Plant:		Mech. Spec:	37H239	Layout:	37LYH239
Frame:	213T	Mounting:	F1	Poles:	06	Created Date:	06-21-2010
Base:	RG	Rotation:	R	Insulation:	B	Eff. Date:	07-21-2016
Leads:	9#14					Replaced By:	
Literature:		Elec. Diagram:					

Nameplate NP1426XPSLEV	
NO.	<input type="text"/> CC <input type="text"/> 010A
SER.	<input type="text"/>
SPEC.	37H239S519G1
CAT.NO.	EM7036T
HP	3//2 T. CODE <input type="text"/> T3C
VOLTS	230/460//190/380
AMPS	9.2/4.6//8/4
RPM	1160//960
HZ	60//50 PH <input type="text"/> 3 CL <input type="text"/> B
SER.F.	1.00 DES <input type="text"/> B CODE <input type="text"/> L
RATING	40C AMB-CONT
FRAME	213T NEMA-NOM-EFF <input type="text"/> 89.5
USABLE AT 208V	9.6 PF <input type="text"/> 68
BLANK	<input type="text"/>

Parts List		
Part Number	Description	Quantity
SA199226	SA 37H239S519G1	1.000 EA
RA186564	RA 37H239S519G1	1.000 EA
37FN3002C01	EXFN, PLASTIC, 6.00 OD, 1.155 ID	1.000 EA
35CB3001A02SP	EXPL PROOF CONDUIT BOX, 3/4"PIPE TAP LEA	1.000 EA
11XW1032G06	10-32 X .38, TAPTITE II, HEX WSHR SLTD U	1.000 EA
HW3001B01	BRASS CUP WASHER, FOR #8 SCREW	1.000 EA
37EP1102A01	STD FR EP, XPFC	1.000 EA
HW4500A19	1/4-28X1/4 SLOTTED PLUG F/S	2.000 EA
HW5100A06	W2420-025 WVY WSHR (WB)	1.000 EA
37EP1701A02	PU ENDPLATE,TEFC, 1 FAN, W/GREASER, MACH	1.000 EA
HW4500A19	1/4-28X1/4 SLOTTED PLUG F/S	2.000 EA
XY5013A12	NUT,1/2-13,HEX,STEEL,ZINCPLATED	4.000 EA
37FH2000A01SP	STD XPROOF FAN COVER	1.000 EA
10XN2520A12	O1/4-20X 3/4 HEX HEAD CAP	4.000 EA
HW1001A25	LOCKWASHER 1/4, ZINC PLT .493 OD, .255 I	4.000 EA
35CB3500A01SP	CONDUIT BOX LID, MACH	1.000 EA
51XN2520A16	SCREW, HEX WS SLT, ZN, 1/4-20 X 1.00	4.000 EA
HW2501F21	KEY, 5/16 SQ X 2.375	1.000 EA
HA7000A02	KEY RETAINER RING, 1 1/8 DIA, 1 3/8 DIA	1.000 EA
85XU0407S04	4X1/4 U DRIVE PIN STAINLESS	6.000 EA
LB1115N	LABEL,LIFTING DEVICE (ON ROLLS)	1.000 EA
NP0018F	ALUM UL XP CONDUIT BOX NAMEPLATE	1.000 EA
MJ1000A02	GREASE, POLYREX EM EXXON (USe 4824-15A)	0.050 LB
51XB1214A20	12-14X1.25 HXWSSLD SERTYB	1.000 EA

Parts List (continued)		
Part Number	Description	Quantity
XY2520A12	1/4-20 HEX NUT, DIRECTIONAL SERRATIONS	1.000 EA
MG1025G29	WILKOFAS, 789.229, DARK CHARCOAL GRAY	0.028 GA
HA3106A04	THRUBOLT- 1/2-13 X 12.625	4.000 EA
LB1119N	WARNING LABEL	1.000 EA
LC0145B01	CONNECTION LABEL	1.000 EA
NP1426XPSLEV	SS XP UL CSA-EEV CC CL-I GP-D	1.000 EA
37PA1039	PALLET PACK GRP, PRINT PK1026A06	1.000 EA
MN416A01	TAG-INSTAL-MAINT no wire (1000/bx) 11/14	1.000 EA

AC Induction Motor Performance Data

Record # 35765 - Typical performance - not guaranteed values

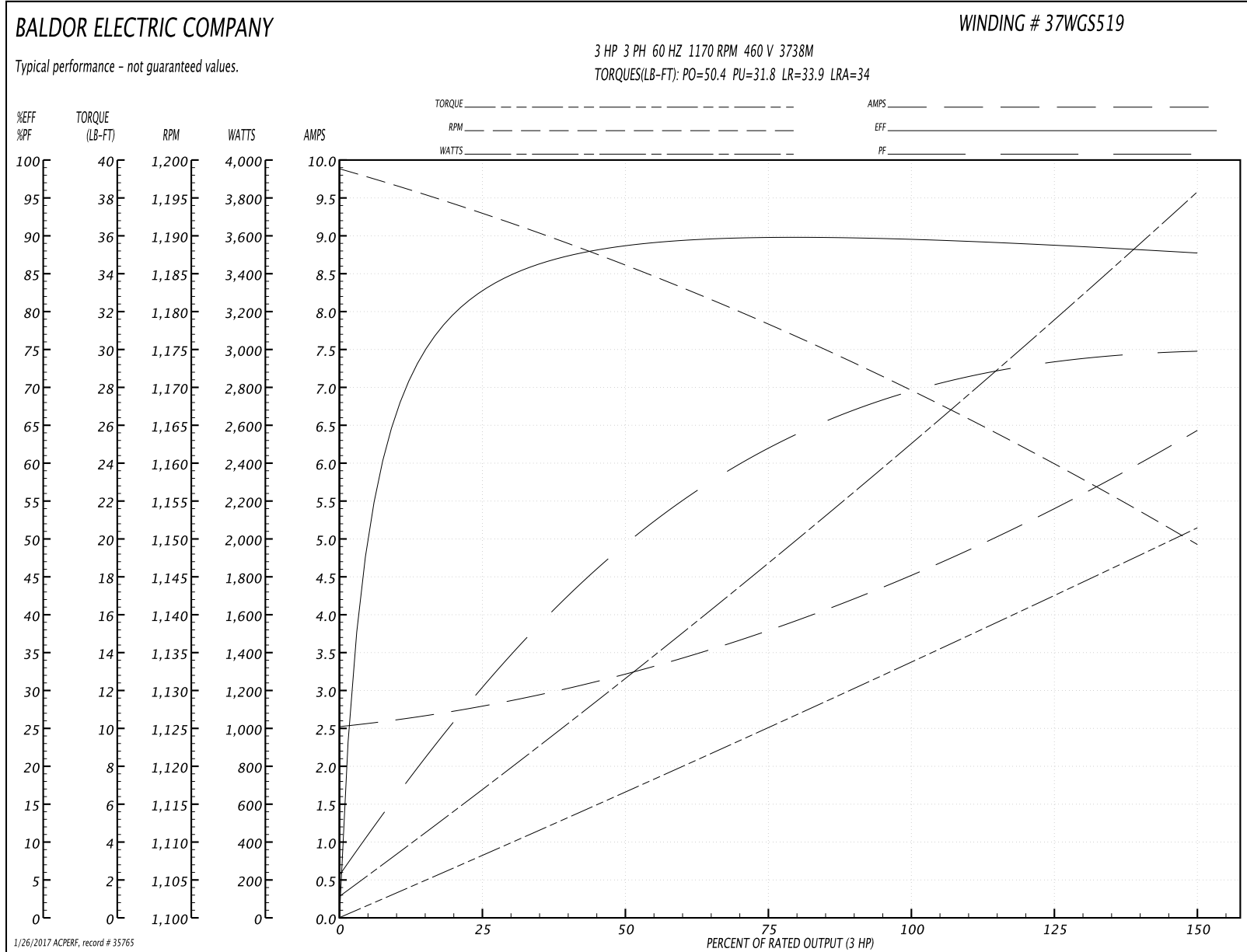
Winding: 37WGS519-R004	Type: 3738M	Enclosure: XPFC
-------------------------------	--------------------	------------------------

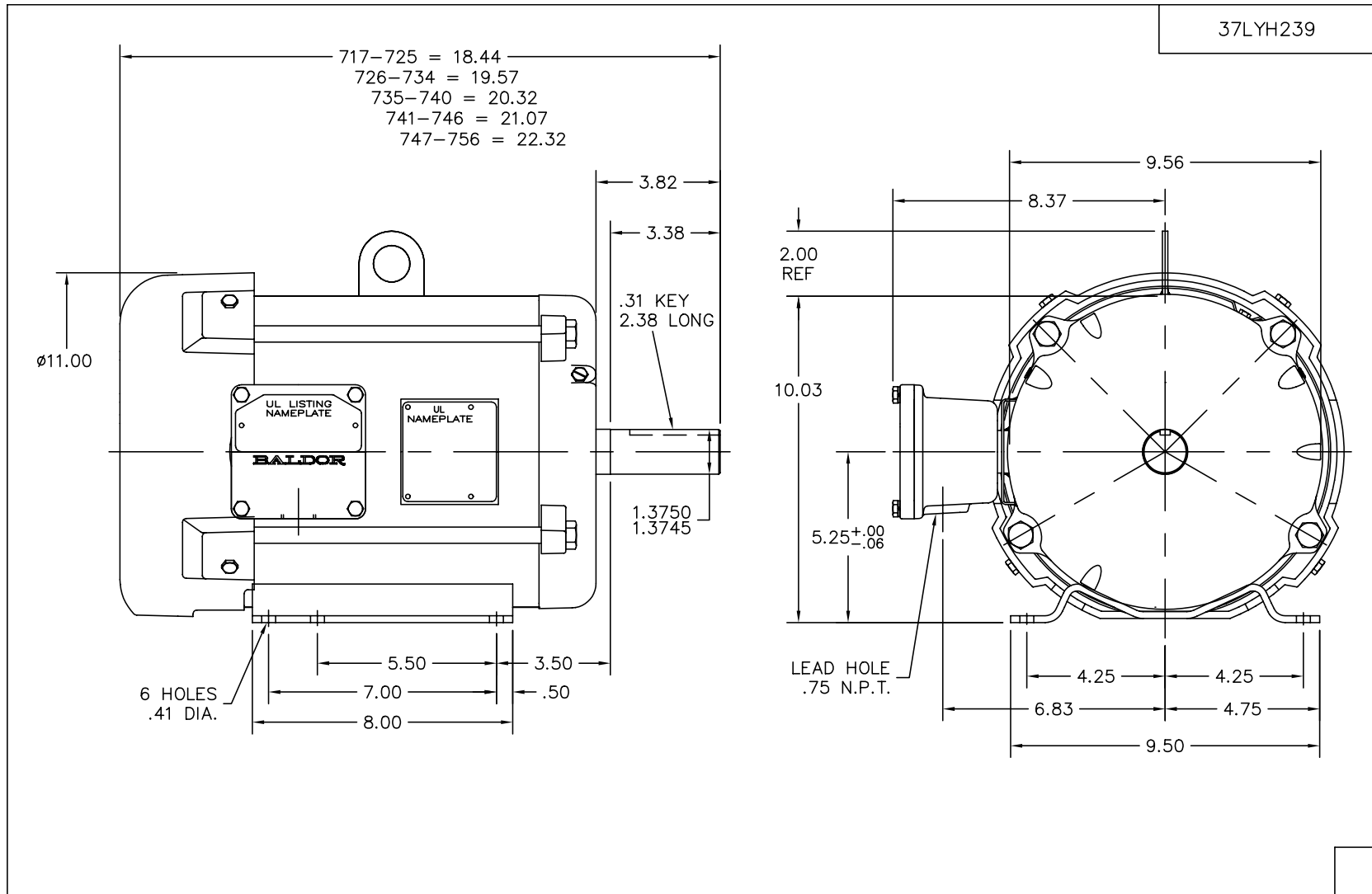
Nameplate Data				460 V, 60 Hz: High Voltage Connection	
Rated Output (HP)	3//2			Full Load Torque	13.4 LB-FT
Volts	230/460//190/380			Start Configuration	direct on line
Full Load Amps	9.2/4.6//8/4			Breakdown Torque	50.4 LB-FT
R.P.M.	1160//960			Pull-up Torque	31.8 LB-FT
Hz	60//50	Phase	3	Locked-rotor Torque	33.9 LB-FT
NEMA Design Code	B	KVA Code	L	Starting Current	34 A
Service Factor (S.F.)	1			No-load Current	2.56 A
NEMA Nom. Eff.	89.5	Power Factor	68	Line-line Res. @ 25°C	2.67 Ω
Rating - Duty	40C AMB-CONT			Temp. Rise @ Rated Load	38°C
				Locked-rotor Power Factor	22.9
				Rotor inertia	0.945 LB-FT ²

Load Characteristics 460 V, 60 Hz, 3 HP

% of Rated Load	25	50	75	100	125	150
Power Factor	30	50	62	69	73	75
Efficiency	82.1	88.6	89.5	89.8	89.1	87.6
Speed	1193	1186	1178	1170	1160	1149
Line amperes	2.74	3.19	3.82	4.53	5.44	6.41

Performance Graph at 460V, 60Hz, 3.0HP Typical performance - Not guaranteed values





37LYH239

CUST. NAME		CUST. P.O.		CERTIFIED BY		MODEL		INSUL		AMB							
H.P.		MTG		TYPE		R.P.M.		VOLTS		ENCL		PHASE		FREQ		FRAME	
REV. DESC: NEW												BALDOR ELECTRIC Co. HOR 213-5T XPFC M EPACK STACKS, DUAL CLASS					
REV. LTR: -		BY: SLK		REVISED: 09/13/99 11:47		TDR: 0189039											
6ΩZHΛ7Σ		FILE: AAA00068145		MDL: -		MTL: -											

37LYH239

CD0005

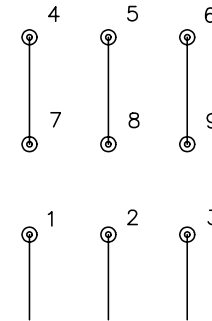


LOW VOLTAGE
(2Y)



LINE

HIGH VOLTAGE
(1Y)



LINE

NOTES:

1. INTERCHANGE ANY TWO LINE LEADS TO REVERSE ROTATION.
2. OPTIONAL THERMOSTATS ARE PROVIDED WHEN SPECIFIED.
3. ACTUAL NUMBER OF INTERNAL PARALLEL CIRCUITS MAY BE A MULTIPLE OF THOSE SHOWN ABOVE.
4. LEAD COLORS ARE OPTIONAL. LEADS MUST ALWAYS BE NUMBERED AS SHOWN.

REV. DESC: REVISE TO SHOW OPTIONAL COLORS			
REV. LTR: E	BY: JLP	REVISED: 01/19/99 10:15	TDR: 0171435
9000D		FILE: AAA00005140	MDL: -
		MTL: -	

BALDOR ELECTRIC Co.

3PH, DV, 9 LEADS

CD0005