

BALDOR® • **RELIANCE**

Product Information Packet

EM7044T-I

5//3HP,1750//1450RPM,3PH,60//50HZ,184T,3

Part Detail							
Revision:	P	Status:	PRD/A	Change #:		Proprietary:	No
Type:	AC	Prod. Type:	3643M	Elec. Spec:	36WGT031	CD Diagram:	CD0005
Enclosure:	XPFC	Mfg Plant:		Mech. Spec:	36J694	Layout:	36LYJ694
Frame:	184T	Mounting:	F1	Poles:	04	Created Date:	08-10-2010
Base:	RG	Rotation:	R	Insulation:	F	Eff. Date:	12-29-2016
Leads:	9#16					Replaced By:	
Literature:		Elec. Diagram:					

Nameplate NP0977XPSLEV										
NO.						CC	010A			
SER.							TEMP CODE	T3C		
SPEC.	36J694T031G2									
CAT.NO.	EM7044T-I									
HP	5//3									
VOLTS	230/460//190/380									
AMPS	13/6.5//10.4/5.2									
RPM	1750//1450					MOTOR WEIGHT	122			
HERTZ	60//50		PH	3		CL	F	DE BRG	6206	
SER.F.	1.15		DES	B		CODE	K	ODE BRG	6205	
FRAME	184T		GREASE	POLYREX EM						
RATING	40C AMB-CONT 55C AMB AT 1.0 SF									
USABLE AT 208V	13.6		NEMA-NOM-EFF	89.5		PF	80			
	NEMA MG-1 PT 5,IP55									

Parts List		
Part Number	Description	Quantity
SA201389	SA 36J694T031G2	1.000 EA
RA188687	RA 36J694T031G2	1.000 EA
35CB1005A01	CONDUIT BOX,MACH - GROUP "C" MTRS	1.000 EA
06EP1709A05	FRONT XPFC 205 BRG GRP C W/ DRAIN (HW450	1.000 EA
HW4500A19	1/4-28X1/4 SLOTTED PLUG F/S	2.000 EA
HW4506A02	BREATHER/DRAIN-EXP PROOF-.125-27 NPTF AI	1.000 EA
HW3022E05	.125 DIA X .500 ROLLED SPRING PIN	1.000 EA
HW5100A05	WVY WSHR F/205 & 304 BRGS	1.000 EA
36EP1718A03	36 PU EP XPFC 206 BRG W/METAL SLINGER	1.000 EA
HW4500A19	1/4-28X1/4 SLOTTED PLUG F/S	2.000 EA
HW4506A02	BREATHER/DRAIN-EXP PROOF-.125-27 NPTF AI	1.000 EA
HW3022E05	.125 DIA X .500 ROLLED SPRING PIN	1.000 EA
XY3816A12	3/8-16 FINISHED NUT	4.000 EA
36FH3003A05	FAN COVER XP W/(2) GRSR HOLES, DRAIN	1.000 EA
51XF1032A10	SCREW, HX WS HD SER, ZN	4.000 EA
35CB1501A01	CONDUIT BOX LID, MACH. - GROUP "C" MTRS	1.000 EA
RM1020A41	O-RING, -150 BUNA-N, .103 CS X 2.862 ID	1.000 EA
HA2065A01	SLINGER, ALUM (AUTO)	1.000 EA
80XN1032A07	SET SCREW, HEX XOCK, ZN	1.000 EA
HW2501E16	3KEY, 1/4 SQ X 1.750	1.000 EA
HA7000A02	KEY RETAINER RING, 1 1/8 DIA, 1 3/8 DIA	1.000 EA
85XU0407S04	4X1/4 U DRIVE PIN STAINLESS	6.000 EA
LB1359F	ALUM XP CAUTION LABEL	1.000 EA
MJ1000A02	GREASE, POLYREX EM EXXON (USe 4824-15A)	0.050 LB

Parts List (continued)		
Part Number	Description	Quantity
36FN3000A01SP	EXFN, PLASTIC, 7.00 OD, .912 ID	1.000 EA
51XB1214A16	12-14X1.00 HXWSSLD SERTYB	1.000 EA
MG1025G29	WILKOFASST, 789.229, DARK CHARCOAL GRAY	0.022 GA
HA3105A18	THRUBOLT- 3/8-16 X 13.375 X	4.000 EA
LB1119N	WARNING LABEL	1.000 EA
LC0145B01	CONNECTION LABEL	1.000 EA
NP0977XPSLEV	SS XP UL CSA-EEV CC CL-I GP-C&D	1.000 EA
G0PA1000	PKG GRP, PRINT PK1026A06	1.000 EA
MN416A01	TAG-INSTAL-MAINT no wire (1000/bx) 11/14	1.000 EA

AC Induction Motor Performance Data

Record # 32376 - Typical performance - not guaranteed values

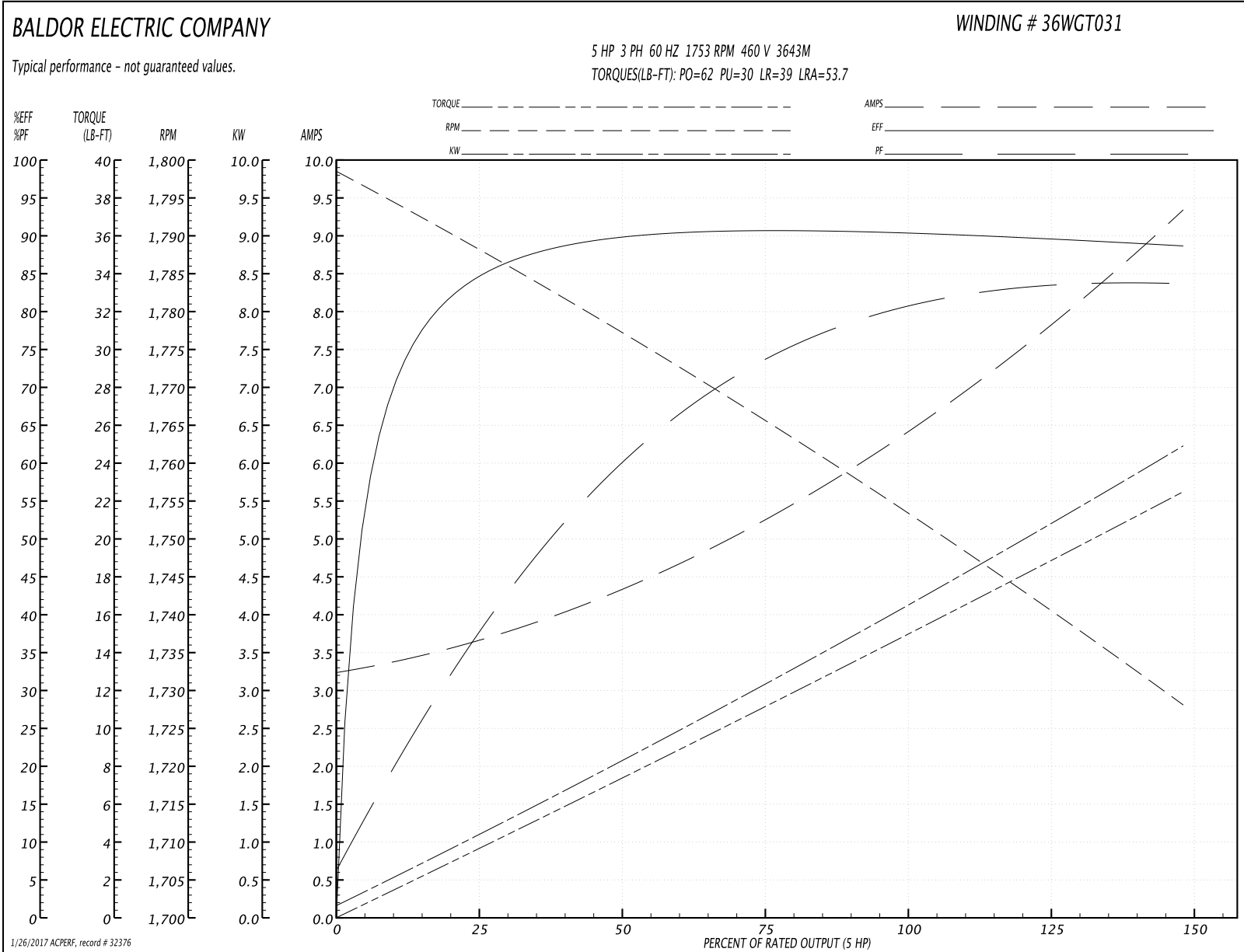
Winding: 36WGT031-R071	Type: 3643M	Enclosure: XPFC
-------------------------------	--------------------	------------------------

Nameplate Data				460 V, 60 Hz: High Voltage Connection	
Rated Output (HP)	5//3			Full Load Torque	15 LB-FT
Volts	230/460//190/380			Start Configuration	direct on line
Full Load Amps	13/6.5//10.4/5.2			Breakdown Torque	62 LB-FT
R.P.M.	1750//1450			Pull-up Torque	30 LB-FT
Hz	60//50	Phase	3	Locked-rotor Torque	39 LB-FT
NEMA Design Code	B	KVA Code	K	Starting Current	53.7 A
Service Factor (S.F.)	1.15			No-load Current	3.3 A
NEMA Nom. Eff.	89.5	Power Factor	80	Line-line Res. @ 25°C	2.13 Ω
Rating - Duty	40C AMB-CONT			Temp. Rise @ Rated Load	60°C
S.F. Amps				Temp. Rise @ S.F. Load	72°C
				Locked-rotor Power Factor	52
				Rotor inertia	0.4 LB-FT ²

Load Characteristics 460 V, 60 Hz, 5 HP

% of Rated Load	25	50	75	100	125	150	S.F.
Power Factor	40	62	74	80	84	86	82
Efficiency	84.7	89.7	90.7	90.4	89.7	88.6	90
Speed	1787	1777	1766	1753	1741	1728	1746
Line amperes	3.6	4.3	5.3	6.5	7.8	9.3	7.3

Performance Graph at 460V, 60Hz, 5.0HP Typical performance - Not guaranteed values



AC Induction Motor Performance Data

Record # 38923 - Typical performance - not guaranteed values

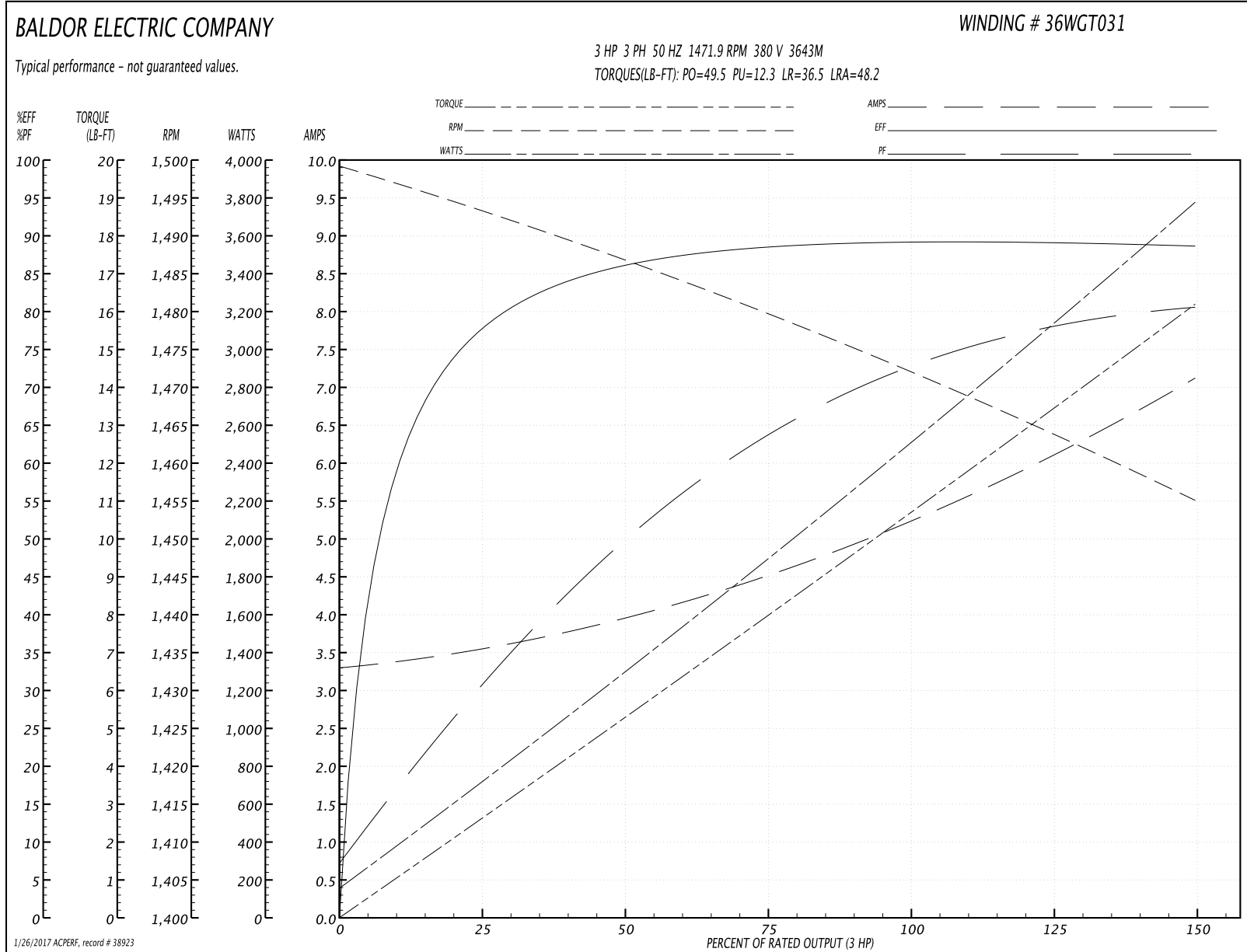
Winding: 36WGT031-R071	Type: 3643M	Enclosure: XPFC
-------------------------------	--------------------	------------------------

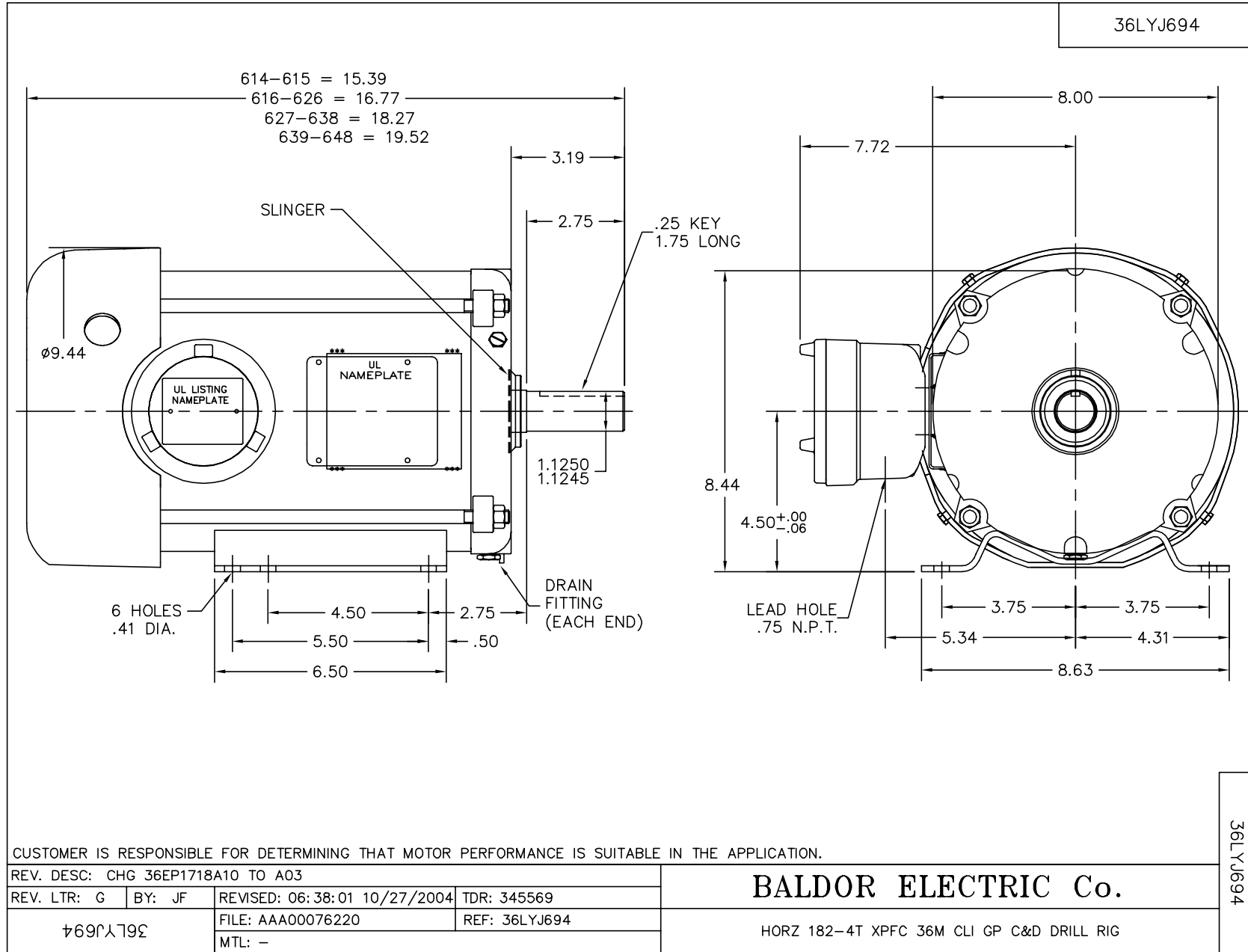
Nameplate Data				380 V, 50 Hz: High Voltage Connection	
Rated Output (HP)	5//3			Full Load Torque	10.7 LB-FT
Volts	230/460//190/380			Start Configuration	direct on line
Full Load Amps	13/6.5//10.4/5.2			Breakdown Torque	49.5 LB-FT
R.P.M.	1750//1450			Pull-up Torque	12.3 LB-FT
Hz	60//50	Phase	3	Locked-rotor Torque	36.5 LB-FT
NEMA Design Code	B	KVA Code	K	Starting Current	48.2 A
Service Factor (S.F.)	1.15			No-load Current	3.34 A
NEMA Nom. Eff.	89.5	Power Factor	80	Line-line Res. @ 25°C	2.2945 Ω
Rating - Duty	40C AMB-CONT			Temp. Rise @ Rated Load	39°C
S.F. Amps				Temp. Rise @ S.F. Load	45°C
				Locked-rotor Power Factor	57
				Rotor inertia	0.4 LB-FT ²

Load Characteristics 380 V, 50 Hz, 3 HP

% of Rated Load	25	50	75	100	125	150	S.F.
Power Factor	32	51	63	72	78	81	76
Efficiency	77.9	86	88.5	89.2	89.2	88.7	89.2
Speed	1493.7	1486.7	1479.6	1471.9	1463.6	1455.2	1467
Line amperes	3.51	3.92	4.53	5.28	6.15	7.09	5.8

Performance Graph at 380V, 50Hz, 3.0HP Typical performance - Not guaranteed values

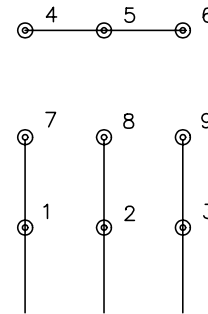




CD0005

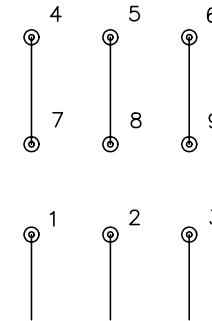


LOW VOLTAGE
(2Y)



LINE

HIGH VOLTAGE
(1Y)



LINE

NOTES:

1. INTERCHANGE ANY TWO LINE LEADS TO REVERSE ROTATION.
2. OPTIONAL THERMOSTATS ARE PROVIDED WHEN SPECIFIED.
3. ACTUAL NUMBER OF INTERNAL PARALLEL CIRCUITS MAY BE A MULTIPLE OF THOSE SHOWN ABOVE.
4. LEAD COLORS ARE OPTIONAL. LEADS MUST ALWAYS BE NUMBERED AS SHOWN.

REV. DESC: REVISE TO SHOW OPTIONAL COLORS			
REV. LTR: E	BY: JLP	REVISED: 01/19/99 10:15	TDR: 0171435
900003		FILE: AAA00005140	MDL: -
		MTL: -	

BALDOR ELECTRIC Co.

3PH, DV, 9 LEADS

CD0005