

# **BALDOR**® • **RELIANCE**

## **Product Information Packet**

# **EM7048T**

**7.5//5HP, 1180//980RPM, 3PH, 60//50HZ, 254T**

Part Detail							
Revision:	C	Status:	PRD/A	Change #:		Proprietary:	No
Type:	AC	Prod. Type:	0954M	Elec. Spec:	09WGT118	CD Diagram:	CD0005
Enclosure:	XPFC	Mfg Plant:		Mech. Spec:	09E270	Layout:	09LYE270
Frame:	254T	Mounting:	F1	Poles:	06	Created Date:	10-03-2014
Base:	RG	Rotation:	R	Insulation:	B	Eff. Date:	10-04-2016
Leads:	9#12					Replaced By:	
Literature:		Elec. Diagram:					

Nameplate NP1426XPSLEV	
NO.	<input type="text"/> CC 010A
SER.	<input type="text"/>
SPEC.	09E270T118G1
CAT.NO.	EM7048T
HP	7.5//5 T. CODE T3C
VOLTS	230/460//190/380
AMPS	22/11//19.2/9.6
RPM	1180//980
HZ	60//50 PH 3 CL B
SER.F.	1.00 DES A CODE J
RATING	40C AMB-CONT
FRAME	254T NEMA-NOM-EFF 91
USABLE AT 208V	PF 70
BLANK	<input type="text"/>

Parts List		
Part Number	Description	Quantity
SA287908	SA 09E270T118G1	1.000 EA
RA274111	RA 09E270T118G1	1.000 EA
MJ5000A01	SEALANT, CHICO A COMPOUND	0.031 LB
09CB1000A01SP	CONDUIT BOX, MACH	1.000 EA
10XN3118K16	5/16-18 X 1' GRADE #5, STL, ZINC PLATE	4.000 EA
HW1001A31	LOCKWASHER 5/16, ZINC PLT.591 OD, .319 I	4.000 EA
WD1000B16	T&B CX70TN TERMINAL	1.000 EA
10XN2520K06	1/4-20 X 3/8" HX HD SCREWGRADE 5, ZINC P	1.000 EA
HW1001A25	LOCKWASHER 1/4, ZINC PLT .493 OD, .255 I	1.000 EA
09EP1700A01	FR ENDPLATE, MACH	1.000 EA
10XN3816K28	3/8-16 X 1.75 HEX HD CAP SCREW, GRADE 5	4.000 EA
HW1001A38	LOCKWASHER 3/8, ZINC PLT .688 OD, .382 I	4.000 EA
HW5100A08	W3118-035 WVY WSHR (WB)	1.000 EA
HA2002A05	SPACER, #208 BRG	1.000 EA
10XN2520K36	1/4-20 X 2.25" HX HD SCRWGRADE 5, ZINC P	4.000 EA
HW1001A25	LOCKWASHER 1/4, ZINC PLT .493 OD, .255 I	4.000 EA
09EP1707A01	PU ENDPLATE, MACH	1.000 EA
10XN3816K28	3/8-16 X 1.75 HEX HD CAP SCREW, GRADE 5	4.000 EA
HW1001A38	LOCKWASHER 3/8, ZINC PLT .688 OD, .382 I	4.000 EA
09FH1004A01	FAN COVER, MACH	1.000 EA
10XN2520K14	1/4-20 X .88 HEX GRD 5 (20001)	3.000 EA
HW1001A25	LOCKWASHER 1/4, ZINC PLT .493 OD, .255 I	3.000 EA
09CB1500A01SP	CONDUIT BOX LID, MACH	1.000 EA
10XN2520K16	1/4-20 X 1" HX HD SCRW GRADE 5, ZINC P	6.000 EA

<b>Parts List (continued)</b>		
<b>Part Number</b>	<b>Description</b>	<b>Quantity</b>
HW1001A25	LOCKWASHER 1/4, ZINC PLT .493 OD, .255 I	6.000 EA
HW2501G25	KEY, 3/8 SQ X 2.875	1.000 EA
LB1115N	LABEL,LIFTING DEVICE (ON ROLLS)	1.000 EA
LB1073	ALUM XP CAUTION LABEL	1.000 EA
HW4500A20	1/8NPT SL PIPE PLUG	2.000 EA
MJ1000A02	GREASE, POLYREX EM EXXON (USe 4824-15A)	0.080 LB
HW4500A20	1/8NPT SL PIPE PLUG	2.000 EA
09FN3001D01	EXTERNAL FAN, PLASTIC	1.000 EA
HW2500A25	WOODRUFF KEY USA #1008 #BLOW CARBON STEE	1.000 EA
51XB1214A20	12-14X1.25 HXWSSLD SERTYB	1.000 EA
MG1025G05	WILKOFASST, 789.227, MED. GRAY CHAR. MET.	0.050 GA
85XU0407S04	4X1/4 U DRIVE PIN STAINLESS	6.000 EA
LB1119N	WARNING LABEL	1.000 EA
LC0145B01	CONNECTION LABEL	1.000 EA
NP1426XPSLEV	SS XP UL CSA-EEV CC CL-I GP-D	1.000 EA
40PA1005	PACKAGING GROUP, 09 STD	1.000 EA
MN416A01	TAG-INSTAL-MAINT no wire (1000/bx) 11/14	1.000 EA

**AC Induction Motor Performance Data**

Record # 47562 - Typical performance - not guaranteed values

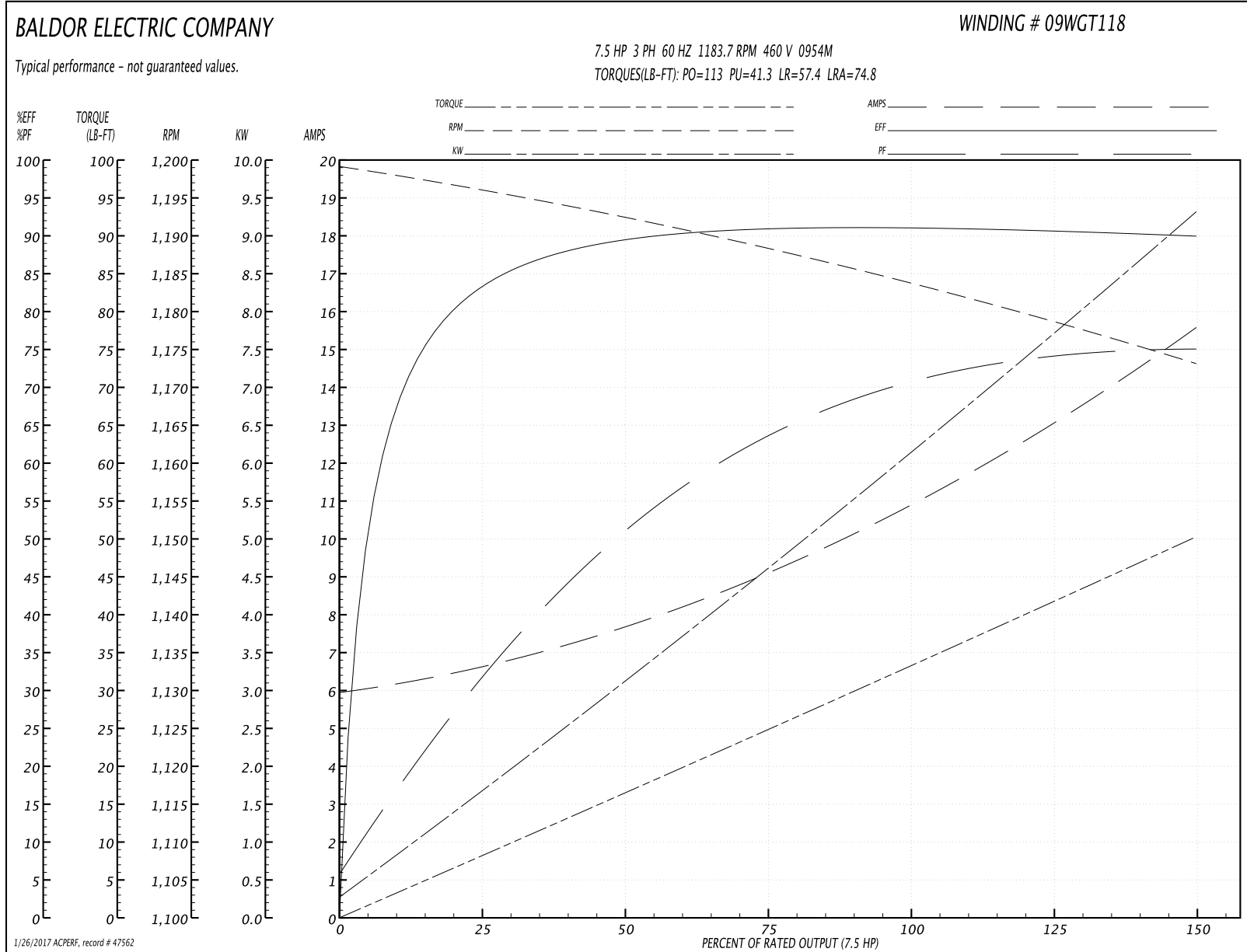
<b>Winding:</b> 09WGT118-R005	<b>Type:</b> 0954M	<b>Enclosure:</b> XPFC
-------------------------------	--------------------	------------------------

Nameplate Data				460 V, 60 Hz: High Voltage Connection	
Rated Output (HP)	7.5//5			Full Load Torque	33.2 LB-FT
Volts	230/460//190/380			Start Configuration	direct on line
Full Load Amps	22/11//19.2/9.6			Breakdown Torque	113 LB-FT
R.P.M.	1180//980			Pull-up Torque	41.3 LB-FT
Hz	60//50	Phase	3	Locked-rotor Torque	57.4 LB-FT
NEMA Design Code	A	KVA Code	J	Starting Current	74.8 A
Service Factor (S.F.)	1			No-load Current	6.06 A
NEMA Nom. Eff.	91	Power Factor	70	Line-line Res. @ 25°C	0.87037 Ω
Rating - Duty	40C AMB-CONT			Temp. Rise @ Rated Load	36°C

Load Characteristics 460 V, 60 Hz, 7.5 HP

% of Rated Load	25	50	75	100	125	150
Power Factor	32	52	63	70	74	75
Efficiency	83.2	89.4	90.9	91.1	90.7	89.9
Speed	1196.5	1192.4	1188.3	1183.7	1178.7	1173.2
Line amperes	6.49	7.59	9.09	11	13.1	15.5

Performance Graph at 460V, 60Hz, 7.5HP Typical performance - Not guaranteed values



**AC Induction Motor Performance Data**

Record # 47563 - Typical performance - not guaranteed values

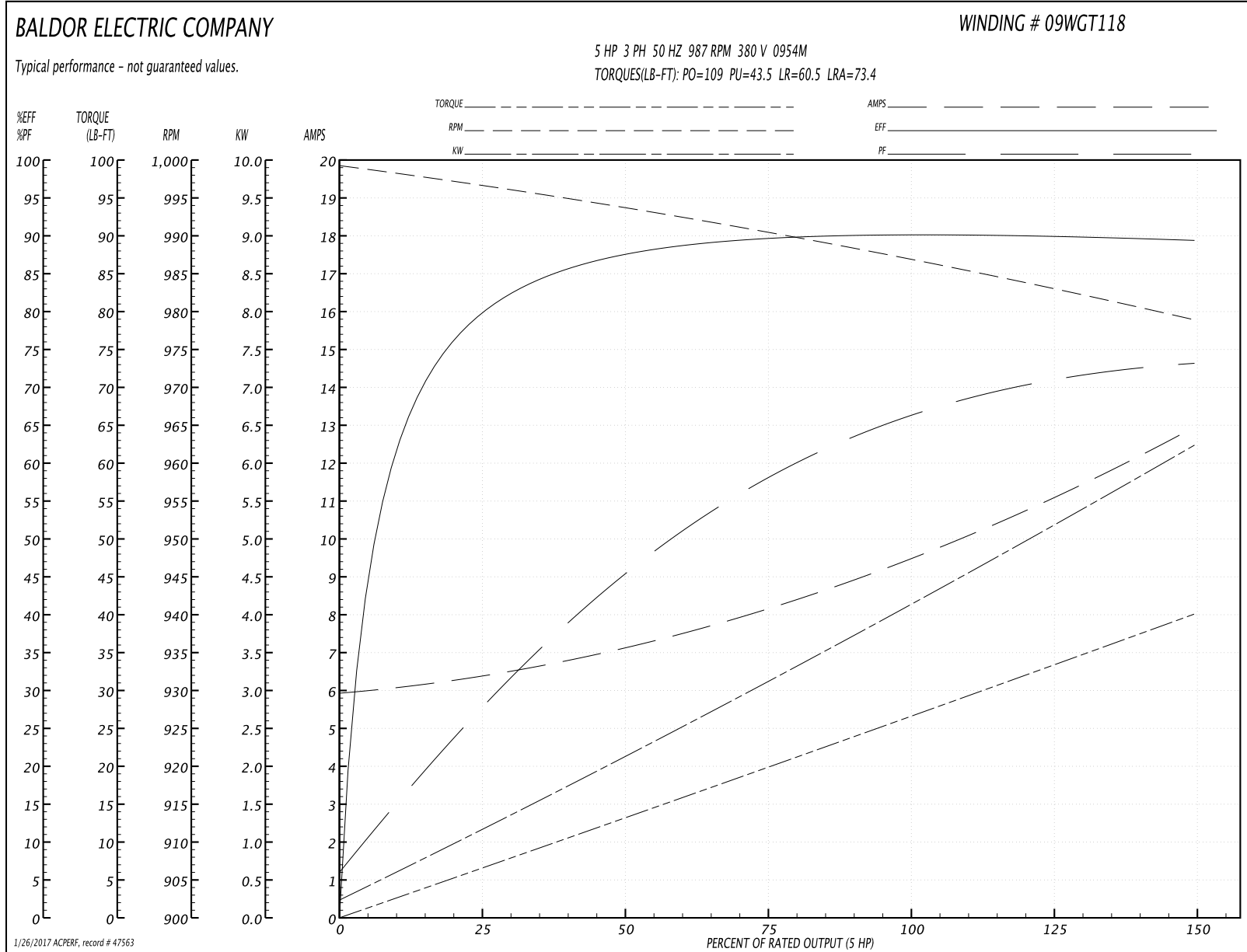
<b>Winding:</b> 09WGT118-R005	<b>Type:</b> 0954M	<b>Enclosure:</b> XPFC
-------------------------------	--------------------	------------------------

Nameplate Data				380 V, 50 Hz: High Voltage Connection	
Rated Output (HP)	7.5//5			Full Load Torque	26.6 LB-FT
Volts	230/460//190/380			Start Configuration	direct on line
Full Load Amps	22/11//19.2/9.6			Breakdown Torque	109 LB-FT
R.P.M.	1180//980			Pull-up Torque	43.5 LB-FT
Hz	60//50	Phase	3	Locked-rotor Torque	60.5 LB-FT
NEMA Design Code	A	KVA Code	J	Starting Current	73.4 A
Service Factor (S.F.)	1			No-load Current	6 A
NEMA Nom. Eff.	91	Power Factor	70	Line-line Res. @ 25°C	0.895 Ω
Rating - Duty	40C AMB-CONT			Temp. Rise @ Rated Load	29°C
				Locked-rotor Power Factor	28.9
				Rotor inertia	4.34 LB-FT <sup>2</sup>

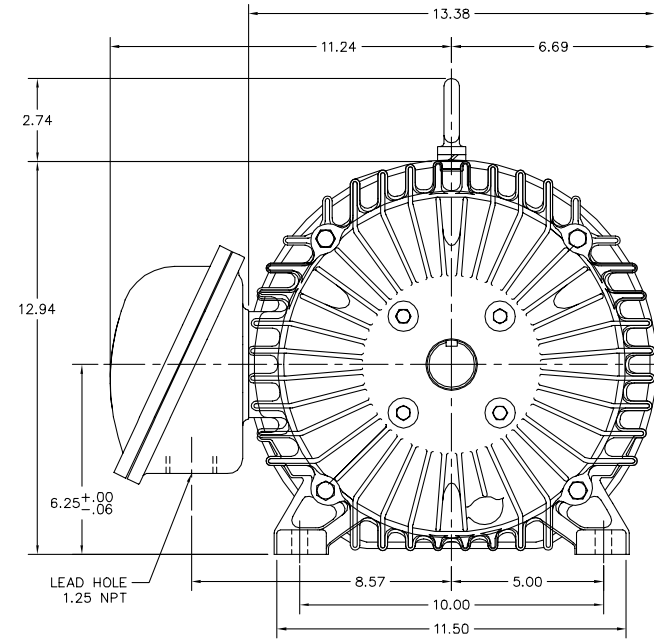
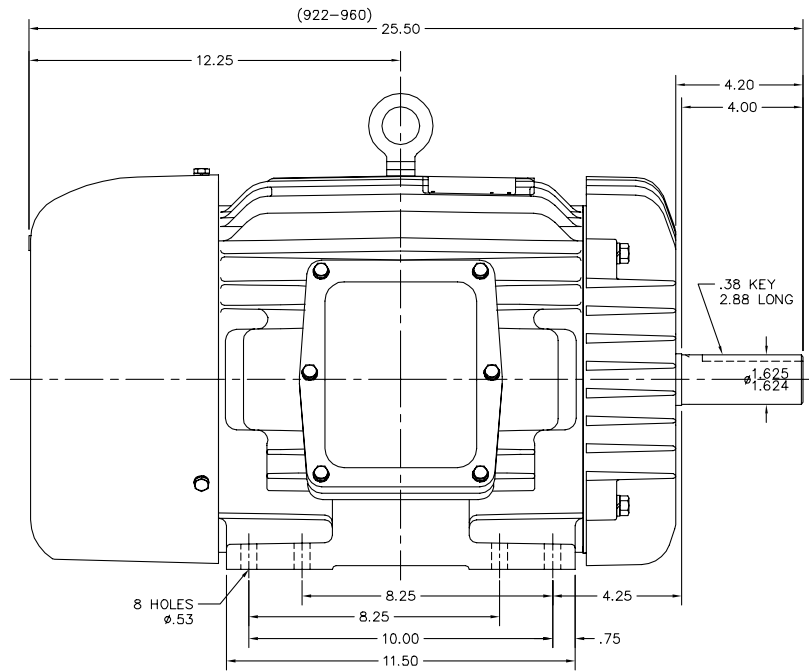
Load Characteristics 380 V, 50 Hz, 5 HP

% of Rated Load	25	50	75	100	125	150
Power Factor	28	46	58	66	71	74
Efficiency	79.9	87.2	89.7	90.3	90.1	89.3
Speed	997	994	990	987	983	979
Line amperes	6.3	7.07	8.15	9.56	11.1	12.9

Performance Graph at 380V, 50Hz, 5.0HP Typical performance - Not guaranteed values



09LYE270



09LYE270

CUSTOMER IS RESPONSIBLE FOR DETERMINING THAT BALDOR'S PRODUCT WILL PERFORM SUITABLY IN THE INTENDED APPLICATION.

REV. DESC: UPDATED DESCRIPTION		
REV. LTR: G	VERSION: 04	TDR: 000000855922
FILE: \AAA\00000\626	REVISED: 08:34:04 05/30/2014	BY: ENNINDO
MTL: -		

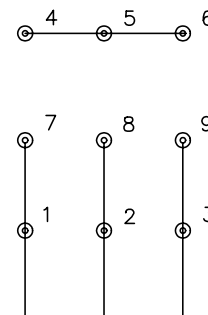
**BALDOR**

HORZ XPFC 254-6T CL.I GP.D,CL.II GP.F&G  
SH 1 of 1

CD0005

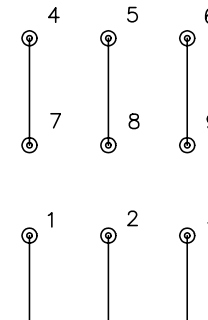


LOW VOLTAGE  
(2Y)



LINE

HIGH VOLTAGE  
(1Y)



LINE

NOTES:

1. INTERCHANGE ANY TWO LINE LEADS TO REVERSE ROTATION.
2. OPTIONAL THERMOSTATS ARE PROVIDED WHEN SPECIFIED.
3. ACTUAL NUMBER OF INTERNAL PARALLEL CIRCUITS MAY BE A MULTIPLE OF THOSE SHOWN ABOVE.
4. LEAD COLORS ARE OPTIONAL. LEADS MUST ALWAYS BE NUMBERED AS SHOWN.

REV. DESC: REVISE TO SHOW OPTIONAL COLORS			
REV. LTR: E	BY: JLP	REVISED: 01/19/99 10:15	TDR: 0171435
900000		FILE: AAA00005140	MDL: -
		MTL: -	

**BALDOR ELECTRIC Co.**

3PH, DV, 9 LEADS

CD0005