

BALDOR® • **RELIANCE**

Product Information Packet

EMVM3559D

2.2KW,3450RPM,3PH,60HZ,D90SD,LD,3532M,TE

Part Detail							
Revision:	C	Status:	PRD/A	Change #:		Proprietary:	No
Type:	AC	Prod. Type:	3532M	Elec. Spec:	35WGQ060	CD Diagram:	CD0005
Enclosure:	TEFC	Mfg Plant:		Mech. Spec:	35Q175	Layout:	35LYQ175
Frame:	D90SD,LD	Mounting:	B5	Poles:	02	Created Date:	05-06-2015
Base:	N	Rotation:	R	Insulation:	F	Eff. Date:	11-16-2016
Leads:	9#18					Replaced By:	
Literature:		Elec. Diagram:					

Nameplate NP3386L					
CAT.NO.	EMVM3559D				
SPEC.	35Q175Q060G1				
IEC FRAME	D90SD,LD	KW	2.2KW		
VOLTS	230/460				
AMP	7.2/3.6				
RPM	3450	ENCL	TEFC		
HZ	60	PH	3	CL	F
SER.F.	1.15	DES	B	CODE	L
NEMA-NOM-EFF	86.5	I.P.	44		
RATING	40C AMB-CONT				
CC	010A	USABLE AT 208V	7.9		
DE	6205	ODE	6203		
SER. #					

Parts List		
Part Number	Description	Quantity
SA300391	SA 35Q175Q060G1	1.000 EA
RA287445	RA 35Q175Q060G1	1.000 EA
34FN3002B01	EXTERNAL FAN, PLASTIC, .637/.639 HUB W/	1.000 EA
S/P107-000-001	SUPER E PROC'S-FS, WS & CK PLTS	1.000 EA
NS2512A01	INSULATOR, CONDUIT BOX X	1.000 EA
35CB3007	35 CB CASTING W/.88 DIA. LEAD HOLE	1.000 EA
36GS1000SP	GASKET-CONDUIT BOX, .06 THICK #SV-330 LE	1.000 EA
51XB1016A07	10-16 X 7/16 HXWSSLD SERTYB	2.000 EA
11XW1032G06	10-32 X .38, TAPTITE II, HEX WSHR SLTD U	1.000 EA
35EP3100M01	FREP TEFC 203 BRG W/GRSR (RAISED FH PADS	1.000 EA
HW4500A01	1641B(ALEMITE)400 UNIV, GREASE FITT	1.000 EA
HW5100A03SP	WAVY WASHER (W1543-017)	1.000 EA
35EP1518A01	MODEL 35 IEC FF165 MACH. 80 & D90 205 BR	1.000 EA
HW4500A01	1641B(ALEMITE)400 UNIV, GREASE FITT	1.000 EA
HW4600A30	GARLOCK 63X273 SINGLE LIP SEAL	1.000 EA
51XN1032A20	10-32 X 1 1/4 HX WS SL SR	2.000 EA
35FH4005A84SP	IEC FH W/GRSR, NO DIMPLES PRIMED	1.000 EA
51XW1032A06	10-32 X .38, TAPTITE II, HEX WSHR SLTD S	3.000 EA
35CB4521	35 LIPPED CB LID (GALV & PHOSPH)	1.000 EA
35GS1030	35 GS FOR CB LID - LEXIDE	1.000 EA
51XW0832A07	8-32 X .44, TAPTITE II, HEX WSHR SLTD SE	4.000 EA
HW2505A11	KEY, 8 X 7 MM 1.125" X	1.000 EA
MJ5001A27	32220KN GRAY SEALER *MIN BUY 4 QTS=1GAL	0.001 QT
85XU0407S04	4X1/4 U DRIVE PIN STAINLESS	2.000 EA

Parts List (continued)		
Part Number	Description	Quantity
MJ1000A02	GREASE, POLYREX EM EXXON (USe 4824-15A)	0.050 LB
MG1000Y03	MUNSELL 2.53Y 6.70/ 4.60, GLOSS 20,	0.017 GA
HA3100A18	THRUBOLT 10-32 X 9.250	4.000 EA
LB1119N	WARNING LABEL	1.000 EA
MN416A01	TAG-INSTAL-MAINT no wire (1000/bx) 11/14	1.000 EA
LC0005	CONN.DIA.,TY M,9-LD,DUAL VOLT,REVERSING	1.000 EA
NP3386L	ALUM SUPER-E IEC UL CSA-EEV CC	1.000 EA
36PA1000	PKG GRP, PRINT PK1016A06	1.000 EA
PK3082	STYROFOAM CRADLE	1.000 EA

AC Induction Motor Performance Data

Record # 61529 - Typical performance - not guaranteed values

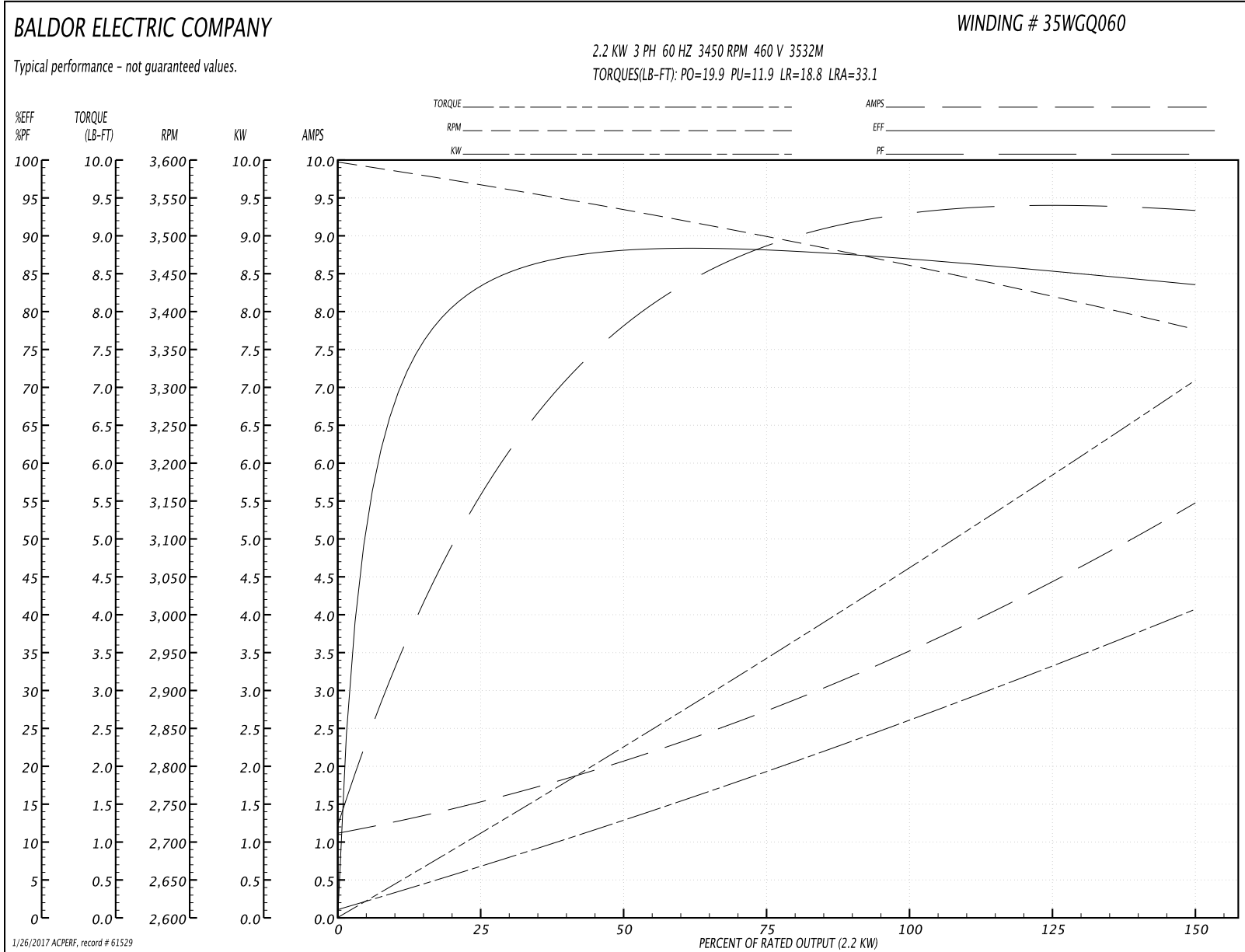
Winding: 35WGQ060-R022	Type: 3532M	Enclosure: TEFC
-------------------------------	--------------------	------------------------

Nameplate Data				460 V, 60 Hz: High Voltage Connection	
Rated Output (KW)	2.2			Full Load Torque	4.61 LB-FT
Volts	230/460			Start Configuration	direct on line
Full Load Amps	7.2/3.6			Breakdown Torque	19.9 LB-FT
R.P.M.	3450			Pull-up Torque	11.9 LB-FT
Hz	60	Phase	3	Locked-rotor Torque	18.8 LB-FT
NEMA Design Code	B	KVA Code	L	Starting Current	33.1 A
Service Factor (S.F.)	1.15			No-load Current	1.17 A
NEMA Nom. Eff.	86.5	Power Factor	92	Line-line Res. @ 25°C	4.7916 Ω
Rating - Duty	40C AMB-CONT			Temp. Rise @ Rated Load	57°C
S.F. Amps				Temp. Rise @ S.F. Load	72°C

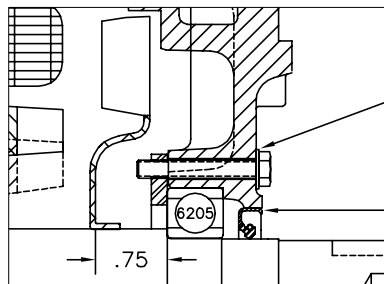
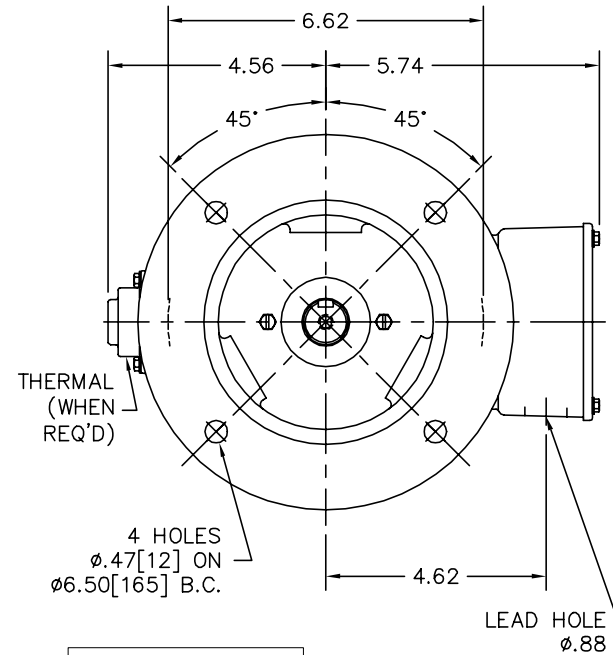
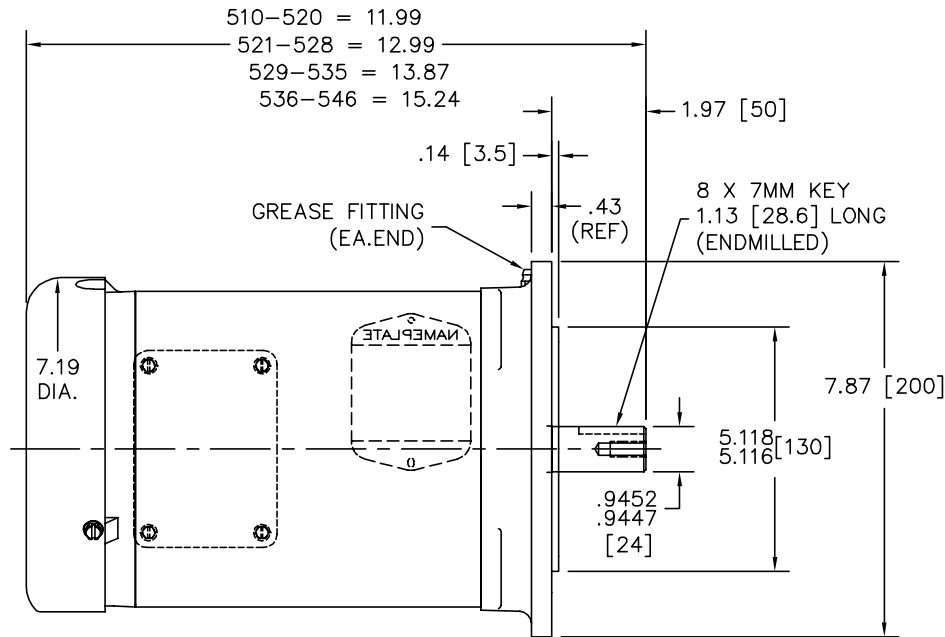
Load Characteristics 460 V, 60 Hz, 2.2 KW

% of Rated Load	25	50	75	100	125	150	S.F.
Power Factor	62	81	88	92	93	94	93
Efficiency	83.7	87.9	88.2	87.2	85.6	83.5	86.2
Speed	3562.2	3530.9	3497.8	3462.5	3420.8	3375.4	3437
Line amperes	1.5	2.08	2.79	3.57	4.46	5.44	4.1

Performance Graph at 460V, 60Hz, 2.2KW Typical performance - Not guaranteed values



35LYQ175

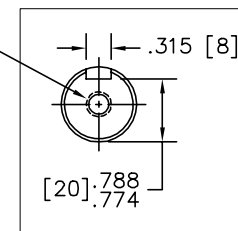


PULLEY END DETAIL

OMIT LOCKWASHER & COAT UNDER SCREW HEAD WITH SEALER BEFORE INSTALLING.

APPLY COAT OF SEALER TO HOUSING BEFORE PRESSING IN SEAL. SEAL MUST BE PRESSED W/LIP OUT.

M8 x 1.25 TAP
 .75 [19] DEEP



KEYWAY DETAIL

CUSTOMER IS RESPONSIBLE FOR DETERMINING THAT BALDOR'S PRODUCT WILL PERFORM SUITABLY IN THE INTENDED APPLICATION.

REV. DESC: REMOVE RED FROM PULLEY END DESCRIPTION		
REV. LTR: G	VERSION: 03	TDR: 000000877506
FILE: \AAA\00050\737	REVISED: 02:40:36 10/24/2014	BY: ENFRAJO
MTL: -	⊙ ⊚	

BALDOR

VER D90SD, LD TEFC M F2 W/SEAL, SHORT STYLE PUEP

SH 1 of 1

35LYQ175

CD0005

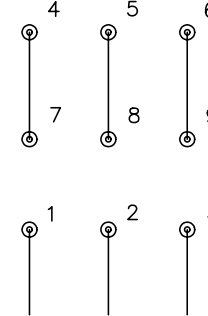


LOW VOLTAGE
(2Y)



LINE

HIGH VOLTAGE
(1Y)



LINE

NOTES:

1. INTERCHANGE ANY TWO LINE LEADS TO REVERSE ROTATION.
2. OPTIONAL THERMOSTATS ARE PROVIDED WHEN SPECIFIED.
3. ACTUAL NUMBER OF INTERNAL PARALLEL CIRCUITS MAY BE A MULTIPLE OF THOSE SHOWN ABOVE.
4. LEAD COLORS ARE OPTIONAL. LEADS MUST ALWAYS BE NUMBERED AS SHOWN.

REV. DESC: REVISE TO SHOW OPTIONAL COLORS			
REV. LTR: E	BY: JLP	REVISED: 01/19/99 10:15	TDR: 0171435
9000D		FILE: AAA00005140	MDL: -
		MTL: -	

BALDOR ELECTRIC Co.

3PH, DV, 9 LEADS

CD0005