

BALDOR® • *RELIANCE*

Product Information Packet

IDDRPM281504

150HP, 1750/2000, 3PH, RL2882, DPFV, F1

Part Detail							
Revision:	-	Status:	PRD/A	Change #:		Proprietary:	No
Type:	AC	Prod. Type:		Elec. Spec:	L0234A	CD Diagram:	422927-001
Enclosure:	DPFV	Mfg Plant:		Mech. Spec:		Layout:	617243-001
Frame:	RL2882	Mounting:	F1	Poles:	04	Created Date:	04-10-2015
Base:		Rotation:	R	Insulation:	H	Eff. Date:	04-13-2015
Leads:						Replaced By:	
Literature:		Elec. Diagram:					

		DUTY	HP	RPM	AMPS	VOLTS	HZ		
	CONT		150	1755	180	460	60		
	CONT		150	2000	180	460	68.5		
CAT.NO.	IDDRPM281504			SPEC. NO.		P28R0309			
SER.NO.				FR	RL 2882	INSUL	H		
PH.	3	MAX SAFE SPEED		5000	AMB.	40	MIN. AMB. -25		
DESIGN NO.	L0234A			TYPE		ENCL.	DP		
S.F.	1.0			D.E. BRG.	75BC02J30X				
ENCL MOD	FORCE VENT			O.D.E. BRG.	55BC02J30X				

Parts List		
Part Number	Description	Quantity
WS286672	WS P28R0309	1.000 EA
RA282880	RA P28R0309	1.000 EA
000613006MY	NP-RPMAC INVERTER DUTY	1.000 EA
000692000FP	NP, WARNING LIFT INSTRUCTIONS	1.000 EA
000692000LD	NP	1.000 EA
000692000VD	LABEL WARNING	1.000 EA
418057747A	METAL FASTENER	8.000 EA
422927001	C/D LABEL	1.000 EA
004824015A	GREASE POLYREX EM	0.300 LB
034693001AB	PPLG - G508- use 034692001AB	1.000 EA
034693001AB	PPLG - G508- use 034692001AB	1.000 EA
035000001A	ALFTG 1/8" 1610-BL	1.000 EA
035000001A	ALFTG 1/8" 1610-BL	1.000 EA
036100080JA	HSHCS M8 80MM UNPLATED	3.000 EA
036100080KA	M10-1.50X 80MM HXSOCHDCS	3.000 EA
036140001D	EYEBOLT - 360	2.000 EA
036500011AB	METRIC NUT M12-1.75 PLT.	4.000 EA
036500011AB	METRIC NUT M12-1.75 PLT.	4.000 EA
400638001G	WAVEN	1.000 EA
418150003A	GREASE FITTING CAP	2.000 EA
602018077A	DRAIN	1.000 EA
602018077A	DRAIN	1.000 EA
609830005AAG	TBOLT METRIC	4.000 EA
807529002AAE	BRKT,DE,RL280	1.000 EA

Parts List (continued)		
Part Number	Description	Quantity
807529003ACB	BRKT,ODE,RL280	1.000 EA
000613006NT	NAME PLATE IEC	1.000 EA
032018004DK	HHCS,DRIP COVER	4.000 EA
032018006CK	HHCS 3/8-16X3/4L PLATED	4.000 EA
034017014AB	LCKW 3/8 STD. PLATED	4.000 EA
034017016AB	LCKW 1/2" PLATED	4.000 EA
036000012HB	HHCS M6X12MM LONG PLATED	4.000 EA
036000012JB	M8-1.25 X 12MM HXHDC	3.000 EA
036000012JB	M8-1.25 X 12MM HXHDC	4.000 EA
036000016KB	HHCSM10-1.5X16MM PLTD-280	2.000 EA
036000016KF	HHCS M10 16MM BRASS	2.000 EA
036000020JB	HHCS M8-1.25X20L PLTD-250	8.000 EA
036000025JB	HHCS M8X25MM LONG PLATED	4.000 EA
036600009AB	METRIC FLWASH M8 PLATED	3.000 EA
036620009AB	M8 EXTERNAL LK WASHER	3.000 EA
036620010AB	M10 EXT. TOOTH LK WASHER	2.000 EA
077176001A	CBOXC, PAINTED 360-400	1.000 EA
402731001A	GASK 360-440	1.000 EA
410978010C	FLANGE, INLET BLOWER HSG.	1.000 EA
410978019A	SCREEN, INLET FLANGE	1.000 EA
415000103E	T/LUG #4AWG-1/0AWG W/HOLE FOR .375 BOLT	1.000 EA
417733004AA	GASKET	2.000 EA
418018074A	GROUND LABEL G100 METRIC 160 D.C.	3.000 EA
422919360	HAND HOLE CVR KIT RL280	1.000 EA

Product Information Packet: IDDRPM281504 - 150HP, 1750/2000, 3PH, RL2882, DPFV, F1

422919360	HAND HOLE CVR KIT RL280	1.000 EA
609843001AH	GASKET RL280 (HHCVR)	1.000 EA
610490001AH	.75HP,3450//2850RPM,3PH,60//50HZ,56C,351	1.000 EA
611965001A	WHEEL, BLOWER	1.000 EA
706305301A	GUARD, SHAFT	1.000 EA
706320016A	CONDUIT BOX	1.000 EA
708528004J	BLOWER HOUSING	1.000 EA
000640000P	TAG WINDING THERMOST	1.000 EA
004824007K	SPECIAL PAINT	0.100 EA
034180032HA	KEY 5/8X5/8X4 L bin stocked	1.000 EA
418018116	WARNING PLATE	1.000 EA

REL. S. O. -
 FRAME RL2882
 HP 150
 BASE SPEED 1755
 PHASE/HERTZ 3/60

VOLTS 460
 AMPS 179.52
 DUTY CONT 1.0
 S.F. P.F. 0.866
 AMB °C/INSUL 40/H

ENCLOSURE DPFV
 MAX SAFE RPM 5000
 IM (AMPS) 50.44
 P.F. @NL/FL .054/.866
 WK² (LB-FT²) 8.3

WYE CONN EQ CKT OHMS PER PHASE (AT BASE RATING, 25 °C)
 R1 .0332 X1 .230
 R2 .0230 X2 .222
 XM 5.35


RATED FULL LOAD DATA

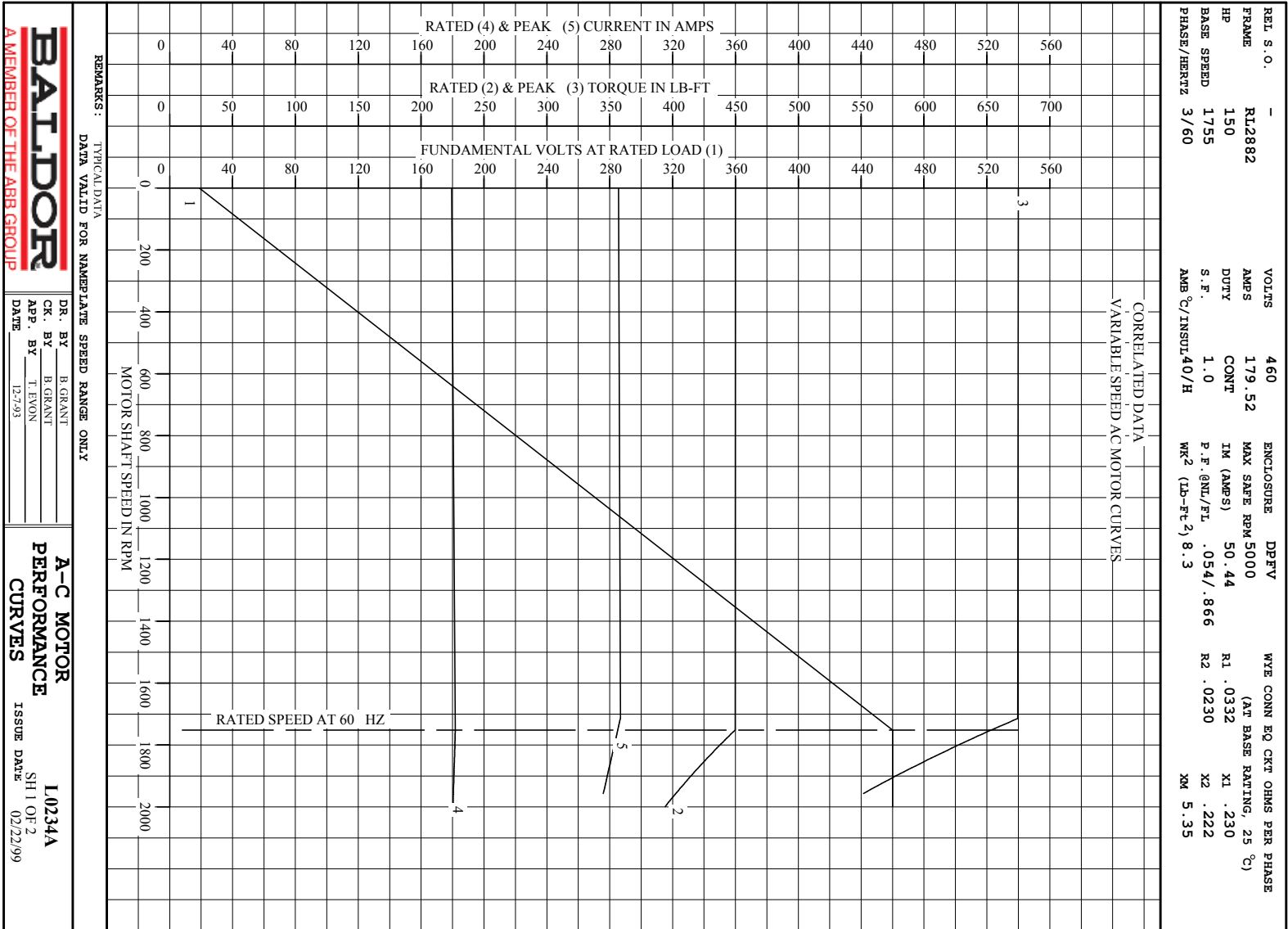
	RPM	HP	TORQUE LB-FT	FUND VOLTS	FREQ-HZ	AMPS
BASE SPEED	1752	150	450	460	60	182
MAX SPEED	1999	150	394	460	68.5	180
MIN SPEED	0	0	0	18.9	1.61	180

LOAD PERFORMANCE AT BASE SPEED

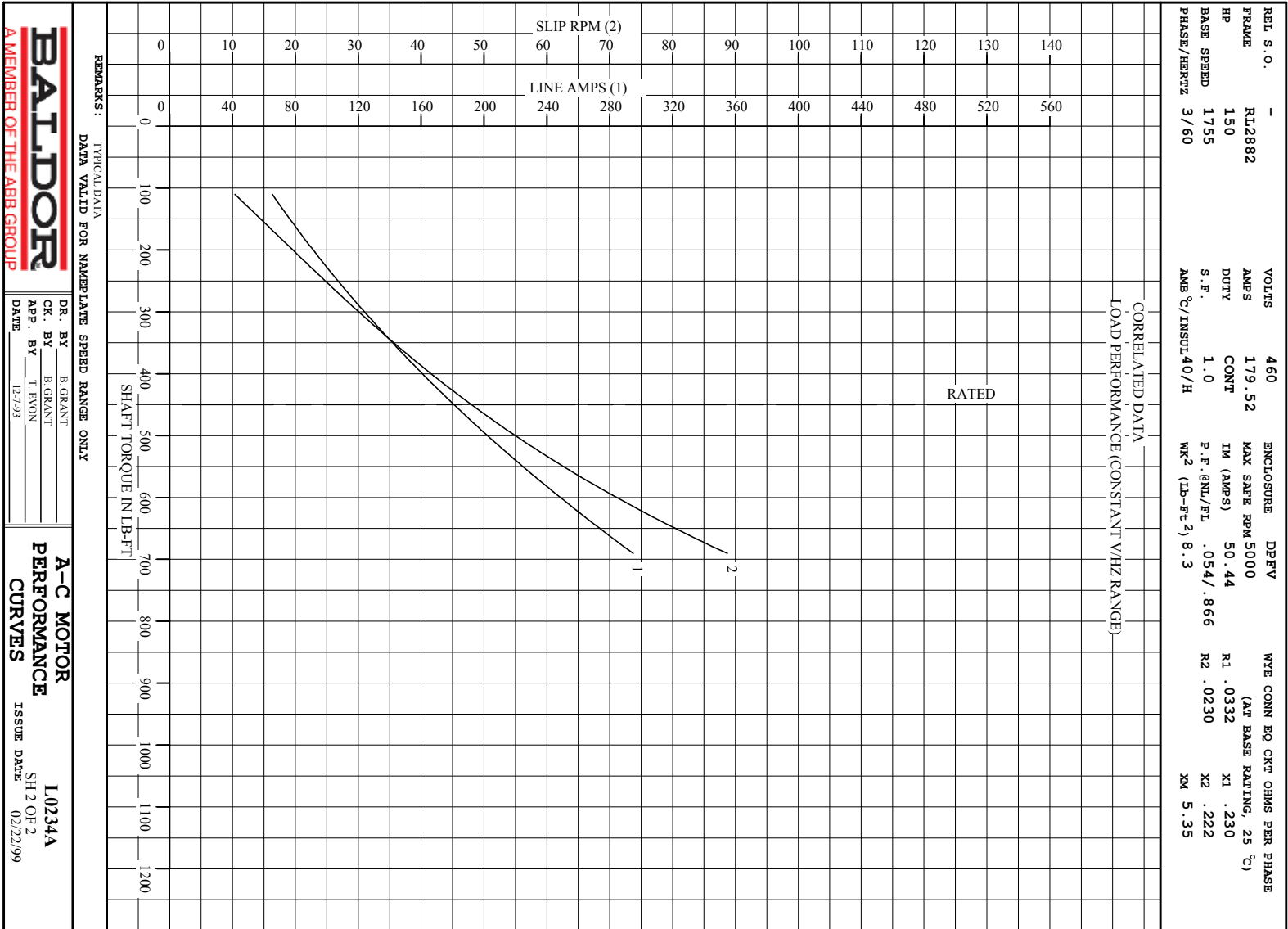
	RPM	HP	TORQUE LB-FT	FUND VOLTS	FREQ-HZ	AMPS
NO LOAD	1800	0	0	460	60	49.4
1/4	1790	37.5	110	460	60	65.6
1/2	1778	75.0	221	460	60	97.3
3/4	1766	112	334	460	60	136
FULL LOAD	1752	150	450	460	60	182
O/L	1714	220	675	460	60	287

REMARKS: TYPICAL DATA
 CORRELATED DATA

 <p>BALDOR A MEMBER OF THE ABB GROUP</p>	DR. BY B. GRANT	<p>A-C MOTOR PERFORMANCE DATA</p> <p>I0234A ISSUE DATE 02/22/99</p>
	CK. BY T. EVON APP. BY 12-7-93 DATE	



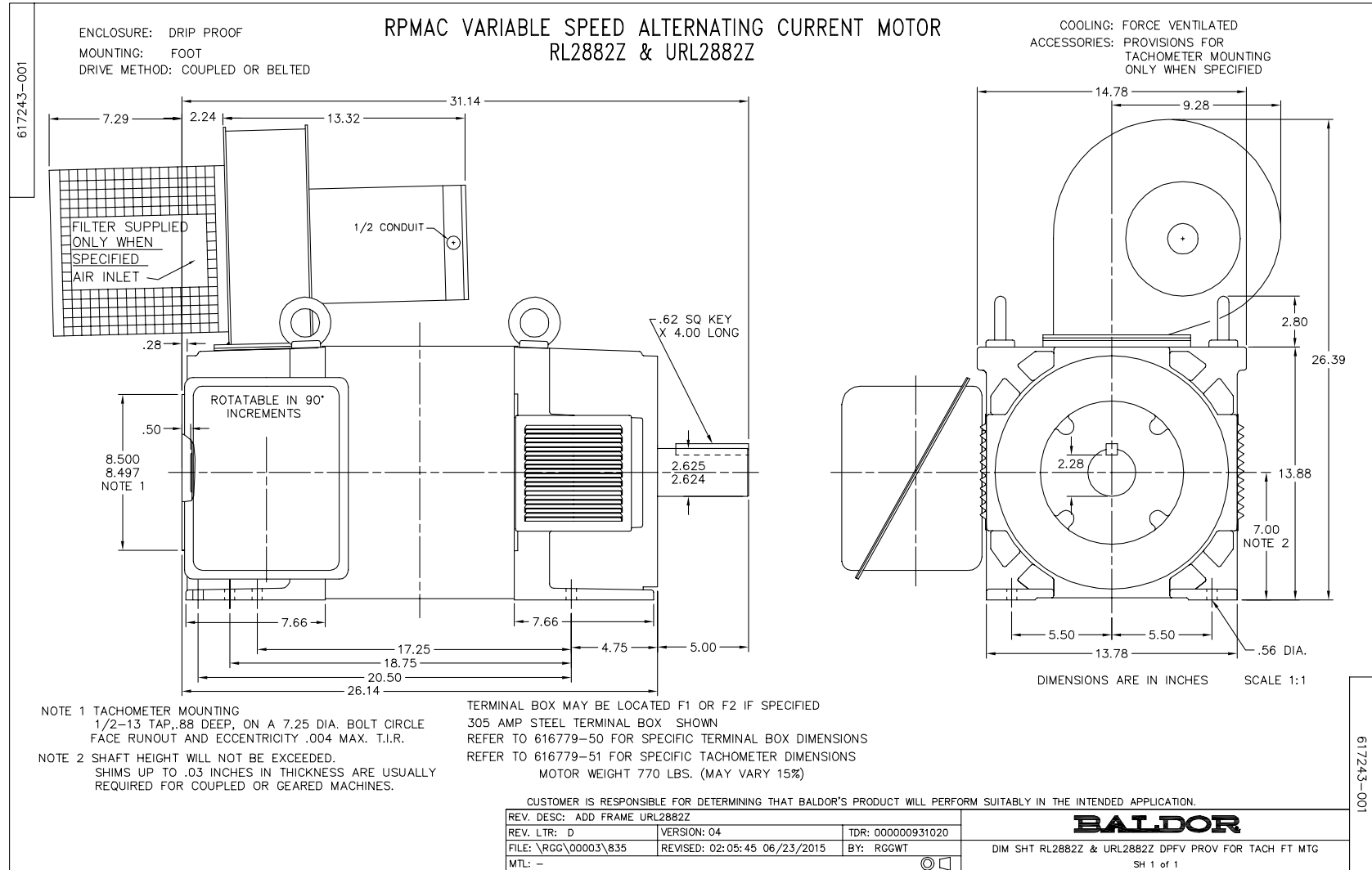
1



BALDOR
A MEMBER OF THE ABB GROUP

DR. BY B. GRANT
CK. BY B. GRANT
APP. BY T. EVON
DATE 12-7-93

A-C MOTOR
PERFORMANCE
CURVES
L0234A
SH 2 OF 2
ISSUE DATE 02/22/99

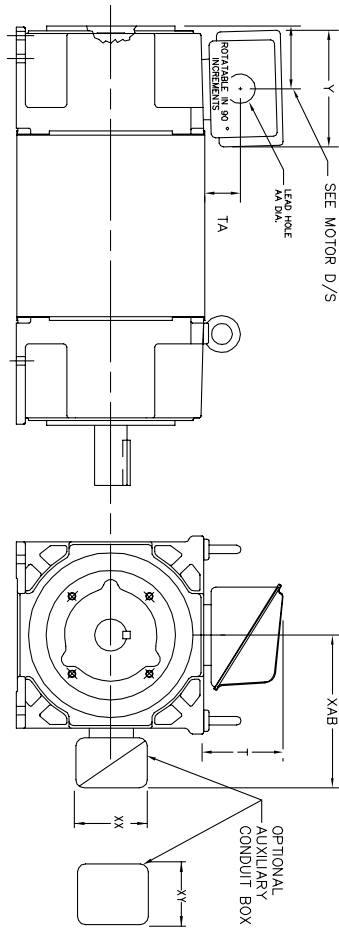


616779-050

INDUSTRIAL ALTERNATING CURRENT MOTORS

RPM AC

STEEL, CAST IRON, MILL AND TERMINAL BOARD CONDUIT BOX DIMENSIONS
 NEMA FRAMES FL210 thru RL280 and IEC FRAMES RDL132 thru RDL180
 NEMA FRAMES FL180 thru FL280 and IEC FRAMES FDL112 thru FDL180



TERMINAL BOX	Y	TA	T	AA	MAX AMP'S	REMARKS
706310-63B	14.39	7.43	12.15	--	400	TERMINAL STRIP
706310-226R	9.00	3.06	5.40	Pg36 & Pq16	160	TERMINAL STRIP
706310-225R	7.25	2.30	4.40	Pg29 & Pq16	100	TERMINAL STRIP
706310-56B	9.00	3.06	5.40	Pg36 & Pq16	160	TERMINAL STRIP
706310-56A	7.75	2.30	4.40	Pg29 & Pq16	100	TERMINAL STRIP
706320-14D	15.00	7.56	12.81	5	510	CAST IRON
706320-13A	10.50	4.88	9.00	4.0 TAP	210	CAST IRON
706320-12B	9.25	4.81	8.56	3	140	CAST IRON
75460-62B	7.25	2.50	5.25	1.5 TAP	110	CAST IRON
706320-4C	5.75	2.38	4.38	1.0 TAP	60	CAST IRON FL180 ONLY
706310-3E	16.00	4.40	7.81	3	590	MILL
706310-3X	8.00	2.38	5.00	--	160	MILL
702658-1G	14.62	7.56	12.70	5	500	STEEL
706320-16A	9.00	4.12	8.44	4.59	305	STEEL
706320-9A	7.25	3.50	7.06	2.50	160	STEEL
75454-1AJ	7.69	2.38	5.25	1.94	121	STEEL
75452-B	6.34	2.00	4.12	1.75	61	STEEL
75452-G	6.34	2.00	4.12	--	61	SPECIAL
706320-5A	6.12	2.38	4.38	1.75/2.00	75	STEEL FL180 ONLY
706320-3A	5.00	1.62	3.00	1.12	40	STEEL FL180 ONLY
706320-7A	7.62	2.00	7.00	2.5/3.0	208	STEEL FL180 ONLY

FRAME SIZE	XAB	OPTIMAL AUXILIARY CONDUIT BOX DIMENSIONS (MAXIMUM)				PART NUMBER			
		XX	XY	XAB	XY				
FL210/FL132/RL210/RL132	7.38	4.25	4.25	6.0200-7-26-A	FL210/FL132/RL210/RL132	10.88	8.00	8.00	706310-3-B
FL230/FL150/RL230/RL150	8.44	4.23	4.23	6.0200-7-26-A	FL230/FL150/RL230/RL150	11.88	8.00	8.00	706310-3-B
FL280/FL180/RL280/RL180	9.12	4.23	4.23	6.0200-7-26-A	FL280/FL180/RL280/RL180	12.62	8.00	8.00	706310-3-B

- (1) 'AA' CONDUIT
- (2) 'AA' PIPE TAP
- (3) CUSTOMER TO PROVIDE HOLE FOR CONDUIT.
- (4) 'E' ON 'SA' OR 'I' TAP ON '4C'

TERMINAL BOX CAN BE ROTATED FOR LEAD OUTLET AT TOP, SIDES OR BOTTOM.
 TERMINAL BOX LOCATED ON OPPOSITE SIDE WHEN F-2, W-1, W-4, W-5, W-7,
 OR C-1 MOUNTING IS SPECIFIED. BOX LOCATED ON TOP WHEN SPECIFIED.

050-60761919

CUSTOMER IS RESPONSIBLE FOR DETERMINING THAT BALDOR'S PRODUCT WILL PERFORM SUITABLY IN THE INTENDED APPLICATION.

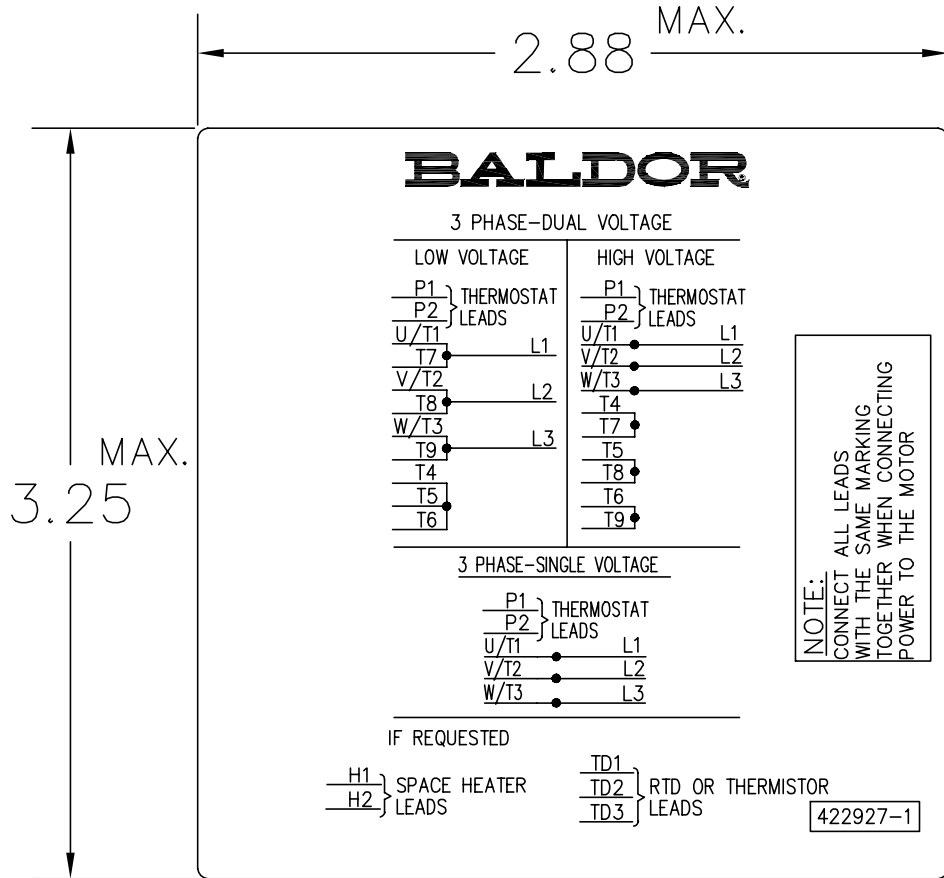
REV. DESC: BOX # 706320-9A, CHANGE AA DIM FROM 2 TO 2.50	TDR: 000000785386
REV. LTR: C	VERSION: 03
FILE: \RGG\00003\692	REVISED: 08:40:55 02/11/2013
MTL: -	BY: RGGWT

BALDOR

DIM SHT NEMA RL210-RL280 FL180-FL280 IEC RDL132-RDL180

SH 1 of 1

422927-001



NOTE:
DATA TO BE SIZED
SO THAT IT FITS INTO
MATERIAL DECAL
DIMENSIONS. MAKE
LETTERS & NUMBERS
AS LARGE AS POSSIBLE.

MATERIAL: CERAMATIC DGF-P4
PERMA GRIP ADHESIVE

ALL LETTERS, NUMBERS
AND LINES TO BE BLACK
ON WHITE BACKGROUND.

REV. DESC: CHANGE BACKGROUND COLOR FROM GOLD TO WHITE		
REV. LTR: B	VERSION: 02	TDR: 000000788708
FILE: \RGG\00000\203	REVISED: 08:09:29 03/04/2013	
MTL: -	BY: RGGWT	

BALDOR

EXTERNAL CONNECTION LABEL

SH 1 of 1

422927-001

Marketing maintained PDF of MN406:

<http://www.baldor.com/support/Literature/Load.ashx/MN406?ManNumber=MN406>