

BALDOR® • **RELIANCE**

Product Information Packet

IDFRPM21254C

25 HP 1750 TEFC FL2173C (250TC)

Part Detail							
Revision:	-	Status:	PRD/A	Change #:		Proprietary:	No
Type:	AC	Prod. Type:		Elec. Spec:	L3213A	CD Diagram:	422927-001
Enclosure:	TEFC	Mfg Plant:		Mech. Spec:		Layout:	617525-023
Frame:	FL2173CZ	Mounting:	F3	Poles:	04	Created Date:	04-10-2015
Base:		Rotation:	R	Insulation:	H	Eff. Date:	04-13-2015
Leads:						Replaced By:	
Literature:		Elec. Diagram:					

Parts List		
Part Number	Description	Quantity
WS286742	WS P21T0286	1.000 EA
RA282950	RA P21T0286	1.000 EA
000613006NN	RPM AC WITH CERTIFIED LOGOS	1.000 EA
000692000FP	NP, WARNING LIFT INSTRUCTIONS	1.000 EA
036170004EA	ROUND HEAD DRIVE SCREW	4.000 EA
418018079A	LABEL	1.000 EA
418018122A	LABEL	2.000 EA
422927001	C/D LABEL	1.000 EA
036100080KA	M10-1.50X 80MM HXSOCHDCS	3.000 EA
036500010AB	METRIC NUT M10-1.5PLTD400	4.000 EA
036500010AB	METRIC NUT M10-1.5PLTD400	4.000 EA
036610010AB	MHSLW M10 PLATED	4.000 EA
400638001AB	WASHER SPRING - 210	1.000 EA
418057491A	LIFTING LUG	2.000 EA
602018077A	DRAIN	1.000 EA
602018077A	DRAIN	1.000 EA
609830005ACH	STUD FRAME .375X13 LG	4.000 EA
807581003BAA	BRKT,FL210,DE 807581-1WCB	1.000 EA
807581004AAB	BRKT,FL210,DE 807581-2WCB	1.000 EA
032018004AK	HHCS 1/4-20X1/2 PLATED	2.000 EA
034180010DA	KEY 1/4X1/4X1-1/4L	1.000 EA
036000020HB	HHCS M6-1.0X20MM PLATED	4.000 EA
036321020HB	HEXSOCKET FLAT SCREW M	3.000 EA
036620008AB	M6 METRIC EXT LOCKWASHER	1.000 EA

Parts List (continued)		
Part Number	Description	Quantity
065564000B	GASK 250-280	1.000 EA
075452000B	C/BOX, PAINTED 210-250	1.000 EA
075453000A	CBOXC, PAINTED 250-280	1.000 EA
078547001P	FAN 210	1.000 EA
406673002AE	2" CAP PLUG	1.000 EA
406673002C	.75 CAP PLUG	1.000 EA
415000103A	T/LUG #14AWG-#4AWG W/HOLE FOR .250 BOLT	1.000 EA
415072001B	CLAMP	1.000 EA
417733004T	GASKET CONDUIT BOX	2.000 EA
418018074A	GROUND LABEL G100 METRIC 160 D.C.	1.000 EA
418057373A	SCREW SHEET METAL	7.000 EA
708533003A	PLATE, BTM FAN/BLOWER	2.000 EA
708533050A	COVER, FAN	1.000 EA
708533051A	GRILL, FAN COVER	1.000 EA
000640000P	TAG WINDING THERMOST	1.000 EA
004824007K	SPECIAL PAINT	0.100 EA
034180022FA	KEY 3/8X3/8X2-3/4 L	1.000 EA

REL. S.O. -
 FRAME FL2173
 HP 25
 BASE SPEED 1780
 PHASE/HERTZ 3/60

VOLTS 460
 AMPS 34
 DUTY 1.0
 S.F. 1.0
 AMB °C/INSUL 40/H

ENCLOSURE TEFC
 MAX SAFE RPM 5000
 IM (AMPS) 19
 P.F.@NL/FL .060/.765
 WK² (LB-FT²) 2.64

WYE CONN EQ CKT OHMS PER PHASE (AT BASE RATING, 25 °C)
 R1 .115 X1 .562
 R2 .0844 X2 .861
 XM 1.3.8

RATED FULL LOAD DATA

	RPM	HP	TORQUE LB-FT	FUND VOLTS	FREQ-HZ	AMPS
BASE SPEED	1778	25.0	74	460	60	33.8
MAX SPEED	3553	25.0	37	460	120	29.8
MIN SPEED	0	0	74	11.0	.731	33.8

LOAD PERFORMANCE AT BASE SPEED

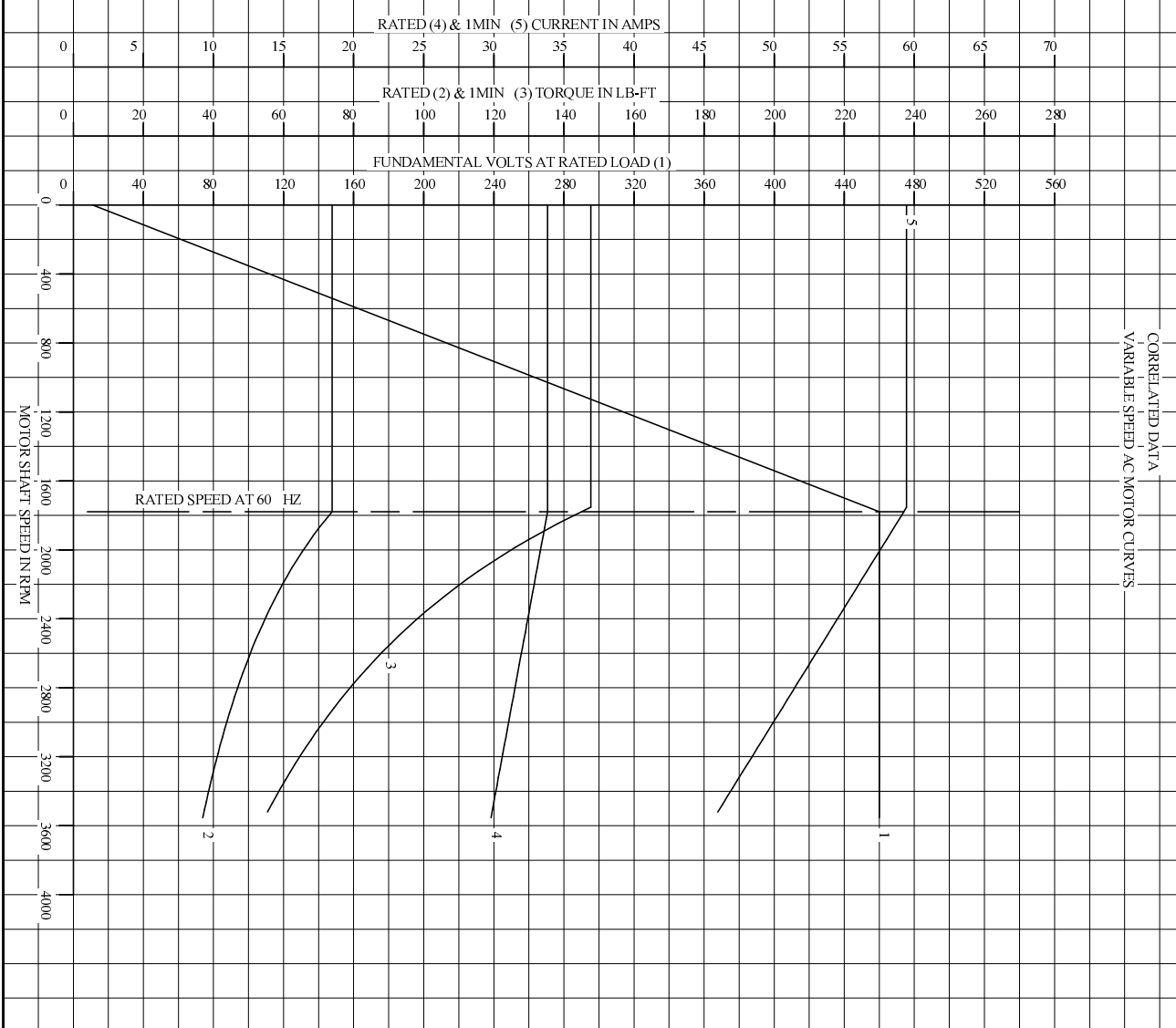
	RPM	HP	TORQUE LB-FT	FUND VOLTS	FREQ-HZ	AMPS
NO LOAD	1800	0	0	460	60	18.7
1/4	1795	6.26	18	460	60	20.5
1/2	1789	12.5	37	460	60	23.8
3/4	1784	18.8	55	460	60	28.4
FULL LOAD	1778	25.0	74	460	60	33.8
O/L	1753	49.3	148	460	60	59.4

BLOWER DATA	VOLTS	PH/HZ	FL AMPS	LR AMPS	FRAME	CFM

REMARKS: TYPICAL DATA
 CORRELATED DATA

	DR. BY B. GRANT	A-C MOTOR PERFORMANCE DATA
	CK. BY T. CUER APP. BY 3-1-06 DATE 3-1-06	

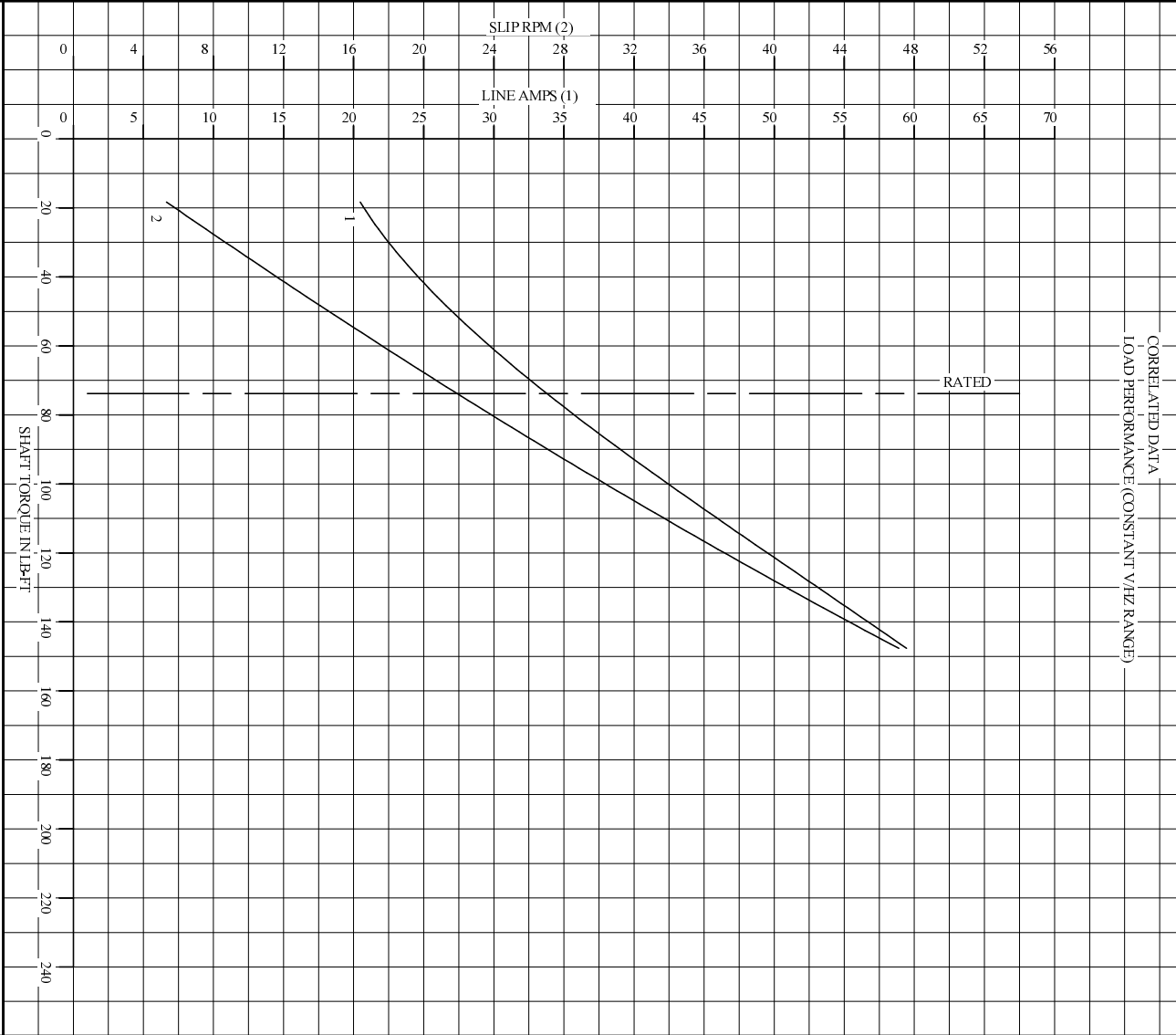
REL. S.O.	-	VOLTS	460	ENCLOSURE	TEFC	WYE CONN EQ CRT OHMS PER PHASE
FRAME	FL2173	AMPS	34	MAX SAFE RPM	5000	(AT BASE RATING, 25°C)
HP	25	DUTY	CONT	IM (AMPS)	19	R1 .115
BASE SPEED	1780	S.F.	1.0	P.F.@NL/FL	.060/.765	R2 .0844
PHASE/HERTZ	3/60	AMB C/INSUL	40/H	WK ² (LB-FT ²)	2.64	R1 .562
						R2 .861
						XN 13.8



REMARKS: TYPICAL DATA
DATA VALID FOR NAMEPLATE SPEED RANGE ONLY

BALDOR	DR. BY	B. GRANT	A-C MOTOR	L3213A
	CK. BY	B. GRANT		
BALDOR • DODGE • RELIANCE	APP. BY	T. CURR	PERFORMANCE	SH 1 OF 2
	DATE	3-1-06		
			CURVES	ISSUE DATE
				3-1-06

REL. S.O.	-	VOLTS	460	ENCLOSURE	TEFC	WYE CONN EQ CKT OHMS PER PHASE
FRAME	FL2173	AMPS	34	MAX SAFE RPM	5000	(AT BASE RATING, 25°C)
HP	25	DUTY	CONT	IM (AMPS)	19	R1 .115
BASE SPEED	1780	S.F.	1.0	P.F.@NL/FL	.060/.765	R2 .0844
PHASE/HERTZ	3/60	AMB C/INSUL	40/H	WK ² (LB-FT ²)	2.64	X1 .562
						R2 .0844
						X2 .861
						XN 13.8



REMARKS: TYPICAL DATA
DATA VALID FOR NAMEPLATE SPEED RANGE ONLY

BALDOR
BALDOR • DOUGLASS • RELIANCE

DR. BY B. GRANT
CK. BY B. GRANT
APP. BY T. CURR
DATE 3-1-06

A-C MOTOR
PERFORMANCE
CURVES

L3213A
SH20F2
ISSUE DATE 3-1-06

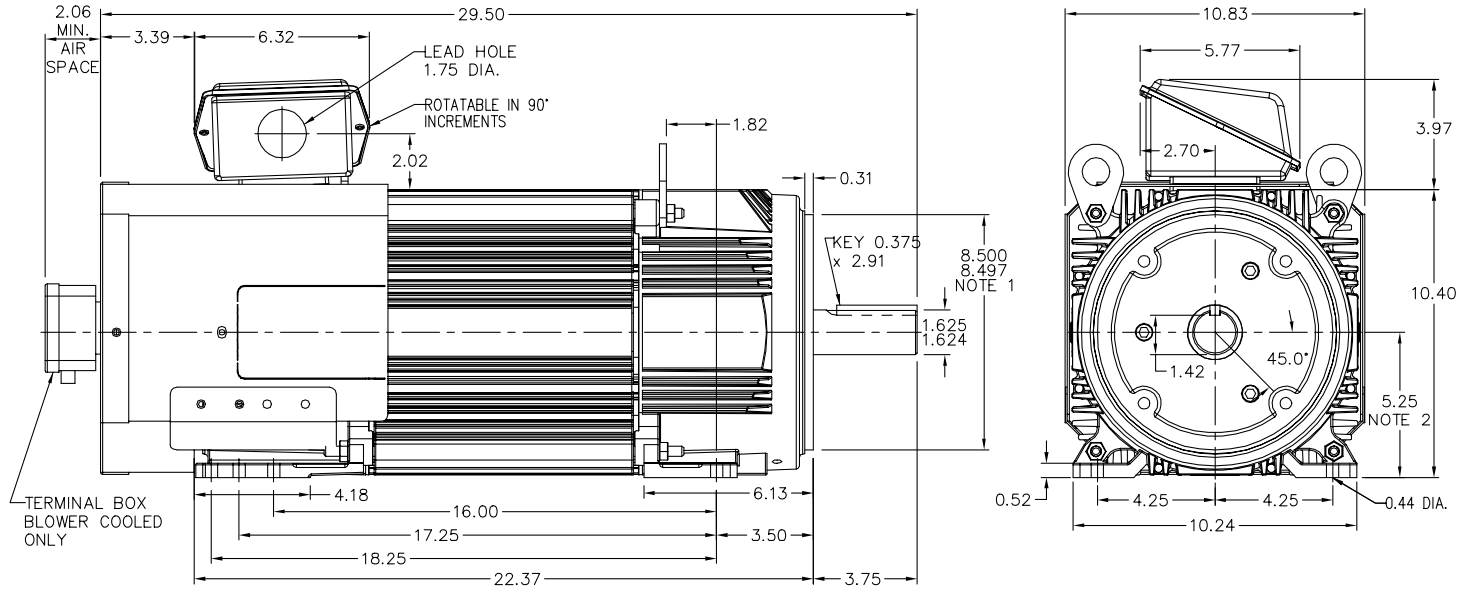
617525-023

RPM-AC FINNED FRAME VARIABLE SPEED ALTERNATING CURRENT MOTOR
FL2173CZ

ENCLOSURE: TOTALLY ENCLOSED
MOUNTING: FOOT / NEMA 250TC C-FACE
DRIVE METHOD: COUPLED OR BELTED

COOLING: BLOWER COOLED or
FAN COOLED

ACCESSORIES: PROVISIONS FOR
TACHOMETER MOUNTING
ONLY WHEN SPECIFIED



NOTE 1: C-FACE & TACHOMETER MOUNTING
1/2-13 TAP, 1.00 DEEP, ON A 7.25 DIA. BOLT CIRCLE
FACE RUNOUT AND ECCENTRICITY 0.004 MAX. T.I.R.

NOTE 2: SHAFT HEIGHT WILL NOT BE EXCEEDED
SHIMS UP TO 0.03 INCHES IN THICKNESS ARE USUALLY
REQUIRED FOR COUPLED OR GREARED MACHINES

TERMINAL BOX MAY BE LOCATED F1 OR F2 IF SPECIFIED
61 AMP STEEL TERMINAL BOX SHOWN
REFER TO 616779-50 FOR SPECIFIED TERMINAL BOX DIMENSIONS
REFER TO 616779-55 FOR SPECIFIED TACHOMETER DIMENSIONS

MOTOR WEIGHT: 355 LBS. (MAY VARY 15%)
DIMENSIONS ARE IN INCHES SCALE: 1.00

617525-023

CUSTOMER IS RESPONSIBLE FOR DETERMINING THAT BALDOR'S PRODUCT WILL PERFORM SUITABLY IN THE INTENDED APPLICATION.

REV. DESC: ADDED C-FACE DEPTH DIMENSION	VERSION: 01	TDR: 000000493632
REV. LTR: A	REVISED: 13:56:08 03/13/2009	BY: CONDLM
FILE: \RGG\00003\328		
MTL: -		

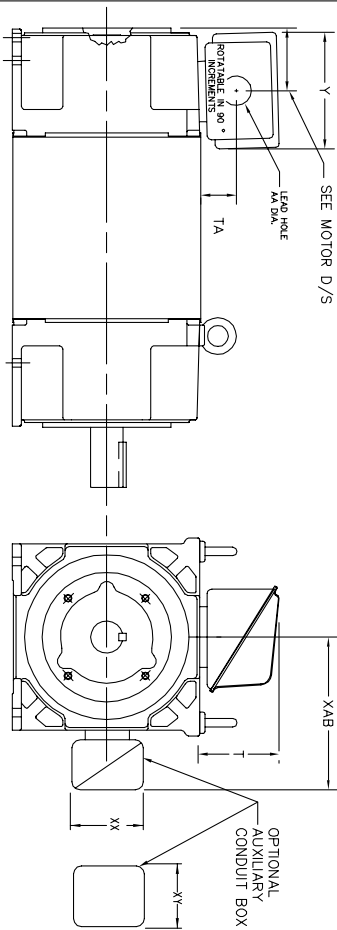
BALDOR • DODGE • RELIANCE
DIM SHT FL2173CZ RPM AC TEFC/FC FT/NEMA 250TC C FACE MTG
SH 1 of 1

616779-050

INDUSTRIAL ALTERNATING CURRENT MOTORS

RPM AC

STEEL, CAST IRON, MILL AND TERMINAL BOARD CONDUIT BOX DIMENSIONS
 NEMA FRAMES FL210 thru RL280 and IEC FRAMES RDL132 thru RDL180
 NEMA FRAMES FL180 thru FL280 and IEC FRAMES FDL112 thru FDL180



TERMINAL BOX	Y	TA	T	AA	MAX AMP'S	REMARKS
706310-63B	14.39	7.43	12.15	--	400	TERMINAL STRIP
706310-226R	9.00	3.06	5.40	Pg36 & Pq16	160	TERMINAL STRIP
706310-225R	7.25	2.30	4.40	Pg29 & Pq16	100	TERMINAL STRIP
706310-56B	9.00	3.06	5.40	Pg36 & Pq16	160	TERMINAL STRIP
706310-56A	7.75	2.30	4.40	Pg29 & Pq16	100	TERMINAL STRIP
706320-14D	15.00	7.56	12.81	5	510	CAST IRON
706320-13A	10.50	4.88	9.00	4.0 TAP	210	CAST IRON
706320-12B	9.25	4.81	8.56	3	140	CAST IRON
75460-62B	7.25	2.50	5.25	1.5 TAP	110	CAST IRON
706320-4C	5.75	2.38	4.38	1.0 TAP	60	CAST IRON FL180 ONLY
706310-3E	16.00	4.40	7.81	3	590	MILL
706310-3X	8.00	2.38	5.00	--	160	MILL
702658-1G	14.62	7.56	12.70	5	500	STEEL
706320-16A	9.00	4.12	8.44	4.59	305	STEEL
706320-9A	7.25	3.50	7.06	2.50	160	STEEL
75454-1AJ	7.69	2.38	5.25	1.94	121	STEEL
75452-B	6.34	2.00	4.12	1.75	61	STEEL
75452-G	6.34	2.00	4.12	--	61	SPECIAL
706320-5A	6.12	2.38	4.38	1.75/2.00	75	STEEL FL180 ONLY
706320-3A	5.00	1.62	3.00	1.12	40	STEEL FL180 ONLY
706320-7A	7.62	2.00	7.00	2.5/3.0	208	STEEL FL180 ONLY

FRAME SIZE	XAB	OPTIMAL AUXILIARY CONDUIT BOX DIMENSIONS (MAXIMUM)				PART NUMBER			
		XX	XY	XZ	YV				
FL210/FL132/RL210/ML132	7.38	4.25	4.25	6.0200-26-A	FL210/FL132/RL210/ML132	10.88	8.00	8.00	706310-3-B
FL220/FL180/RL220/ML180	8.44	4.23	4.23	6.0200-26-A	FL220/FL180/RL220/ML180	11.88	8.00	8.00	706310-3-B
FL280/FL180/RL280/ML180	9.12	4.23	4.23	6.0200-26-A	FL280/FL180/RL280/ML180	12.62	8.00	8.00	706310-3-B

CUSTOMER IS RESPONSIBLE FOR DETERMINING THAT BALDOR'S PRODUCT WILL PERFORM SUITABLY IN THE INTENDED APPLICATION.

REV. DESC: BOX # 706320-9A, CHANGE AA DIM FROM 2 TO 2.50	TDR: 000000785386
REV. LTR: C	VERSION: 03
FILE: \RGG\00003\692	REVISED: 08:40:55 02/11/2013
MTL: -	BY: RGGWT

BALDOR

DIM SHT NEMA RL210-RL280 FL180-FL280 IEC RDL132-RDL180

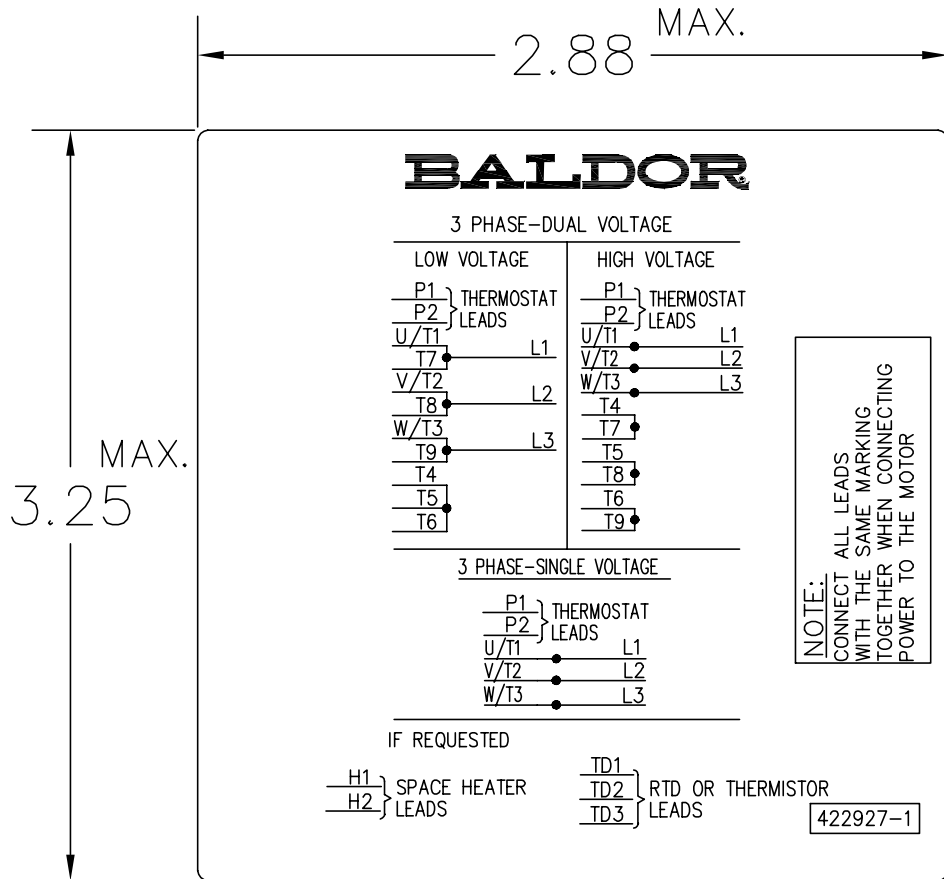
SH 1 of 1

- (1) 'AA' CONDUIT.
- (2) 'AA' PIPE TAP.
- (3) CUSTOMER TO PROVIDE HOLE FOR CONDUIT.
- (4) Z DN -5A or 1 TAP DN -4C

TERMINAL BOX CAN BE ROTATED FOR LEAD OUTLET AT TOP, SIDES OR BOTTOM.
 TERMINAL BOX LOCATED ON OPPOSITE SIDE WHEN F-2, W-1, W-4, W-5, W-7,
 OR C-1 MOUNTING IS SPECIFIED. BOX LOCATED ON TOP WHEN SPECIFIED.

050-60-671919

422927-001



NOTE:
DATA TO BE SIZED
SO THAT IT FITS INTO
MATERIAL DECAL
DIMENSIONS. MAKE
LETTERS & NUMBERS
AS LARGE AS POSSIBLE.

MATERIAL: CERAMATIC DGF-P4
PERMA GRIP ADHESIVE

ALL LETTERS, NUMBERS
AND LINES TO BE BLACK
ON WHITE BACKGROUND.

422927-001

REV. DESC: CHANGE BACKGROUND COLOR FROM GOLD TO WHITE		
REV. LTR: B	VERSION: 02	TDR: 000000788708
FILE: \RGG\00000\203	REVISED: 08:09:29 03/04/2013	
MTL: -	BY: RGGWT	

BALDOR

EXTERNAL CONNECTION LABEL

SH 1 of 1

Marketing maintained PDF of MN406:

<http://www.baldor.com/support/Literature/Load.ashx/MN406?ManNumber=MN406>