

BALDOR® • *RELIANCE*

Product Information Packet

JMEWDM3546T

1HP,1745RPM,3PH,60HZ,143JM,3524M,TENV,F1

Part Detail							
Revision:	E	Status:	PRD/A	Change #:		Proprietary:	No
Type:	AC	Prod. Type:	3524M	Elec. Spec:	35WGP560	CD Diagram:	CD0005
Enclosure:	TENV	Mfg Plant:		Mech. Spec:	35Z956	Layout:	35LYZ956
Frame:	143JM	Mounting:	F1	Poles:	04	Created Date:	12-04-2014
Base:	RG	Rotation:	R	Insulation:	F	Eff. Date:	10-17-2016
Leads:	9#18					Replaced By:	
Literature:		Elec. Diagram:					

Nameplate NP1669L										
CAT.NO.	JMEWDM3546T									
SPEC.	35Z956P560G1									
HP	1									
VOLTS	230/460									
AMP	2.9/1.45									
RPM	1745									
FRAME	143JM				HZ	60			PH	3
SER.F.	1.15		CODE	M	DES	B		CLASS	F	
NEMA-NOM-EFF	85.5		PF	76						
RATING	40C AMB-CONT									
CC	010A				USABLE AT 208V			3		
DE	6206				ODE	6203				
ENCL	TENV			SN						
BLANK										

Parts List		
Part Number	Description	Quantity
SA290723	SA 35Z956P560G1	1.000 EA
RA276879	RA 35Z956P560G1	1.000 EA
NS2512A01	INSULATOR, CONDUIT BOX X	1.000 EA
35CB3010A01W	35 CB .75 NPT @ 6:00, WHITE EPOXY	1.000 EA
35GS1039	05 MOLDED GASKET W/LIP, 1.12 LEAD HOLE,	1.000 EA
51XB1016A08	10-16X 1/2HXWSSLD SERTYB	2.000 EA
HA5027A01	HA4066A01 T-DRAIN X2 BAGGED	1.000 EA
11XW1032G06	10-32 X .38, TAPTITE II, HEX WSHR SLTD U	1.000 EA
35EP3100A95MWSP	SPL FR ENDPLATE -TENV- SP.#9 (WHITE EPOX	1.000 EA
HW4032A01	BLACK DRAIN PLUG FOR WASH DOWN MOTORS	3.000 EA
HW5100A03SP	WAVY WASHER (W1543-017)	1.000 EA
35EP3401T07MW	PU EP FOR SEAL W/"O" DRILLS & NO GRS, W/	1.000 EA
HW4600B50SP	SEAL 1.156 X 1.874 X 0.250 SINGLE LIP DB	1.000 EA
HW4032A01	BLACK DRAIN PLUG FOR WASH DOWN MOTORS	3.000 EA
10XN1032S16	10-32X1 HEX HEAD S STEEL	2.000 EA
35CB4522	35 LIPPED CB LID PRIMED	1.000 EA
35GS1030A02	35 GS FOR CB LID - WHITE NEOPRENE	1.000 EA
59XW0832S07	TAPTITE II,HEX WSHR UNSLTD SER,410 S.S.,	4.000 EA
HW4600B36SP	V-RING SLINGER 1.188 X 1.690 X .24 VITON	1.000 EA
HW2502D13	SS KEY, 3/16 SQ X 1.375	1.000 EA
HA7000A01	KEY RETAINER 7/8" DIA SHAFT	1.000 EA
MJ5001A27	32220KN GRAY SEALER *MIN BUY 4 QTS=1GAL	0.001 QT
85XU0407S04	4X1/4 U DRIVE PIN STAINLESS	2.000 EA
LB1164	LABEL,WARNING AND DRAIN	1.000 EA

Parts List (continued)		
Part Number	Description	Quantity
MJ1000A02	GREASE, POLYREX EM EXXON (USe 4824-15A)	0.050 LB
MG1025Z02	ACTIVATOR WILKOFAS 060.02HF	0.010 GA
MG1025W01	WILKOFAS, 781.01, SIGNAL WHITE #9003	0.017 GA
HA3100S07	THRUBOLT 10-32 X 8.375 SS	4.000 EA
LC0005	CONN.DIA.,TY M,9-LD,DUAL VOLT,REVERSING	1.000 EA
NP1669L	SS WD SUPER-E UL CSA-EEV PREM REV MTG	1.000 EA
36PA1000	PKG GRP, PRINT PK1016A06	1.000 EA
MN416A01	TAG-INSTAL-MAINT no wire (1200/bx) 11/14	1.000 EA

AC Induction Motor Performance Data

Record # 52507 - Typical performance - not guaranteed values

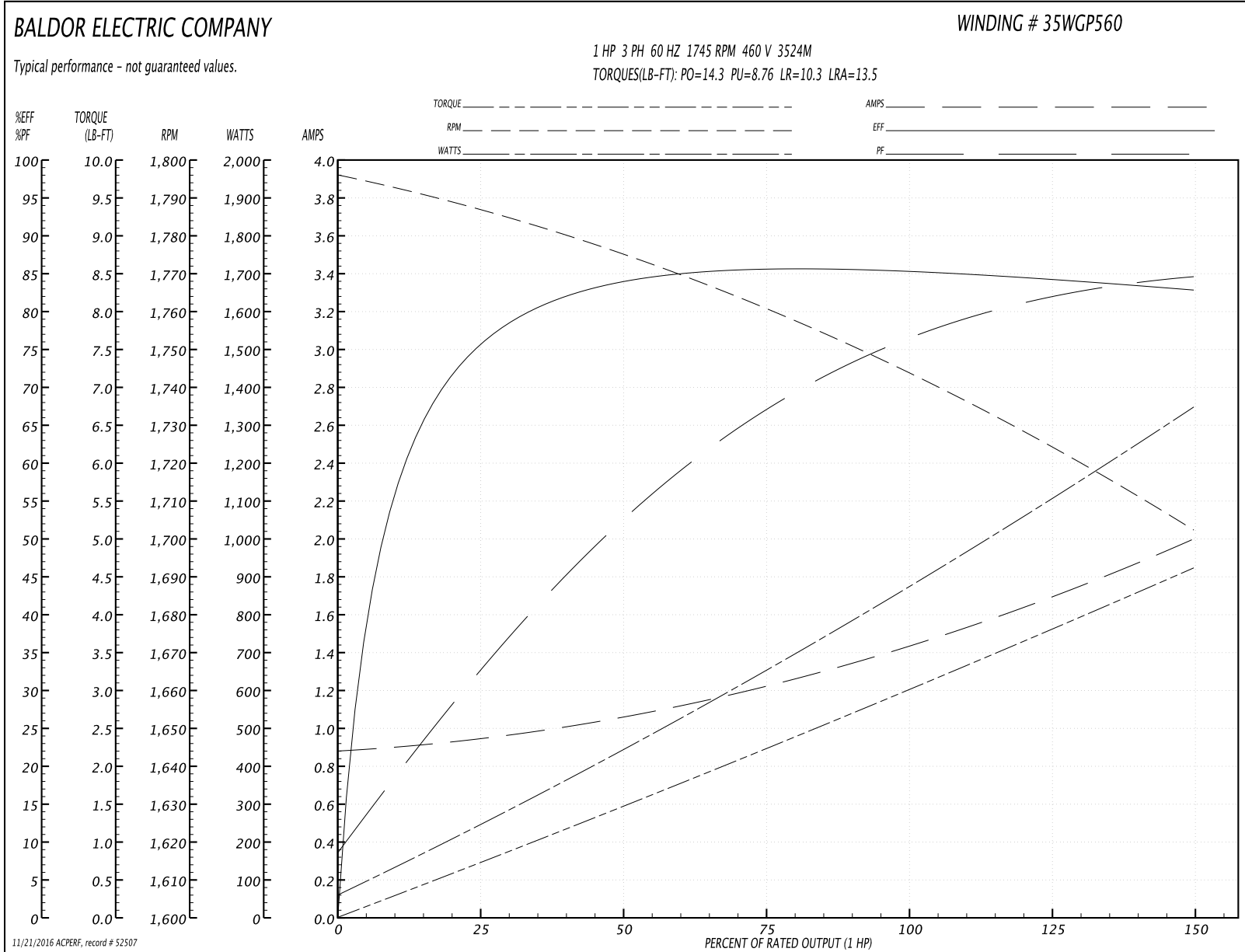
Winding: 35WGP560-R020	Type: 3524M	Enclosure: TENV
-------------------------------	--------------------	------------------------

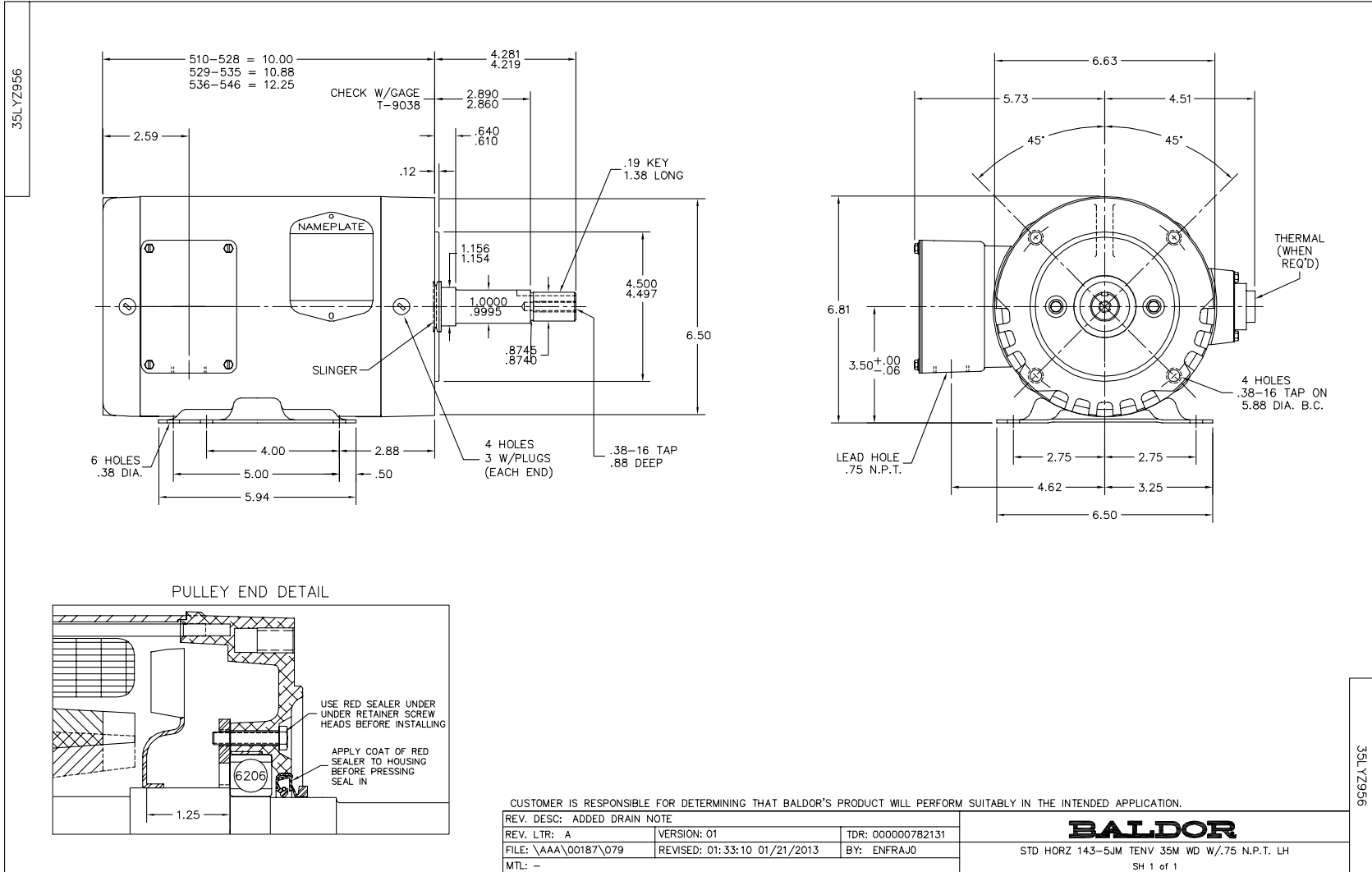
Nameplate Data				460 V, 60 Hz: High Voltage Connection	
Rated Output (HP)	1			Full Load Torque	3.03 LB-FT
Volts	230/460			Start Configuration	direct on line
Full Load Amps	2.9/1.45			Breakdown Torque	14.3 LB-FT
R.P.M.	1745			Pull-up Torque	8.76 LB-FT
Hz	60	Phase	3	Locked-rotor Torque	10.3 LB-FT
NEMA Design Code	B	KVA Code	M	Starting Current	13.5 A
Service Factor (S.F.)	1.15			No-load Current	0.89 A
NEMA Nom. Eff.	85.5	Power Factor	76	Line-line Res. @ 25°C	15.922 Ω
Rating - Duty	40C AMB-CONT			Temp. Rise @ Rated Load	61°C
S.F. Amps				Temp. Rise @ S.F. Load	73°C
				Locked-rotor Power Factor	61
				Rotor inertia	0.142 LB-FT ²

Load Characteristics 460 V, 60 Hz, 1 HP

% of Rated Load	25	50	75	100	125	150	S.F.
Power Factor	33	53	67	76	81	85	79
Efficiency	74.6	83.4	85.4	85.5	84.7	82.6	85
Speed	1783.9	1773.9	1759.9	1743.9	1730.8	1698.3	1736
Line amperes	0.935	1.05	1.22	1.45	1.7	1.99	1.6

Performance Graph at 460V, 60Hz, 1.0HP Typical performance - Not guaranteed values





CD0005

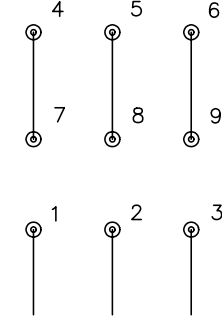


LOW VOLTAGE (2Y)



LINE

HIGH VOLTAGE (1Y)



LINE

NOTES:

1. INTERCHANGE ANY TWO LINE LEADS TO REVERSE ROTATION.
2. OPTIONAL THERMOSTATS ARE PROVIDED WHEN SPECIFIED.
3. ACTUAL NUMBER OF INTERNAL PARALLEL CIRCUITS MAY BE A MULTIPLE OF THOSE SHOWN ABOVE.
4. LEAD COLORS ARE OPTIONAL. LEADS MUST ALWAYS BE NUMBERED AS SHOWN.

REV. DESC: REVISE TO SHOW OPTIONAL COLORS			
REV. LTR: E	BY: JLP	REVISED: 01/19/99 10:15	TDR: 0171435
90000		FILE: AAA00005140	MDL: -
		MTL: -	

BALDOR ELECTRIC Co.

3PH, DV, 9 LEADS

CD0005