

BALDOR® • ***RELIANCE***

Product Information Packet

KENM3535

.33HP,1150RPM,3PH,60HZ,56C,3520M,TENV,F1

| Part Detail | | | | | | | |
|-------------|------|----------------|-------|-------------|----------|---------------|------------|
| Revision: | P | Status: | PRD/A | Change #: | | Proprietary: | No |
| Type: | AC | Prod. Type: | 3520M | Elec. Spec: | 35WGP535 | CD Diagram: | CD0005 |
| Enclosure: | TENV | Mfg Plant: | | Mech. Spec: | 35E010 | Layout: | 35LYE010 |
| Frame: | 56C | Mounting: | F1 | Poles: | 06 | Created Date: | 12-03-2007 |
| Base: | N | Rotation: | R | Insulation: | F | Eff. Date: | 09-14-2016 |
| Leads: | 9#18 | | | | | Replaced By: | |
| Literature: | | Elec. Diagram: | | | | | |

| Nameplate NP2116L | |
|-------------------|--------------------|
| CAT.NO. | KENM3535 |
| SPEC. | 35E010P535G2 |
| HP | .33 |
| VOLTS | 230/460 |
| AMP | 1.2/6 |
| RPM | 1150 |
| FRAME | 56C |
| SER.F. | 1.15 |
| NEMA-NOM-EFF | 81.5 |
| RATING | 40C AMB-CONT |
| CC | USABLE AT 208V 1.2 |
| DE | 6205 |
| ENCL | TENV |

| | | | | | | | |
|------|------|-----|----|----|---|----|---|
| CODE | K | DES | B | CL | F | PH | 3 |
| PF | 69 | HZ | 60 | | | | |
| ODE | 6203 | SN | | | | | |

| Parts List | | |
|-------------|--|----------|
| Part Number | Description | Quantity |
| SA166095 | SA 35E010P535G2 | 1.000 EA |
| RA154476 | RA 35E010P535G2 | 1.000 EA |
| NS2512A01 | INSULATOR, CONDUIT BOX X | 1.000 EA |
| 35CB3007 | 35 CB CASTING W/.88 DIA. LEAD HOLE | 1.000 EA |
| 36GS1000 | GASKET-CONDUIT BOX, .06 THICK #SV-330 LE | 1.000 EA |
| 51XB1016A07 | 10-16 X 7/16 HXWSSLD SERTYB | 2.000 EA |
| 11XW1032G06 | 10-32 X .38, TAPTITE II, HEX WSHR SLTD U | 1.000 EA |
| 35EP3100M69 | STD FR EP-TENV-35L OR M--203 BRG | 1.000 EA |
| HW5100A03SP | WAVY WASHER (W1543-017) | 1.000 EA |
| 35EP3300A33 | SPL FACE MTD EP -ENCL-205 BRG | 1.000 EA |
| 51XN1032A20 | 10-32 X 1 1/4 HX WS SL SR | 2.000 EA |
| 35CB4521GX | CONDUIT BOX LID KIT | 1.000 EA |
| 51XW0832A07 | 8-32 X .44, TAPTITE II, HEX WSHR SLTD SE | 4.000 EA |
| HA7000A04 | KEY RETAINER 0.625 DIA SHAFTS | 1.000 EA |
| 85XU0407S04 | 4X1/4 U DRIVE PIN STAINLESS | 2.000 EA |
| MJ1000A02 | GREASE, POLYREX EM EXXON (USe 4824-15A) | 0.050 LB |
| HW2501D13 | KEY, 3/16 SQ X 1.375 | 1.000 EA |
| MG1000Y03 | MUNSELL 2.53Y 6.70/ 4.60, GLOSS 20, | 0.017 GA |
| HA3100A12 | THRUBOLT 10-32 X 7.375 | 4.000 EA |
| LC0005E01 | CONN.DIA./WARNING LABEL (LC0005/LB1119N) | 1.000 EA |
| NP2116L | ALUM SUPER-E UL CSA CC | 1.000 EA |
| 35PA1066 | PKG GRP, PRINT PK1008A06 | 1.000 EA |
| PK3082 | STYROFOAM CRADLE | 1.000 EA |
| MN416A01 | TAG-INSTAL-MAINT no wire (1200/bx) 11/14 | 1.000 EA |

AC Induction Motor Performance Data

Record # 36543 - Typical performance - not guaranteed values

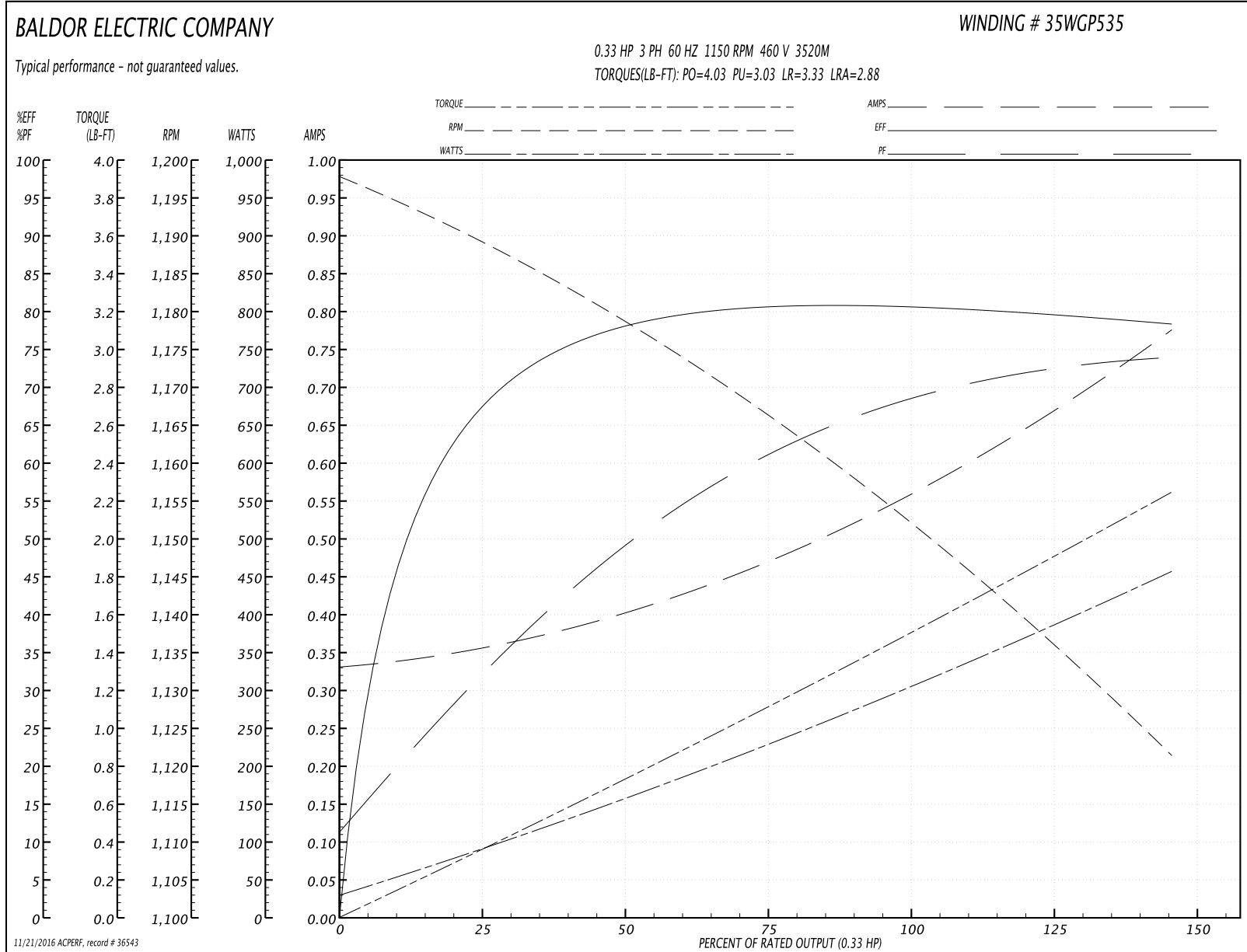
| | | |
|-------------------------------|--------------------|------------------------|
| Winding: 35WGP535-R003 | Type: 3520M | Enclosure: TENV |
|-------------------------------|--------------------|------------------------|

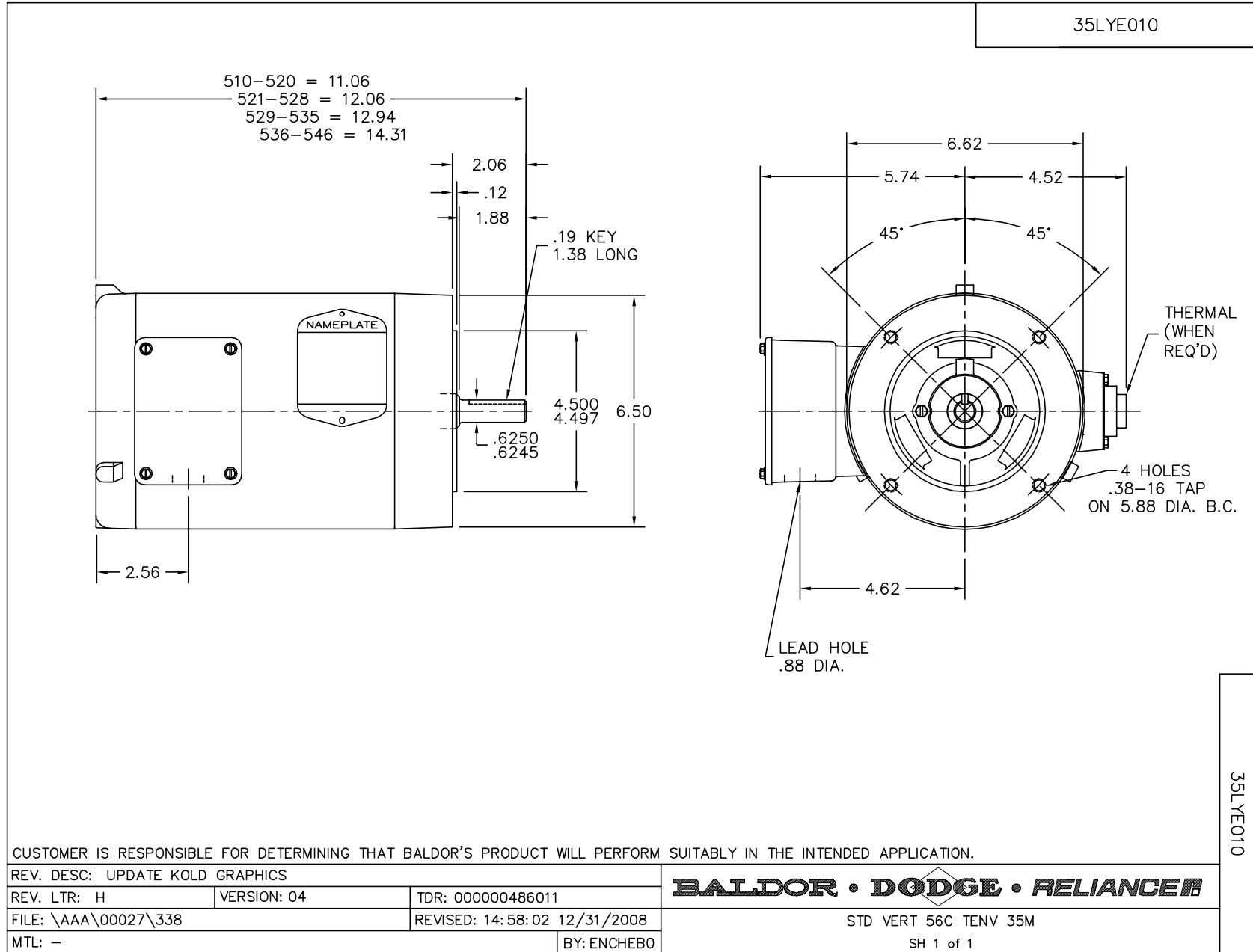
| Nameplate Data | | | | 460 V, 60 Hz: High Voltage Connection | |
|-----------------------|--------------|--------------|----|--|--------------------------|
| Rated Output (HP) | .33 | | | Full Load Torque | 1.49 LB-FT |
| Volts | 230/460 | | | Start Configuration | direct on line |
| Full Load Amps | 1.2/6 | | | Breakdown Torque | 4.03 LB-FT |
| R.P.M. | 1150 | | | Pull-up Torque | 3.03 LB-FT |
| Hz | 60 | Phase | 3 | Locked-rotor Torque | 3.33 LB-FT |
| NEMA Design Code | B | KVA Code | K | Starting Current | 2.88 A |
| Service Factor (S.F.) | 1.15 | | | No-load Current | 0.329 A |
| NEMA Nom. Eff. | 81.5 | Power Factor | 69 | Line-line Res. @ 25°C | 56 Ω |
| Rating - Duty | 40C AMB-CONT | | | Temp. Rise @ Rated Load | |
| | | | | Locked-rotor Power Factor | 44 |
| | | | | Rotor inertia | 0.119 LB-FT ² |

Load Characteristics 460 V, 60 Hz, 0.33 HP

| % of Rated Load | 25 | 50 | 75 | 100 | 125 | 150 | S.F. |
|-----------------|-------|-------|-------|-------|-------|-------|-------|
| Power Factor | 33 | 50 | 61 | 69 | 72 | 74 | 71 |
| Efficiency | 66.9 | 77.7 | 80.7 | 80.8 | 80.2 | 78.1 | 80.4 |
| Speed | 1189 | 1178 | 1166 | 1153 | 1138 | 1121 | 1144 |
| Line amperes | 0.361 | 0.401 | 0.474 | 0.551 | 0.661 | 0.776 | 0.617 |

Performance Graph at 460V, 60Hz, 0.33HP Typical performance - Not guaranteed values

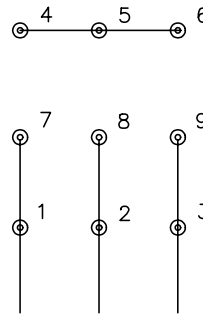




CD0005

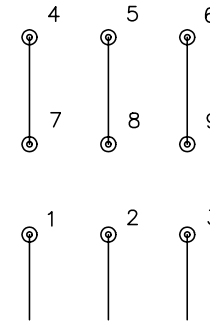


LOW VOLTAGE
(2Y)



LINE

HIGH VOLTAGE
(1Y)



LINE

NOTES:

1. INTERCHANGE ANY TWO LINE LEADS TO REVERSE ROTATION.
2. OPTIONAL THERMOSTATS ARE PROVIDED WHEN SPECIFIED.
3. ACTUAL NUMBER OF INTERNAL PARALLEL CIRCUITS MAY BE A MULTIPLE OF THOSE SHOWN ABOVE.
4. LEAD COLORS ARE OPTIONAL. LEADS MUST ALWAYS BE NUMBERED AS SHOWN.

REV. DESC: REVISE TO SHOW OPTIONAL COLORS

REV. LTR: E BY: JLP

REVISED: 01/19/99 10:15

TDR: 0171435

9000D

FILE: AAA00005140

MDL: -

MTL: -

BALDOR ELECTRIC Co.

3PH, DV, 9 LEADS

CD0005