

BALDOR® • ***RELIANCE***

Product Information Packet

L1309-50

1HP,2850RPM,1PH,50HZ,56,3432L,OPEN,F1

Part Detail							
Revision:	AA	Status:	PRD/A	Change #:		Proprietary:	No
Type:	AC	Prod. Type:	3432L	Elec. Spec:	34WGW655	CD Diagram:	CD0001
Enclosure:	OPEN	Mfg Plant:		Mech. Spec:	34F017	Layout:	34LYF017
Frame:	56	Mounting:	F1	Poles:	02	Created Date:	
Base:	RG	Rotation:	R	Insulation:	B	Eff. Date:	05-24-2016
Leads:	4#16 A PH,2#18 B PH					Replaced By:	
Literature:		Elec. Diagram:					

Nameplate NP1372L										
CAT.NO.	L1309-50									
SPEC.	34F17W655									
HP	1									
VOLTS	110/220									
AMP	12/6									
RPM	2850 IP23									
FRAME	56				HZ	50			PH	1
SER.F.	1.25		CODE	H	DES	N		CL	B	
NEMA-NOM-EFF	66		PF	83						
RATING	40C AMB-CONT									
CC									USABLE AT 208V	
DE	6203				ODE	6203				
ENCL	OPEN		SN							
	SFA 14.6/7.3									

Parts List		
Part Number	Description	Quantity
SA010015	SA 34F17W655	1.000 EA
RA006460	RA 34F17W655	1.000 EA
NS2512A01	INSULATOR, CONDUIT BOX X	1.000 EA
34CB3002A	CB CAST W/.88 DIA HOLE	1.000 EA
51XB1016A07	10-16 X 7/16 HXWSSLD SERTYB	2.000 EA
11XW1032G06	10-32 X .38, TAPTITE II, HEX WSHR SLTD U	1.000 EA
34EP3210A01SP	FR ENDPLATE, MACH	1.000 EA
51XW0832A07	8-32 X .44, TAPTITE II, HEX WSHR SLTD SE	2.000 EA
SP1006A01	TERM. BOARD, MODE 35 SW X H-23655	1.000 EA
NS2501A01	INSULATOR, CAPACITOR	1.000 EA
51XB1016A05	10-16X5/16HX WA SL SR TYB (F/S)	2.000 EA
WD1000A16	2-520128-2 AMP FLAG TERMINAL(4M/RL)	1.000 EA
HW5100A03SP	WAVY WASHER (W1543-017)	1.000 EA
34EP3212A02	PU ENDPLATE, MODEL 34 OPEN	1.000 EA
XY1032A02	10-32 HEX NUT DIRECTIONAL SERRATION	4.000 EA
34CB4517	CB LID 4 MTG HOLES .22 DIA STAMPED, FOR	1.000 EA
51XW0832A07	8-32 X .44, TAPTITE II, HEX WSHR SLTD SE	4.000 EA
HW2501D13	KEY, 3/16 SQ X 1.375	1.000 EA
HA7000A04	KEY RETAINER 0.625 DIA SHAFTS	1.000 EA
MG1000G27	MED CHARCOAL METALLIC GREY 400-0096	0.014 GA
10XF0440S02	04-40 X 1/8 TYPE F HEX HD STAINLESS STIC	2.000 EA
EC1645A06SP	ELEC CAP, 645-774 MFD, 125V, 2.06D X 4.	1.000 EA
SP5056A24	34 TYPE L STATIONARY SWITCH W/ LEADS	1.000 EA
33CB4800A02	CAPACITOR COVER, STAMPED	1.000 EA

Parts List (continued)		
Part Number	Description	Quantity
HA3100A38	THRUBOLT 10-32 X 9.375	4.000 EA
LC0001A01	CONN LABEL / WARNING LABEL (LC0001 / LB1	1.000 EA
MN416A01	TAG-INSTAL-MAINT no wire (1200/bx) 11/14	1.000 EA
NP1372L	ALUM UL CSA CE CC	1.000 EA
35PA1000	PKG GRP, PRINT PK1008A06	1.000 EA

AC Induction Motor Performance Data
Record # 7052 - Typical performance - not guaranteed values

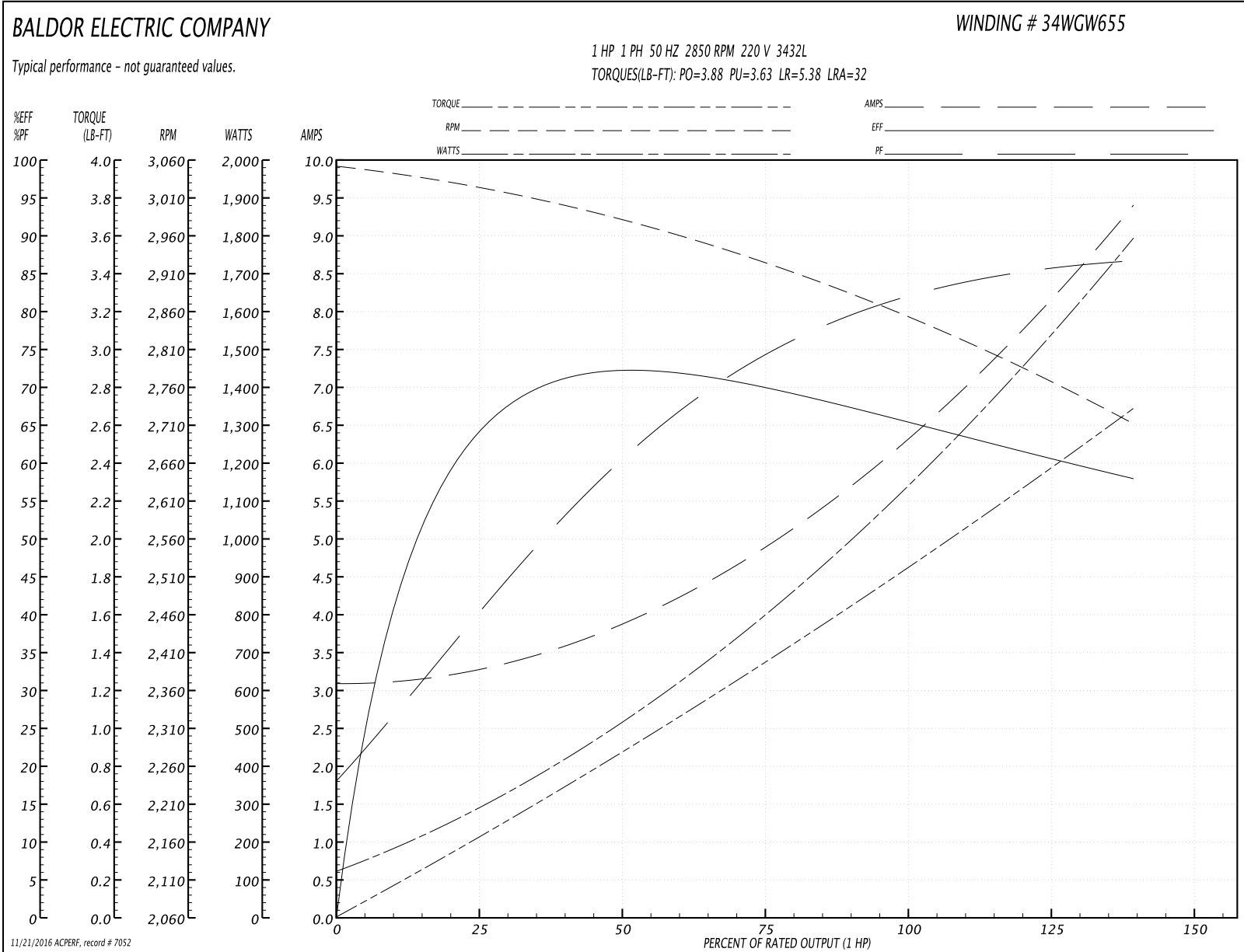
Winding: 34WGW655-R001	Type: 3432L	Enclosure: OPEN
-------------------------------	--------------------	------------------------

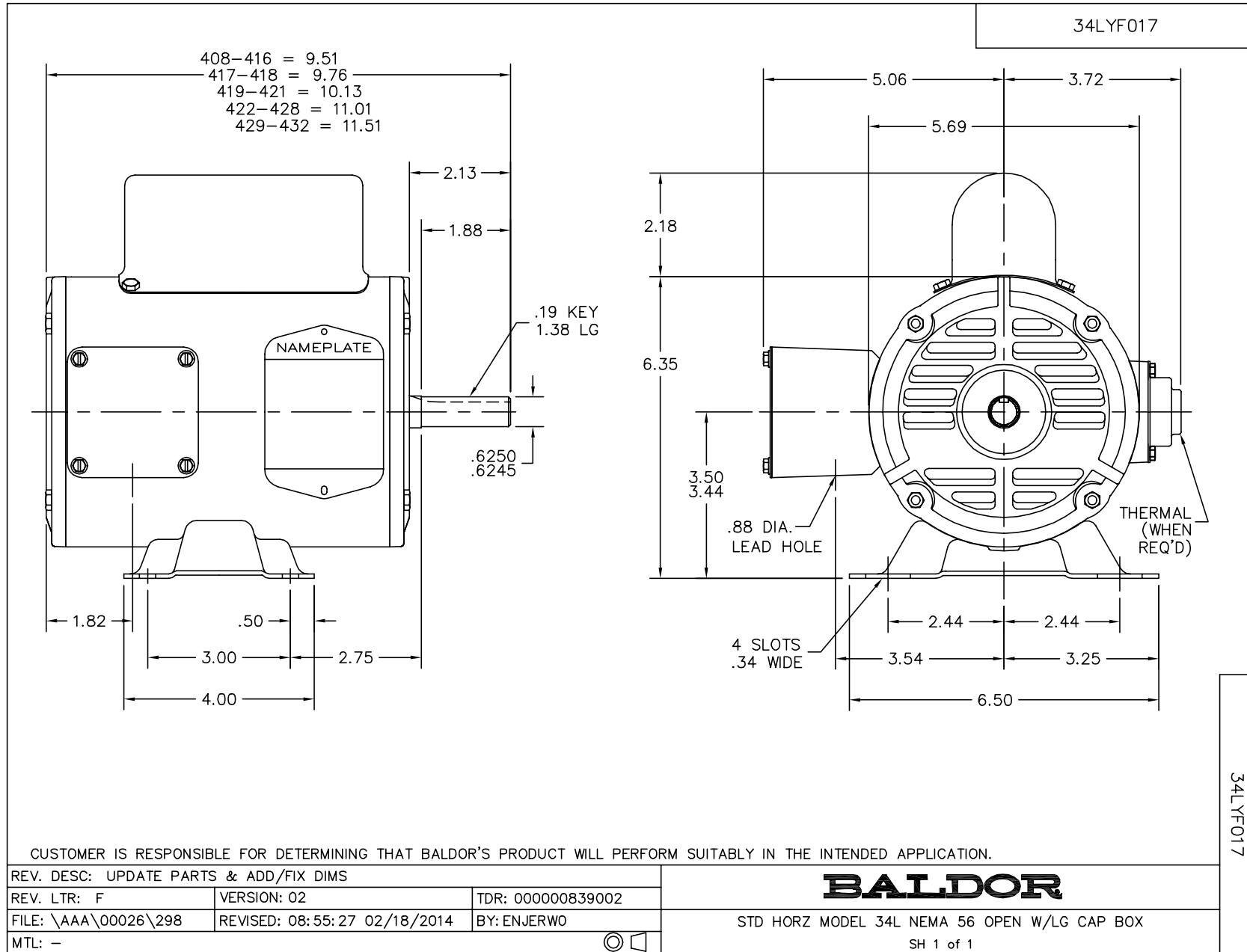
Nameplate Data				220 V, 50 Hz: High Voltage Connection	
Rated Output (HP)	1			Full Load Torque	1.8 LB-FT
Volts	110/220			Start Configuration	direct on line
Full Load Amps	12/6			Breakdown Torque	3.88 LB-FT
R.P.M.	2850			Pull-up Torque	3.63 LB-FT
Hz	50	Phase	1	Locked-rotor Torque	5.38 LB-FT
NEMA Design Code	N	KVA Code	H	Starting Current	32 A
Service Factor (S.F.)	1.25			No-load Current	3 A
NEMA Nom. Eff.	66	Power Factor	83	Line-line Res. @ 25°C	2.05 Ω A Ph 1.79 Ω B Ph
Rating - Duty	40C AMB-CONT			Temp. Rise @ Rated Load	55°C
S.F. Amps	14.6/7.3			Temp. Rise @ S.F. Load	82°C

Load Characteristics 220 V, 50 Hz, 1 HP

% of Rated Load	25	50	75	100	125	150	S.F.
Power Factor	48	66	76	82	85	87	85
Efficiency	62	69	70	67	63	57	63
Speed	3026	2986	2936	2828	2803	2711	2803
Line amperes	3.4	4	4.9	6	7.7	9.5	7.7

Performance Graph at 220V, 50Hz, 1.0HP Typical performance - Not guaranteed values





CD0001



REV. DESC: REVISE TO SHOW OPTIONAL COLORS			
REV. LTR: D	BY: JLP	REVISED: 04/08/99 1:16	TDR: 0178636
100000		FILE: AAA00007405	MDL: -
		MTL: -	

BALDOR ELECTRIC Co.

TYPE L, DV, REV, 6 LEADS

CD0001