

BALDOR® • ***RELIANCE***

Product Information Packet

L3510T

1HP,1725RPM,1PH,60HZ,143T,3524L,TEFC,F1

Part Detail							
Revision:	L	Status:	PRD/A	Change #:		Proprietary:	No
Type:	AC	Prod. Type:	3524L	Elec. Spec:	35WGx945	CD Diagram:	CD0001
Enclosure:	TEFC	Mfg Plant:		Mech. Spec:	35CC001	Layout:	35LYCC001
Frame:	143T	Mounting:	F1	Poles:	04	Created Date:	12-21-2009
Base:	RG	Rotation:	R	Insulation:	F	Eff. Date:	08-09-2016
Leads:	6#18					Replaced By:	
Literature:		Elec. Diagram:					

Nameplate NP1256L										
CAT.NO.	L3510T									
SPEC.	35CC001X945									
HP	1									
VOLTS	115/230									
AMP	12.8/6.4									
RPM	1725									
FRAME	143T				HZ	60			PH	1
SER.F.	1.15		CODE	K	DES	L		CLASS	F	
NEMA-NOM-EFF	68		PF	74						
RATING	40C AMB-CONT									
CC								USABLE AT 208V	7	
DE	6205				ODE	6203				
ENCL	TEFC		SN							

Parts List		
Part Number	Description	Quantity
SA188981	SA 35CC001X945	1.000 EA
RA176701	RA 35CC001X945	1.000 EA
EC1645A06SP	ELEC CAP, 645-774 MFD, 125V, 2.06D X 4.	1.000 EA
NS2512A01	INSULATOR, CONDUIT BOX X	1.000 EA
35CB3009	35 CB W/1.09 DIA. LEAD HOLE @ 6:	1.000 EA
36GS1000	GASKET-CONDUIT BOX, .06 THICK #SV-330 LE	1.000 EA
51XB1016A07	10-16 X 7/16 HXWSSLD SERTYB	2.000 EA
11XW1032G06	10-32 X .38, TAPTITE II, HEX WSHR SLTD U	1.000 EA
51XW0832A07	8-32 X .44, TAPTITE II, HEX WSHR SLTD SE	2.000 EA
35FE3100M01	FREP TEFC ASSEMBLY FOR ROUTING	1.000 EA
HW4500A01	1641B(ALEMITE)400 UNIV, GREASE FITT	1.000 EA
NS2501A01	INSULATOR, CAPACITOR	1.000 EA
35CB4802A02SP	CAPACITOR COVER, STAMPED X	1.000 EA
35GS3001A02	GASKET, CA.COVER, 5.38 LONG .06 CS301	1.000 EA
51XB1016A05	10-16X5/16HX WA SL SR TYB (F/S)	2.000 EA
HW5100A03SP	WAVY WASHER (W1543-017)	1.000 EA
35PE3101A01	PUEP ASSEMBLY FOR ROUTING	1.000 EA
HW4500A01	1641B(ALEMITE)400 UNIV, GREASE FITT	1.000 EA
XY1032A02	10-32 HEX NUT DIRECTIONAL SERRATION	4.000 EA
51XB1214A16	12-14X1.00 HXWSSLD SERTYB	1.000 EA
35FH4005A84SP	IEC FH W/GRSR, NO DIMPLES PRIMED	1.000 EA
51XW1032A06	10-32 X .38, TAPTITE II, HEX WSHR SLTD S	3.000 EA
35CB4521GX	CONDUIT BOX LID KIT	1.000 EA
51XW0832A07	8-32 X .44, TAPTITE II, HEX WSHR SLTD SE	4.000 EA

Parts List (continued)		
Part Number	Description	Quantity
HW2501D13	KEY, 3/16 SQ X 1.375	1.000 EA
HA7000A01	KEY RETAINER 7/8" DIA SHAFT	1.000 EA
85XU0407S04	4X1/4 U DRIVE PIN STAINLESS	2.000 EA
WD1000A15	3-520132-2 AMP FLAG (4M/RL NON-CANC/NON-	2.000 EA
MJ1000A02	GREASE, POLYREX EM EXXON (USe 4824-15A)	0.050 LB
35FN3002A05	EXFN, PLASTIC, 6.376 OD, .638 ID	1.000 EA
MG1000G27	MED CHARCOAL METALLIC GREY 400-0096	0.017 GA
SP5051A24	MODEL 35 TORQ STATIONARY SWITCH FOR "L"	1.000 EA
HA3100A18	THRUBOLT 10-32 X 9.250	4.000 EA
LC0001A01	CONN LABEL / WARNING LABEL (LC0001 / LB1	1.000 EA
NP1256L	ALUM UL CSA CC	1.000 EA
35PA1066	PKG GRP, PRINT PK1008A06	1.000 EA
MN416A01	TAG-INSTAL-MAINT no wire (1200/bx) 11/14	1.000 EA

Accessories		
Part Number	Description	Multiplier
35-8762	C FACE KIT	A8
35EP1506A01SP	D-FLANGE KIT	A8

AC Induction Motor Performance Data

Record # 33217 - Typical performance - not guaranteed values

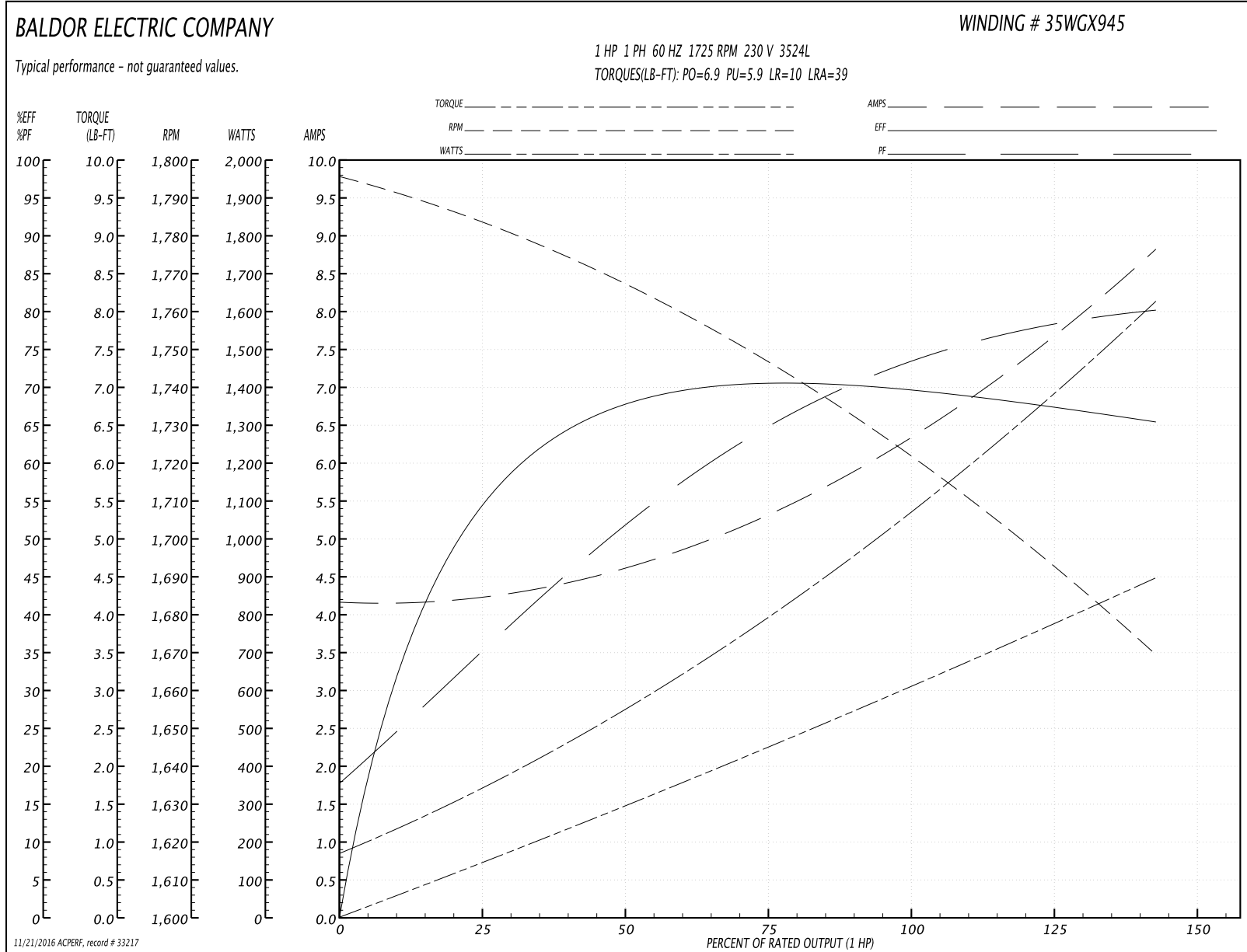
Winding: 35WGX945-R003	Type: 3524L	Enclosure: TEFC
-------------------------------	--------------------	------------------------

Nameplate Data				230 V, 60 Hz: High Voltage Connection	
Rated Output (HP)	1			Full Load Torque	3 LB-FT
Volts	115/230			Start Configuration	direct on line
Full Load Amps	12.8/6.4			Breakdown Torque	6.9 LB-FT
R.P.M.	1725			Pull-up Torque	5.9 LB-FT
Hz	60	Phase	1	Locked-rotor Torque	10 LB-FT
NEMA Design Code	L	KVA Code	K	Starting Current	39 A
Service Factor (S.F.)	1.15			No-load Current	4.1 A
NEMA Nom. Eff.	68	Power Factor	74	Line-line Res. @ 25°C	2.6 Ω A Ph 1.8 Ω B Ph
Rating - Duty	40C AMB-CONT			Temp. Rise @ Rated Load	79°C
S.F. Amps				Temp. Rise @ S.F. Load	96°C

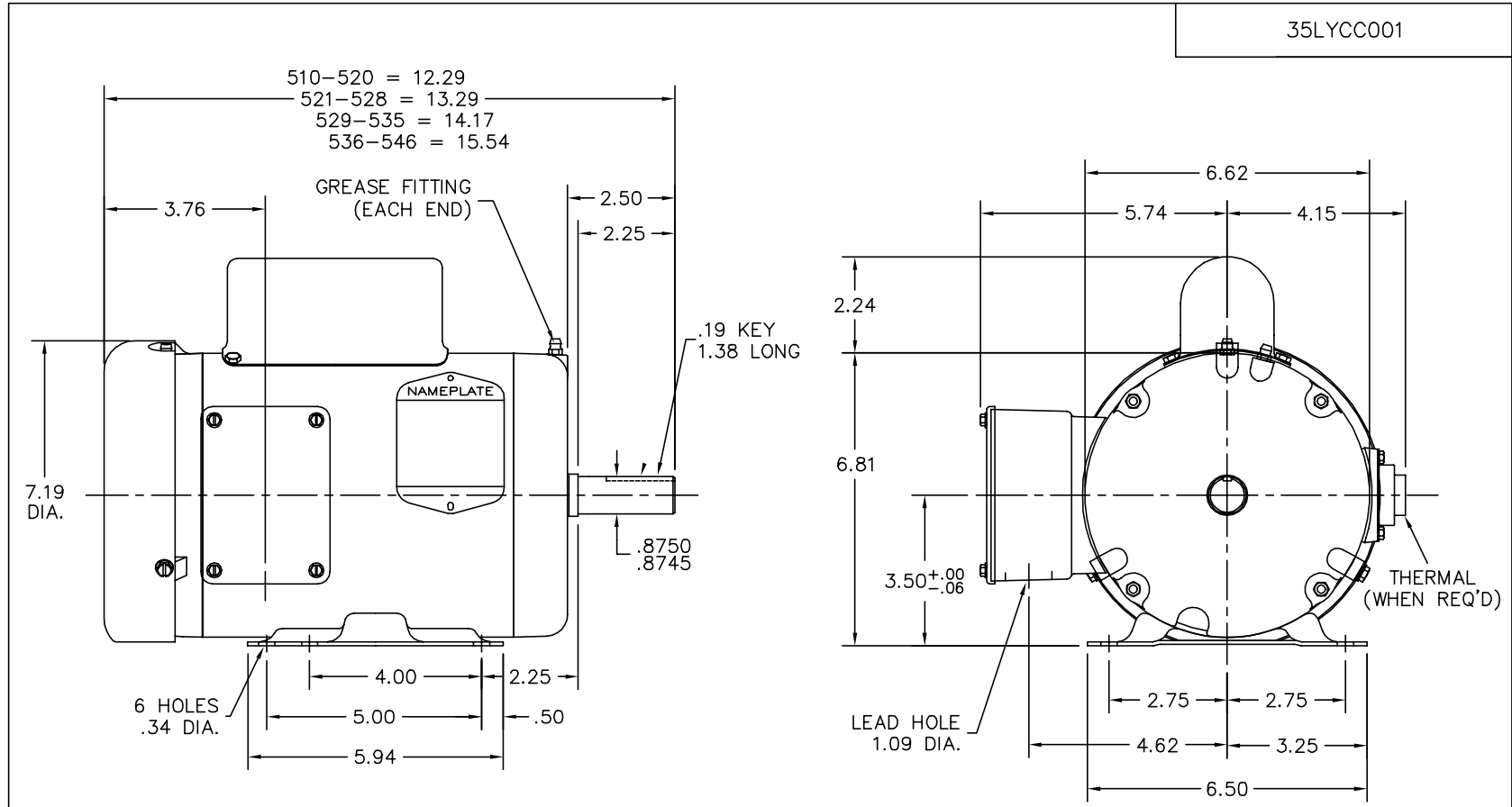
Load Characteristics 230 V, 60 Hz, 1 HP

% of Rated Load	25	50	75	100	125	150	S.F.
Power Factor	39	53	67	75	81	84	79
Efficiency	52.9	67.6	70	70.3	68.6	64.9	69.3
Speed	1781	1765	1746	1726	1701	1666	1711
Line amperes	4.3	4.7	5.3	6.2	7.4	8.9	6.9

Performance Graph at 230V, 60Hz, 1.0HP Typical performance - Not guaranteed values



11/21/2016 ACPERF, record # 33217



CUSTOMER IS RESPONSIBLE FOR DETERMINING THAT BALDOR'S PRODUCT WILL PERFORM SUITABLY IN THE INTENDED APPLICATION.

REV. DESC: NEW		
REV. LTR: -	VERSION: 00	TDR: 000000520880
FILE: \AAA\00168\406	REVISED: 01:55:27 12/21/2009	
MTL: -	BY: ENALEMO	

BALDOR • DODGE • RELIANCE

STD HORZ 143-5T TEFC 35L W/1.09 DIA. LEAD HOLE

SH 1 of 1

35LYCC001

CD0001



REV. DESC: REVISE TO SHOW OPTIONAL COLORS			
REV. LTR: D	BY: JLP	REVISED: 04/08/99 1:16	TDR: 0178636
100000		FILE: AAA00007405	MDL: -
		MTL: -	

BALDOR ELECTRIC Co.

TYPE L, DV, REV, 6 LEADS

CD0001