

BALDOR® • ***RELIANCE***

Product Information Packet

OF3340T

40HP, 1125RPM, 3PH, 60HZ, 365T, 4268M, OPSB, F2

Part Detail							
Revision:	F	Status:	PRD/A	Change #:		Proprietary:	No
Type:	AC	Prod. Type:	4268M	Elec. Spec:	42WGW919	CD Diagram:	CD0022
Enclosure:	OPSB	Mfg Plant:		Mech. Spec:	42H005	Layout:	42LYH005
Frame:	365T	Mounting:	F2	Poles:	06	Created Date:	06-13-2011
Base:	RG	Rotation:	R	Insulation:	F	Eff. Date:	08-26-2016
Leads:	6#8 ML4400B08					Replaced By:	
Literature:		Elec. Diagram:					

Nameplate NP1256L										
CAT.NO.	OF3340T									
SPEC.	42H005W919									
HP	40									
VOLTS	460/796									
AMP	56/32.5									
RPM	1125									
FRAME	365T				HZ	60			PH	3
SER.F.	1.15		CODE	H	DES	D		CLASS	F	
NEMA-NOM-EFF	88.5		PF	78						
RATING	40C AMB-CONT									
CC									USABLE AT 208V	
DE	6313				ODE	6311				
ENCL	OPSB		SN							

Parts List		
Part Number	Description	Quantity
SA225483	SA 42H005W919	1.000 EA
RA212579	RA 42H005W919	1.000 EA
HA6360	LIFTING LUG FOR 42 FRAME MOTORS.	2.000 EA
HA6017	CAST ADAPTER, 40,42 KOBX	1.000 EA
19XW3118A12	.31-18 X .75 HEX WASHER HEAD TAPTITE II	2.000 EA
HW1001A31	LOCKWASHER 5/16, ZINC PLT.591 OD, .319 I	2.000 EA
10CB1000A04SP	CONDUIT BOX, MACH	1.000 EA
10GS1001	GASKET CONDUIT BOX NEOP	1.000 EA
19XW3118A16	.31-18 HEX WASHER HEAD TAPTITE II 1.00 L	4.000 EA
HW1001A31	LOCKWASHER 5/16, ZINC PLT.591 OD, .319 I	4.000 EA
WD1000B16	T&B CX70TN TERMINAL	1.000 EA
10XN2520K08	1/4-20 X .50 GRADE #5, STL, ZINC PLATE	1.000 EA
HW1001A25	LOCKWASHER 1/4, ZINC PLT .493 OD, .255 I	1.000 EA
42EP3200A01	FR ENDPLATE, MACH 324-6T	1.000 EA
HA1108A01	RODENT SCREEN	1.000 EA
51XW1032A06	10-32 X .38, TAPTITE II, HEX WSHR SLTD S	4.000 EA
HW5100A13	W4627-047 WVY WSHER	1.000 EA
10XN3816K44	3/8-16 X 2.75 HEX HD CAP SCREW, GRADE 5	4.000 EA
HW1001A38	LOCKWASHER 3/8, ZINC PLT .688 OD, .382 I	4.000 EA
42EP1202A04	SPL PUEP W/313 BRG. & RODENT SCREENS	1.000 EA
HA1165A02	RODENT SCREEN FOR 42 PU. C-FACE E.P.	1.000 EA
51XW1032A06	10-32 X .38, TAPTITE II, HEX WSHR SLTD S	4.000 EA
XY5013A12	NUT,1/2-13,HEX,STEEL,ZINCPLATED	8.000 EA
10CB1500A01SP	CONDUIT BOX LID, MACH	1.000 EA

Parts List (continued)		
Part Number	Description	Quantity
14GS1003	GASKET CONDUIT BOX LID, NEOP	1.000 EA
10XN2520K16	1/4-20 X 1" HX HD SCRW GRADE 5, ZINC P	4.000 EA
HW1001A25	LOCKWASHER 1/4, ZINC PLT .493 OD, .255 I	4.000 EA
HW2501J36	KEY, 5/8 SQ X 4.250	1.000 EA
LB1115N	LABEL,LIFTING DEVICE (ON ROLLS)	1.000 EA
MN416A01	TAG-INSTAL-MAINT no wire (1200/bx) 11/14	1.000 EA
HW4500A03	GREASE FITTING, .125 NPT 1610(ALEMITE) 8	1.000 EA
HW4500A17	317400 ALEMITE GREASE RELIEF	1.000 EA
HA4051A00	PLASTIC CAP FOR GREASE FITTING	1.000 EA
MJ1000A02	GREASE, POLYREX EM EXXON (USe 4824-15A)	0.030 LB
HW4500A03	GREASE FITTING, .125 NPT 1610(ALEMITE) 8	1.000 EA
HW4500A17	317400 ALEMITE GREASE RELIEF	1.000 EA
HA4051A00	PLASTIC CAP FOR GREASE FITTING	1.000 EA
MG1025G03	WILKOFASST, 789.901, OIL RIG SILVER	0.080 GA
85XU0407S04	4X1/4 U DRIVE PIN STAINLESS	2.000 EA
42AD2001A01	BAFFLE PLATE 42 OPEN, SLOTTED BAND MTRS	1.000 EA
42AD2001A01	BAFFLE PLATE 42 OPEN, SLOTTED BAND MTRS	1.000 EA
HA3151A09	THRUBOLT STUD 1/2-13 X 22.000	4.000 EA
LB1119N	WARNING LABEL	1.000 EA
LB1003	LABEL,OIL FIELD PUMP DUTY	1.000 EA
LC0034	CONNECTION LABEL	1.000 EA
NP1256L	ALUM UL CSA CC	1.000 EA
42PA1000	PACKAGING GROUP PRINT PK1024A06	1.000 EA

Accessories		
Part Number	Description	Multiplier
42-1400	C FACE KIT	A8

AC Induction Motor Performance Data

Record # 34430 - Typical performance - not guaranteed values

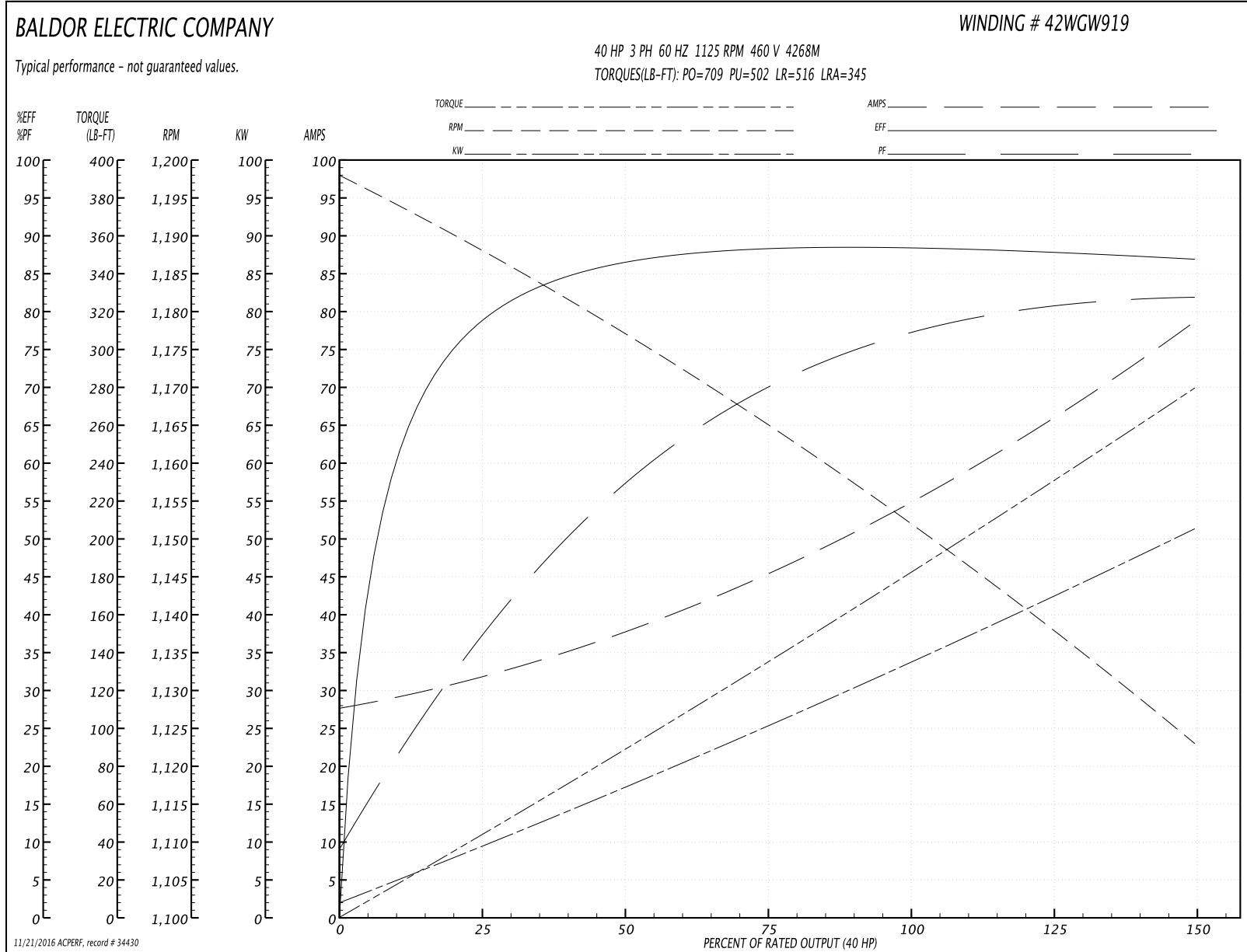
Winding: 42WGW919-R001	Type: 4268M	Enclosure: OPEN
-------------------------------	--------------------	------------------------

Nameplate Data				460 V, 60 Hz: Low Voltage Connection	
Rated Output (HP)	40			Full Load Torque	187 LB-FT
Volts	460/796			Start Configuration	direct on line
Full Load Amps	56/32.5			Breakdown Torque	709 LB-FT
R.P.M.	1125			Pull-up Torque	502 LB-FT
Hz	60	Phase	3	Locked-rotor Torque	516 LB-FT
NEMA Design Code	D	KVA Code	H	Starting Current	345 A
Service Factor (S.F.)	1.15			No-load Current	28.1 A
NEMA Nom. Eff.	88.5	Power Factor	78	Line-line Res. @ 25°C	0.13 Ω
Rating - Duty	40C AMB-CONT			Temp. Rise @ Rated Load	68°C
S.F. Amps				Temp. Rise @ S.F. Load	82°C

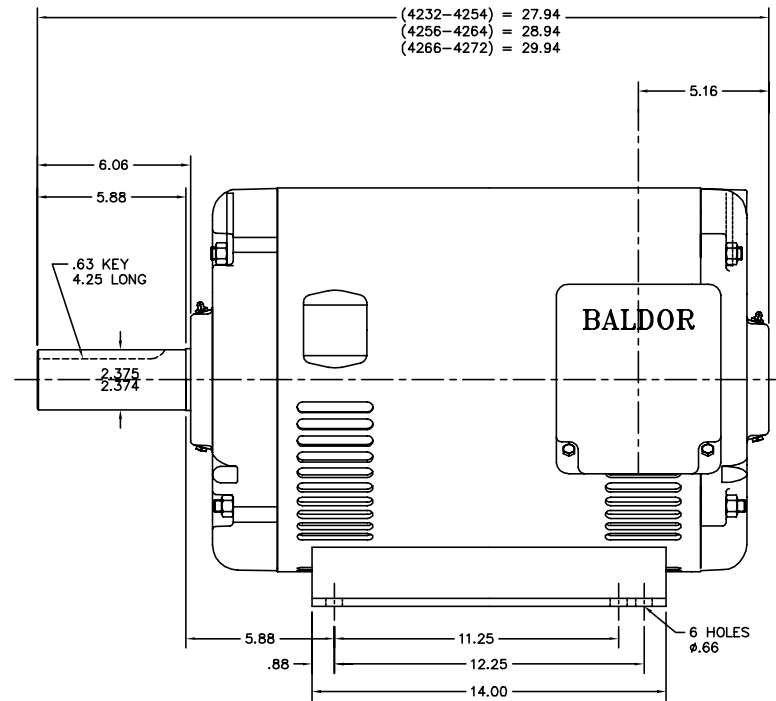
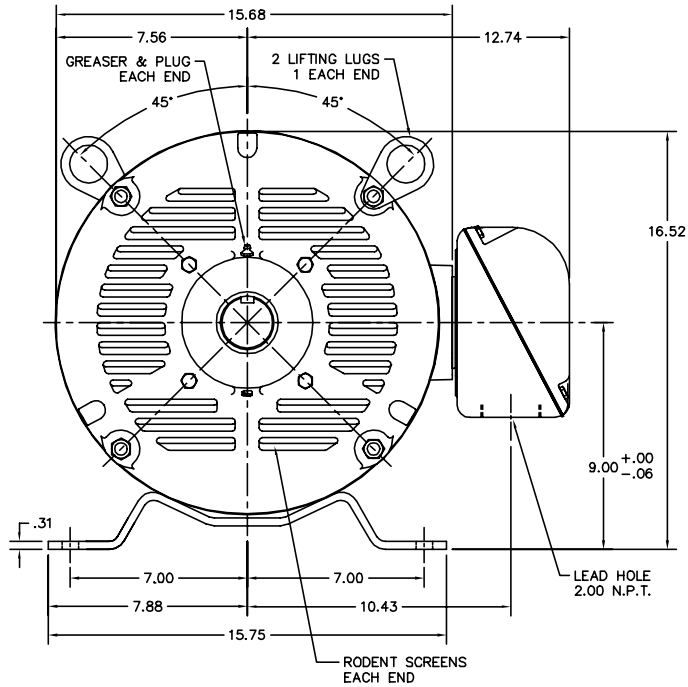
Load Characteristics 460 V, 60 Hz, 40 HP

% of Rated Load	25	50	75	100	125	150	S.F.
Power Factor	40	60	71	77	80	82	79
Efficiency	79	86.6	88.2	88.7	87.9	86.8	88.2
Speed	1186	1176	1163	1152	1138	1122	1144
Line amperes	31.6	37.9	46.5	56.3	66.9	78.3	62.7

Performance Graph at 460V, 60Hz, 40.0HP Typical performance - Not guaranteed values



42LYH005



(4232-4254) = 27.94
 (4256-4264) = 28.94
 (4266-4272) = 29.94

CUSTOMER IS RESPONSIBLE FOR DETERMINING THAT MOTOR PERFORMANCE IS SUITABLE IN THE APPLICATION.

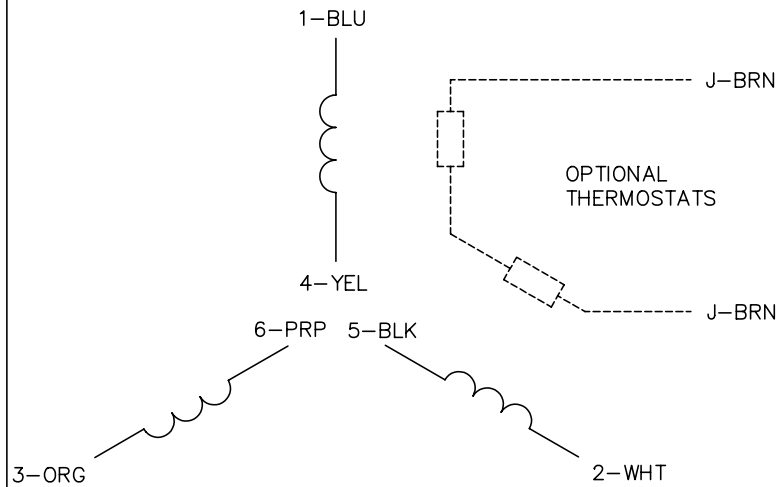
REV. DESC: ADD GASKETS			
REV. LTR: E	BY: JIM	REVISED: 16:24:11 05/21/2003	TDR: 302187
FILE: AAA00065496		REF: 42LYH005	
MTL: -			

BALDOR ELECTRIC Co.

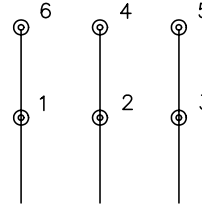
HORZ OPSB 364-5T OFF F2 W/RODENT SCREENS & T'STATS

42LYH005

CD0022

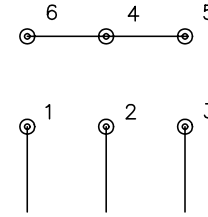


LOW VOLTAGE
(1D)



LINE

HIGH VOLTAGE
(1Y)



LINE

NOTES:

1. INTERCHANGE ANY TWO LINE LEADS TO REVERSE ROTATION.
2. OPTIONAL THERMOSTATS ARE PROVIDED WHEN SPECIFIED.
3. ACTUAL NUMBER OF INTERNAL PARALLEL CIRCUITS MAY BE A MULTIPLE OF THOSE SHOWN ABOVE.
4. LEAD COLORS ARE OPTIONAL. LEADS MUST ALWAYS BE NUMBERED AS SHOWN.

REV. DESC: REVISE TO SHOW OPTIONAL COLORS

REV. LTR: F

BY: JLP

REVISED: 01/21/99 3:54

TDR: 0171435

CD0022

FILE: AAA00005144

MDL: -

MTL: -

BALDOR ELECTRIC Co.

3PH, DV, 6 LEADS, DELTA/WYE CONNECTION

CD0022