

BALDOR® • ***RELIANCE***

Product Information Packet

OF3375T

75HP, 1125RPM, 3PH, 60HZ, 404T, 1668M, OPEN, F2

Part Detail							
Revision:	N	Status:	PRD/A	Change #:		Proprietary:	No
Type:	AC	Prod. Type:	A40068M	Elec. Spec:	A40WG0518	CD Diagram:	416820-004
Enclosure:	DP	Mfg Plant:		Mech. Spec:		Layout:	611750-001
Frame:	404T	Mounting:	F2	Poles:	06	Created Date:	10-19-2010
Base:		Rotation:	R	Insulation:	F	Eff. Date:	08-12-2015
Leads:	6#6					Replaced By:	
Literature:		Elec. Diagram:					

Nameplate NP2531L			
CAT.NO.	OF3375T	SPEC NO.	P40G734
HP	75	PHASE	3
RPM	1130	DESIGN	D
VOLTS	460/796	TYPE	P
AMPS	88/50.8	AMB	40
DRIVE END BEARING	80BC03J30X	SF	1.15
OPP D.E. BEARING	80BC03J30X	INSUL.CLASS	F
SER.NO.	OVER TEMP PROT 2	ENCL	DP
		CODE	H
		NEMA-NOM-EFFICIENCY	89.5
		MOTOR WEIGHT	1119
		FRAME	404T
		DUTY	CONT

Parts List		
Part Number	Description	Quantity
SA209106	SA P40G734	1.000 EA
RA196369	RA P40G734	1.000 EA
NP2531L	INDUSTRIAL MOTOR,SS, CSA-C US,	1.000 EA
000692000VD	LABEL WARNING	1.000 EA
004824015A	GREASE POLYREX EM	0.884 LB
032018005AK	HHCS 1/4-20X5/8 PLATED	4.000 EA
032018006AK	HHCS 1/4-20X3/4L PLATED	1.000 EA
032018020DK	HHCS 1/2-13X2-1/2 PLTD.	2.000 EA
032018026DK	HHCS 1/2-13X3-1/4L PLTD.	2.000 EA
032018030CK	HHCS 3/8-16X3-3/4 PLATED	3.000 EA
032375008JB	RHMS 10-24X1L PLATED	16.000 EA
034000012AB	WSHR 1/4 STD. PLATED	4.000 EA
034017012AB	LCKW 1/4 STD. PLATED	4.000 EA
035000001A	ALFTG 1/8" 1610-BL	1.000 EA
035000001A	ALFTG 1/8" 1610-BL	1.000 EA
089407052A	BRKT 400 089407052WCB	1.000 EA
702609001A	BAFFL 400 SUB PAINT	1.000 EA
702617017A	SCREN - 400	1.000 EA
089407052A	BRKT 400 089407052WCB	1.000 EA
702609001A	BAFFL 400 SUB PAINT	1.000 EA
702617017A	SCREN - 400	1.000 EA
032018005AK	HHCS 1/4-20X5/8 PLATED	4.000 EA
032018006AK	HHCS 1/4-20X3/4L PLATED	1.000 EA
032018020DK	HHCS 1/2-13X2-1/2 PLTD.	2.000 EA

Parts List (continued)		
Part Number	Description	Quantity
032018026DK	HHCS 1/2-13X3-1/4L PLTD.	2.000 EA
032018030CK	HHCS 3/8-16X3-3/4 PLATED	3.000 EA
034000012AB	WSHR 1/4 STD. PLATED	4.000 EA
034017012AB	LCKW 1/4 STD. PLATED	4.000 EA
034000012AB	WSHR 1/4 STD. PLATED	1.000 EA
034000012AB	WSHR 1/4 STD. PLATED	1.000 EA
410700000DA	WAVY SPRING WASHER	1.000 EA
415090010A	CLIP (400)	4.000 EA
415090011A	CLIP (400)	4.000 EA
603522021A	LOUV 400 SUB PAINT	2.000 EA
604967032A	LOUV, PAINTED 440	2.000 EA
032018004AK	HHCS 1/4-20X1/2 PLATED	4.000 EA
032018008CK	HHCS 3/8-16X1L PLATED	4.000 EA
033512004LB	HHTTS 1/4-20X1/2 PLTD.	1.000 EA
048897010DH	BUSH - 400	1.000 EA
077176000L	C/BOX, PAINTED 360-400	1.000 EA
077176001A	CBOXC, PAINTED 360-400	1.000 EA
415000103D	T/LUG #4AWG-1/0AWG W/HOLE FOR .250 BOLT	1.000 EA
MG1025G03	WILKOFAS, 789.901, OIL RIG SILVER	0.500 GA
033775004EA	DRSCR #6-1/4 304 S.S.	4.000 EA
034180044JA	KEY 3/4X3/4X5-1/2 L	1.000 EA
421948037	LABEL, MYLAR	1.000 EA
PK5004A02	WOOD BASE 40X32 STACK 2X4 RUNNER	1.000 EA
035000001G	GREASE RELIEF FITTING, ALEMITE 317400	1.000 EA

Product Information Packet: OF3375T - 75HP,1125RPM,3PH,60HZ,404T,1668M,OPEN,F2

034600001AB	BUSH 1/4X1/8 PLATED	1.000 EA
034600001AB	BUSH 1/4X1/8 PLATED	1.000 EA
035000001G	GREASE RELIEF FITTING, ALEMITE 317400	1.000 EA

Accessories		
Part Number	Description	Multiplier
16-1400	C FACE KIT	
16EP1601A01SP	D-FLANGE KIT	A8

REL. S. O.	FRAME	HP	TYPE	PHASE/ HERTZ	RPM	VOLTS
	404T	75	P	3/60	1130	460/796
AMPS	DUTY	AMB °C/ INSUL.	S. F.	NEMA DESIGN	CODE LETTER	ENCL.
88/50.8	CONT	40/F	1.15	D	H	ODP
E/S	ROTOR	TEST S. O.	TEST DATE	STATOR RES. @25 °C OHMS (BETWEEN LINES)		
596136	418142073GA	---	---	.0892/.267		

PERFORMANCE

LOAD	HP	AMPERES	RPM	POWER FACTOR %	EFFICIENCY %
NO LOAD	0	14.3	1200	6.15	0
1/4	18.8	18.7	1184	60.1	90.4
2/4	37.5	27.4	1166	80.4	92.2
3/4	56.2	38.3	1148	86.9	91.5
4/4	75.0	50.8	1128	88.8	89.9
5/4	93.7	63.9	1106	90.4	87.9

SPEED TORQUE

	RPM	TORQUE % FULL LOAD	TORQUE LB.-FT.	AMPERES
LOCKED ROTOR	0	299	1043	344
PULL UP	0	299	1043	344
BREAKDOWN	744	329	1149	250
FULL LOAD	1128	100	349	50.8

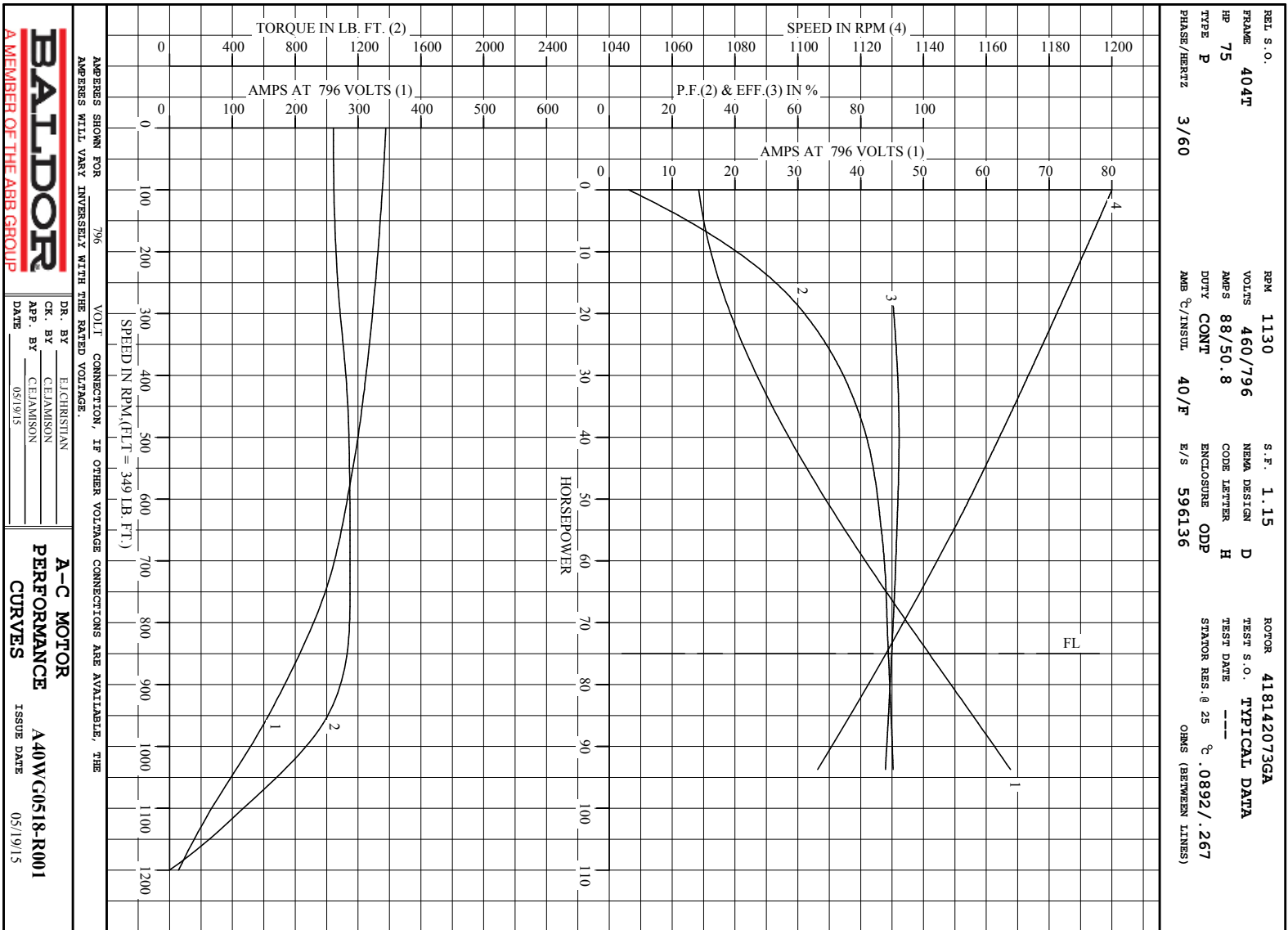
AMPERES SHOWN FOR 796. VOLT CONNECTION. IF OTHER VOLTAGE CONNECTIONS ARE AVAILABLE, THE AMPERES WILL VARY INVERSELY WITH THE RATED VOLTAGE

REMARKS: TYPICAL DATA



DR. BY E. J. CHRISTIAN
 CK. BY C. E. JAMISON
 APP. BY C. E. JAMISON
 DATE 05/19/15

A-C MOTOR
 PERFORMANCE DATA
 A40WG0518-R001
 ISSUE DATE 05/19/15



Printed on 5/19/15 13:07 @ rsgsun

611750-001

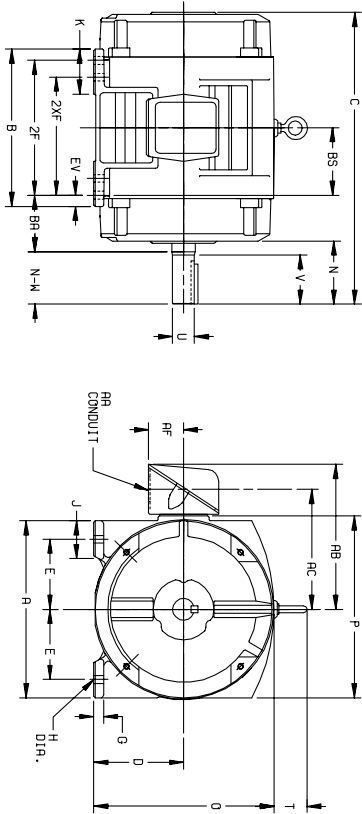
DUTY MASTER ALTERNATING CURRENT MOTORS

SQUIRREL-CAGE INDUCTION

ENCLOSURE: PROTECTED
MOUNTING: FOOT

FRAMES 250T THRU 440T

COOLING: SELF-VENTILATED



DIMENSIONS ARE IN INCHES

FRAME	A	D(2)	E	G	H	J	K	O	P	STEEL TERMINAL BOX						EV
										T	AA	AB	AC	AF	BA	
254T-256T	12.50	6.25	5.00	.69	.56	2.25	3.50	12.61	12.69	2.44	1-1/4	10.19	8.19	2.50	4.25	.62
284T-286T	14.00	7.00	5.50	.75	.56	2.75	3.75	14.12	14.31	2.44	1-1/2	12.19	9.44	3.19	4.75	1.00
324T-326T	15.75	8.00	6.25	.88	.69	3.12	4.00	16.10	16.42	2.44	2	14.25	10.75	4.25	5.25	1.00
364T-366T	17.00	9.00	7.00	.88	.69	3.00	3.62	18.30	19.56	2.94	3	18.06	14.00	5.38	5.88	1.00
404T-406T	19.00	10.00	8.00	1.12	.81	3.25	4.75	20.56	21.81	2.94	3	19.06	15.00	4.38	6.62	1.12
444T-446T	21.00	11.00	9.00	1.12	.81	3.25	5.25	22.91	23.62	3.25	3	22.62	17.38	5.50	7.50	1.25

FRAME	SIZE	C	BS	B	ZF	N	O	SHAFT AND KEY			WEIGHT LBS. (5)	
								N-W(6)	U(3)	V		SQ.
254T	22.44	5.00	11.25	---	8.25	4.25	4.00	1.625	3.75	.375	2.75	265
296T	22.44	5.00	11.25	10.00	---	4.25	4.00	1.625	3.75	.375	2.75	275
284T	24.94	5.50	13.00	---	9.50	4.88	4.62	1.875	4.38	.500	3.25	340
286T	23.56	5.50	13.00	---	9.50	3.50	3.25	1.625	3.00	.375	1.88	370
286T	24.94	5.50	13.00	11.00	---	4.88	4.62	1.875	4.38	.500	3.25	370
286T	23.56	5.50	13.00	11.00	---	3.50	3.25	1.625	3.00	.375	1.88	370
324T	27.56	6.00	14.00	---	10.50	5.50	5.25	2.125	5.00	.500	3.75	465
324T	26.06	6.00	14.00	12.00	---	4.00	4.00	3.75	1.875	.500	2.00	465
326T	27.56	6.00	14.00	12.00	---	5.50	5.25	2.125	5.00	.500	3.75	505
326T	26.06	6.00	14.00	12.00	---	4.00	4.00	3.75	1.875	.500	2.00	505
364T	28.70	6.12	14.25	---	11.25	6.12	3.88	2.375	5.62	.825	4.25	710
364T	29.70	6.12	14.25	12.25	---	6.12	3.88	2.375	5.62	.825	4.25	755
365T	27.56	6.12	14.25	12.25	---	4.00	3.75	1.875	3.50	.500	2.00	750
365T	29.70	6.12	14.25	12.25	---	6.12	3.88	2.375	5.62	.825	4.25	755
404T	34.00	6.88	16.00	---	12.25	7.62	4.25	2.125	7.00	.750	5.50	1020
404T	34.00	6.88	16.00	13.75	---	7.62	4.25	2.125	7.00	.750	5.50	1065
405T	34.00	6.88	16.00	13.75	---	6.62	4.25	2.125	7.00	.750	5.50	1065
405T	31.00	6.88	16.00	13.75	---	4.62	4.25	2.125	4.00	.500	2.75	1060
444T	39.56	8.25	19.00	---	14.50	8.94	8.50	3.375	8.25	.875	6.88	1715
444T	35.81	8.25	19.00	---	14.50	8.19	4.75	3.375	4.50	.825	3.00	1750
444T	39.56	8.25	19.00	---	14.50	8.94	8.50	3.375	8.25	.875	6.88	1750
444T	35.81	8.25	19.00	---	14.50	8.19	4.75	3.375	4.50	.825	3.00	1750

- (1) SPECIAL DIMENSIONS APPLYING TO THIS ORDER ON THIS LINE.
 - (2) "D" VARIES [290T - 320T +.00, -.03.
 - (3) "J" VARIES +.000, -.001
 - (4) ALL FRAMES HAVE EIGHT MOUNTING HOLES FOR DUAL MOUNTING.
 - (5) MOTOR WEIGHTS MAY VARY BY 15% DEPENDING UPON RATING.
- CONDUIT BOX LOCATED ON OPPOSITE SIDE WHEN F-2-W-1, W-4-W-5-W-7, OR C-1 MOUNTING IS SPECIFIED.
- IF MOUNTING CLEARANCE DETAILS ARE REQUIRED, CONSULT FACTORY.
- MAXIMUM PERMISSIBLE SHAFT RUNOUT WHEN MEASURED AT END OF STD. SHAFT EXTENSION IS .002 T.I.R. UP TO AND INCLUDING 1.625 DIA. AND .005 T.I.R. ABOVE 1.625 TO 5 INCH DIA.

FRAMES N-W VARIES +.00, -.25
 ORDER ITEM HP CERTIFIED FOR RPM PH HZ VOLTS
 SALES ORDER APPROVED BY DATE

100-057119

CUSTOMER IS RESPONSIBLE FOR DETERMINING THAT BALDOR'S PRODUCT WILL PERFORM SUITABLY IN THE INTENDED APPLICATION.

REV. DESC: ASSIGNED TO BUSLOAD	VERSION: 01	TDR: 000000489455
REV. LTR: A	REVISED: 15:03:33 02/02/2009	BY: RAGZJR
FILE: \RAG\00008\297		
MTL: -		

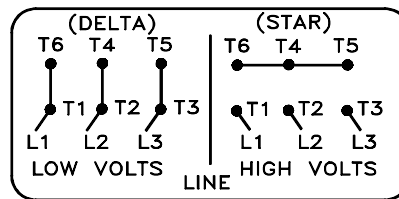
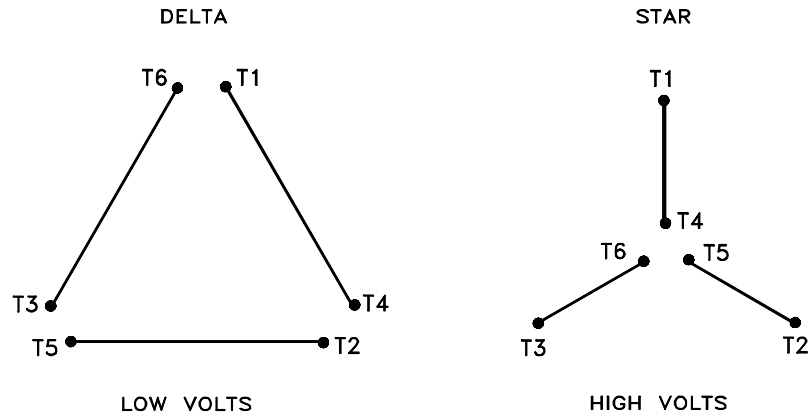
Baldor • Dodge • Reliance

DIM SHT PROT SV FT 250-440T

SH 1 of 1

416820-004

A-C MOTOR
CONNECTION DIAGRAM
STANDARD 6 LEAD (DELTA/STAR CONNECTED)
DUAL VOLTAGE (LOW VOLTS/HIGH VOLTS)



(N.P. 1767-CC)

416820-004

REV. DESC: ADDED CLASSIFICATONS		
REV. LTR: B	VERSION: 02	TDR: 000000539297
FILE: \RSN\00017\950	REVISED: 11:58:09 05/04/2010	
MTL: -	BY: RAGRA	

BALDOR

A-C MOTOR CONNECTION DIAGRAM

SH 1 of 1

Marketing maintained PDF of MN408:

<http://www.baldor.com/support/Literature/Load.ashx/MN408?ManNumber=MN408>

Marketing maintained PDF of MN416:

<http://www.baldor.com/support/Literature/Load.ashx/MN416?ManNumber=MN416>