

BALDOR® • RELIANCE

Product Information Packet

RL1304A277

.5HP/1725RPM/1PH/OPEN/NEMA 56

Part Detail							
Revision:	U	Status:	PRD/A	Change #:		Proprietary:	No
Type:	AC	Prod. Type:	3418L	Elec. Spec:	34WGW310	CD Diagram:	CD0085
Enclosure:	OPEN	Mfg Plant:		Mech. Spec:	34L033	Layout:	34LYL033
Frame:	56	Mounting:	F1	Poles:	04	Created Date:	
Base:	RS	Rotation:	RS	Insulation:	B	Eff. Date:	03-22-2016
Leads:	5#18					Replaced By:	
Literature:		Elec. Diagram:					

Nameplate NP1257L	
CAT.NO.	RL1304A277
SPEC.	34L33W310
HP	.5
VOLTS	277
AMP	3.6
RPM	1725
FRAME	56
HZ	60
PH	1
SER.F.	1.25
CODE	K
DES	N
CL	B
NEMA-NOM-EFF	62
PF	61
RATING	40C AMB-CONT
CC	USABLE AT 208V
DE	6203
ODE	6203
ENCL	OPEN
SN	
	SFA 4

Parts List		
Part Number	Description	Quantity
SA007924	SA 34L33W310	1.000 EA
RA004371	RA 34L33W310	1.000 EA
HA6004A01A	CLAMP CUSHION RING ASSY	2.000 EA
34EP3202A01SP	FR ENDPLATE, MACH	1.000 EA
WD4100A01	DP-875 HEYCO PLUG OR 62MP0875 MICRO PLAS	1.000 EA
LD5000A52	LEAD ASSY W/INTERNAL STAR RING TERMINALS	1.000 EA
11XT1032A06	10-32 X 3/8 HX WSHR HD SLTD TYPE 23	2.000 EA
NS2501A01	INSULATOR, CAPACITOR	1.000 EA
51XB1016A05	10-16X5/16HX WA SL SR TYB (F/S)	2.000 EA
11XT0832G06	8-32 X 3/8 TY 23 TAPPING	1.000 EA
51XW0832A07	8-32 X .44, TAPTITE II, HEX WSHR SLTD SE	3.000 EA
HW5100A03SP	WAVY WASHER (W1543-017)	1.000 EA
34EP3203A01	PU ENDPLATE, MACH	1.000 EA
RM1000A03	CUSHION RING, MDL 17-33-34	1.000 EA
XY1032A02	10-32 HEX NUT DIRECTIONAL SERRATION	4.000 EA
34CB4501SP	TERMINAL BOX LID, STAMPED X (PLATED)	1.000 EA
51XW0832A07	8-32 X .44, TAPTITE II, HEX WSHR SLTD SE	2.000 EA
HW2501D13	KEY, 3/16 SQ X 1.375	1.000 EA
HA7000A04	KEY RETAINER 0.625 DIA SHAFTS	1.000 EA
34BA4003J01	RESILIENT BASE, MODEL 34 NEMA 56	1.000 EA
MG1000G27	MED CHARCOAL METALLIC GREY 400-0096	0.014 GA
10XF0440S02	04-40 X 1/8 TYPE F HEX HD STAINLESS STIC	2.000 EA
EC1053D03	ELEC CAP, 53-64 MFD, 330V, 1.81D X 3.	1.000 EA
RM1000A03	CUSHION RING, MDL 17-33-34	1.000 EA

Parts List (continued)		
Part Number	Description	Quantity
33CB4800A02	CAPACITOR COVER, STAMPED	1.000 EA
SP5068A04	MODEL 34 TERMINAL PANEL SWITCH WITH LEAD	1.000 EA
HA3100A44	THRUBOLT 10-32 X 8.000	4.000 EA
LB1118	LABEL,WARNING (ROLL LABEL)	1.000 EA
LC0085	CONNECTION LABEL	1.000 EA
NP1257L	ALUM UL CSA CC THERMAL REV MTG	1.000 EA
34PA1002	PKG GRP, PRINT PK1001A01	1.000 EA

AC Induction Motor Performance Data
Record # 6948 - Typical performance - not guaranteed values

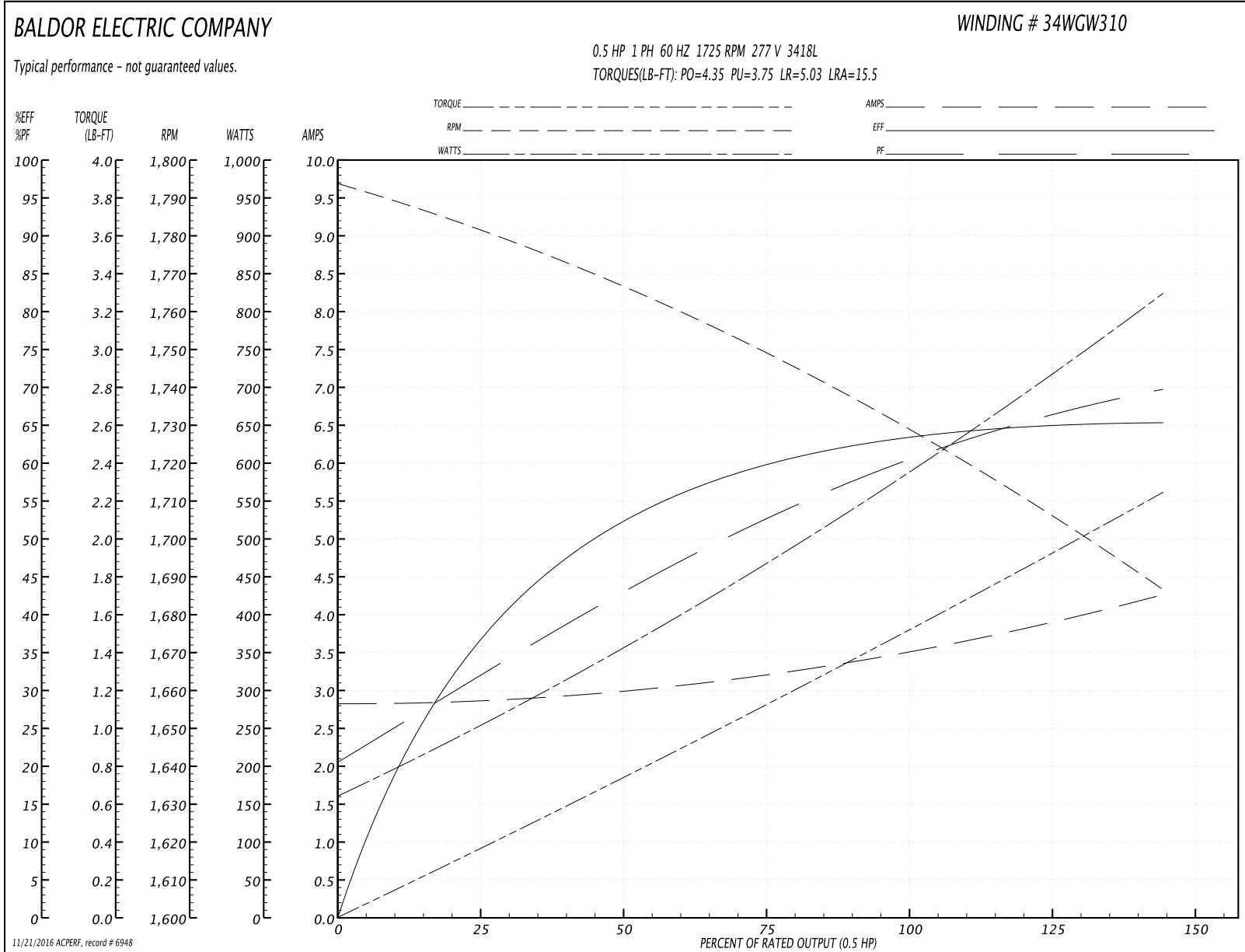
Winding: 34WGW310-R001	Type: 3418L	Enclosure: OPEN
-------------------------------	--------------------	------------------------

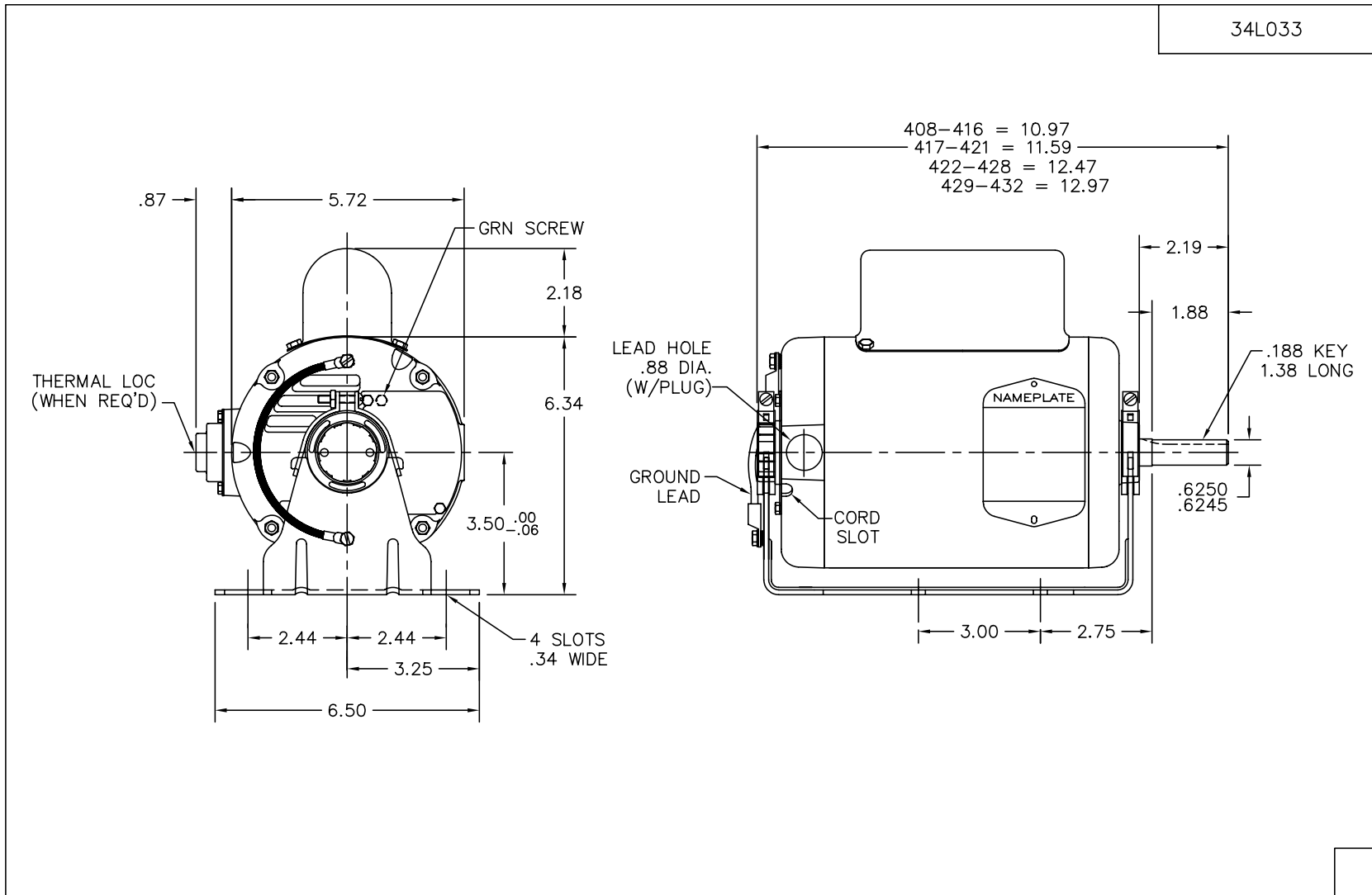
Nameplate Data				277 V, 60 Hz: Single Voltage Motor	
Rated Output (HP)	.5			Full Load Torque	1.5 LB-FT
Volts	277			Start Configuration	direct on line
Full Load Amps	3.6			Breakdown Torque	4.35 LB-FT
R.P.M.	1725			Pull-up Torque	3.75 LB-FT
Hz	60	Phase	1	Locked-rotor Torque	5.03 LB-FT
NEMA Design Code	N	KVA Code	K	Starting Current	15.5 A
Service Factor (S.F.)	1.25			No-load Current	2.8 A
NEMA Nom. Eff.	62	Power Factor	61	Line-line Res. @ 25°C	6.38 Ω A Ph 18.2 Ω B Ph
Rating - Duty	40C AMB-CONT			Temp. Rise @ Rated Load	59°C
S.F. Amps	4			Temp. Rise @ S.F. Load	68°C

Load Characteristics 277 V, 60 Hz, 0.5 HP

% of Rated Load	25	50	75	100	125	150	S.F.
Power Factor	30	42	53	62	69	77	69
Efficiency	36	52	60	64	65	65	65
Speed	1780	1765	1750	1730	1711	1685	1711
Line amperes	2.9	3	3.2	3.5	3.8	4.3	3.8

Performance Graph at 277V, 60Hz, 0.5HP Typical performance - Not guaranteed values



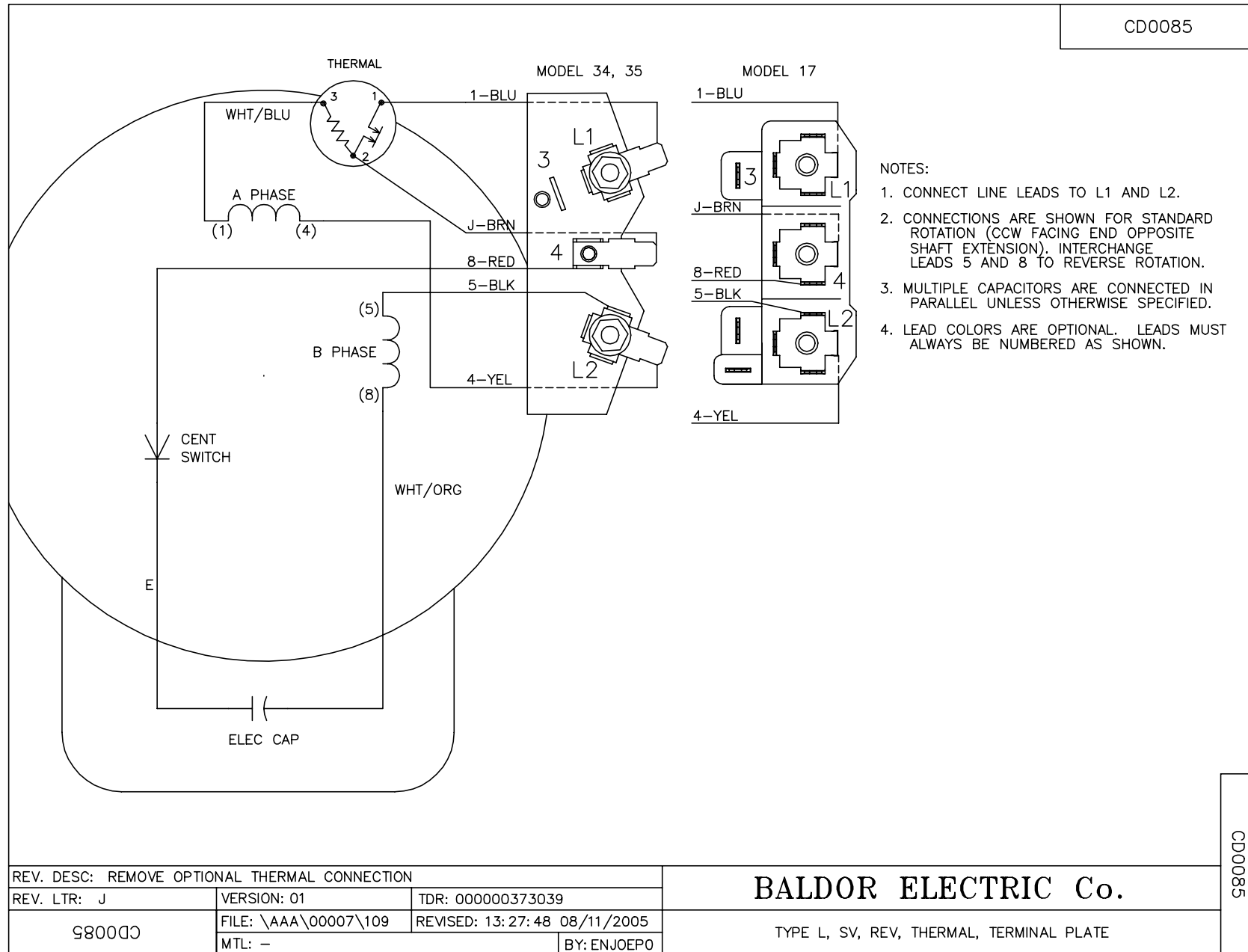


34L033

CUST. NAME		CUST. P.O.		CERTIFIED BY		MODEL		INSUL		AMB							
H.P.		MTG		TYPE		R.P.M.		VOLTS		ENCL		PHASE		FREQ		FRAME	
REMARKS:												<h2>BALDOR ELECTRIC Co.</h2> <p>STD RESIL OPEN 34L NEMA 56 TERM. PLATE W/LARGE CAPAC.</p>					
REV: B		UPDATE TO ACAD															
34L033		REF: 34K14		BY: FH		REVISED: 12/04/97		FILE: AAA00049503		TDR: 0138262							

34L033

CD0085



CD0085

REV. DESC: REMOVE OPTIONAL THERMAL CONNECTION		
REV. LTR: J	VERSION: 01	TDR: 000000373039
CD0085	FILE: \AAA\00007\109	REVISED: 13:27:48 08/11/2005
	MTL: -	BY: ENJOEPO

BALDOR ELECTRIC Co.

TYPE L, SV, REV, THERMAL, TERMINAL PLATE