

BALDOR® • RELIANCE

Product Information Packet

SUM77506-4

75HP, 1170RPM, 3PH, 60HZ, 360TY, TENV, FOOTLE

Part Detail							
Revision:	A	Status:	PRD/A	Change #:		Proprietary:	No
Type:	AC	Prod. Type:		Elec. Spec:	W00089-B-E001	CD Diagram:	416820-036
Enclosure:	TENV	Mfg Plant:		Mech. Spec:		Layout:	066930-060
Frame:	360TY	Mounting:	W6	Poles:	06	Created Date:	04-09-2015
Base:		Rotation:	R	Insulation:	F	Eff. Date:	09-29-2016
Leads:						Replaced By:	
Literature:		Elec. Diagram:					

Nameplate 000613007AC		
CLASS I GROUP	C D X	NO. <input type="text"/>
CLASS II GROUP	X X X	
OPERATING TEMP CODE	T3C	

Nameplate 000613007MN									
CAT NO	SUM77506-4	SPEC NO.	P36G2700						
HP	75	AMPS	90.9	VOLTS	460	DESIGN	B		
FRAME SIZE	X0360TY	RPM	1170	HZ	60	AMB	40	SF	1.15
D.E. BRG.	90BJ33J30X	PH	3	DUTY	15MIN	INSUL	F		
O.D.E. BRG.	50BC03JG30X	TYPE	P	ENCL	TENV	CODE	F		
		POWER FACTOR		NEMA-NOM-EFF					
		MAX CORR KVAR		GUARANTEED EFFICIENCY					
				NEMA NOM/CSA QUOTED EFF @			100% LOAD		
SER.NO.		MOTOR WEIGHT	1450	LBS.					
	*15 MIN IN AIR ;SUB. IN								
	SEWAGE / WATER ONLY MAXDEPTH								
	IN MANUAL; P36G2700D								

Nameplate 000613007MR									
CAT NO	SUM77506-4		SPEC NO.	P36G2700					
HP	75	AMPS	90.9	VOLTS	460		DESIGN	B	
FRAME SIZE	X0360TY		RPM	1170		HZ	60	AMB	40
D.E. BRG.	90BJ33J30X			PH	3		DUTY	15MIN	
O.D.E. BRG.	50BC03JG30X			TYPE	P		ENCL	TENV	
				POWER FACTOR			INSUL	F	
				MAX CORR KVAR			CODE	F	
							NEMA-NOM-EFF		
							GUARANTEED EFFICIENCY		
SER.NO.							NEMA NOM/CSA QUOTED EFF @	100% LOAD	
							MOTOR WEIGHT	1450	LBS.
	*15 MIN IN AIR ;SUB. IN								
	SEWAGE / WATER ONLY MAXDEPTH								
	IN MANUAL; P36G2700D								

Parts List		
Part Number	Description	Quantity
SA297284	SA P36G2700	1.000 EA
RA283481	RA P36G2700	1.000 EA
424476003WL	WIRING DIAGRAM MEDIUMA	1.000 EA
000613007AC	UL NAMEPLATE FOR HAZARDOUS LOCATIONS	1.000 EA
000613007MN	NP,MEDIUM AC,NO CERT,STD INDUSTRIAL	1.000 EA
000613007MR	NP, MEDIUM AC, CSA, STD INDUSTRIAL	1.000 EA
000692000EJ	NAME PLATE	1.000 EA
000901001AA	LABEL WARNING	1.000 EA
034692002AE	HCSPP 1/4" 304 S.S.	2.000 EA
032018018EG	HHCS 5/8-11X2-1/4 316 SS	8.000 EA
032130020EC	SHSCS 5/8-11X2-1/2 304	8.000 EA
032620020JD	HSSS 10-24X5/8L 304S.S.	1.000 EA
034141300AC	RETAINING RING	1.000 EA
064262008J	SEAL 360 SUBMERSIBLE	1.000 EA
034141325AC	RETAINING RING	1.000 EA
034692003AE	PPLG 3/8" 304 S.S.	2.000 EA
064262012G	SEAL	1.000 EA
413412004B	SUBM MOISTURE PROBE	2.000 EA
413412005X	LEAD WIRE ASSY	1.000 EA
413480001R	RESISTOR ASSEMBLY-BLANKET	1.000 EA
421900192FU	ORING	1.000 EA
421900240FU	ORING	1.000 EA
004824018AF	SHELL ROTELLA OIL 10W	7.311 LB
603762061A	BRASS,SLINGER,X360TY,EXI,7BY	1.000 EA

Parts List (continued)		
Part Number	Description	Quantity
801173002A	BRKT,DE,360SUB	1.000 EA
801174002A	MTGPLT 360 801174-1WCA	1.000 EA
032018006BM	HHCS 5/16-18X3/4 PLTGRN.	1.000 EA
004824007K	SPECIAL PAINT	0.100 EA
032018016EG	HHCS 5/8-11X2 316S.S.	4.000 EA
421900124FU	ORING	1.000 EA
700385014AA	CCA #2 25' 320/360	1.000 EA
033775004EA	DRSCR #6-1/4 304 S.S.	6.000 EA
034180024GD	KEY 1/2X1/2X3L 303 S.S.	1.000 EA
421900240FU	ORING	1.000 EA
801171002A	BRKT, ODE, 360 SUB	1.000 EA
004824015A	GREASE POLYREX EM	0.600 LB
032018010CG	HHCS 3/8-16X1-1/4L 316SS	3.000 EA
032018018EG	HHCS 5/8-11X2-1/4 316 SS	8.000 EA
B3630-9	SUBM THERMOSTAT TAG	1.000 EA
B-3664002	TAG, (NON REGREASABLE)	1.000 EA

REL. S.O.	FRAME	HP	TYPE	PHASE/ HERTZ	RPM	VOLTS
	365TY	75	P	3/60	1170	460
AMPS	DUTY	AMB °C/ INSUL.	S.F.	NEMA DESIGN	CODE LETTER	ENCL.
90.9	*	40/F	1.15	B	F	SUB
E/S	ROTOR	TEST S.O.	TEST DATE	STATOR RES. @25 °C OHMS (BETWEEN LINES)		
492384	418141074LE	---	---	.121		

PERFORMANCE


LOAD	HP	AMPERES	RPM	INPUT KW	POWER % FACTOR	EFFI- % CIENCY
NO LOAD	0	29.7	1200	1.08	4.56	0
1/4	18.8	36.9	1193	15.3	52.1	91.6
2/4	37.5	50.9	1185	29.9	73.7	93.6
3/4	56.2	69.5	1177	45.0	81.2	93.3
4/4	75.0	90.9	1168	60.7	83.8	92.3
5/4	93.7	114	1157	77.0	84.7	90.8

SPEED TORQUE

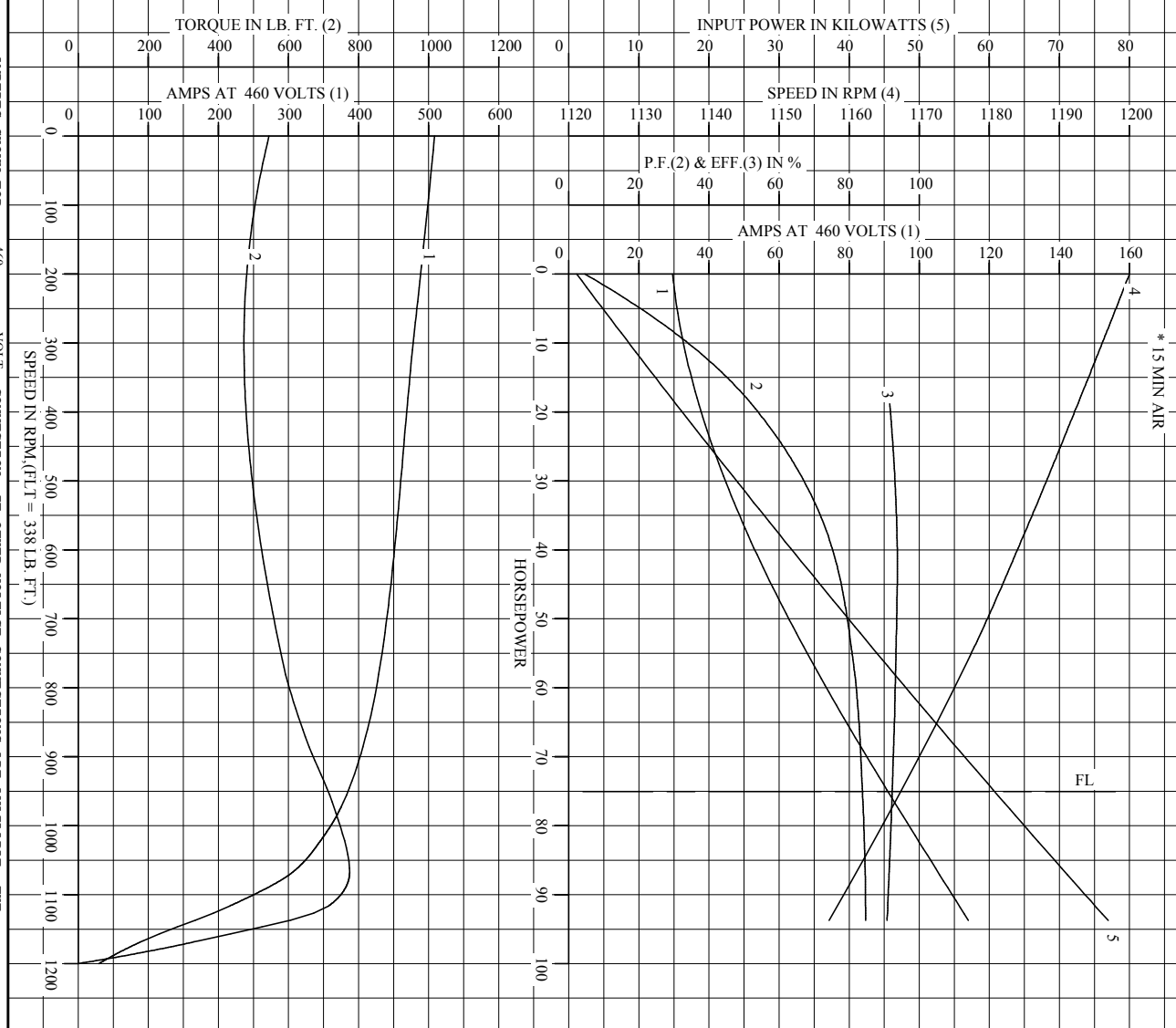
	RPM	TORQUE % FULL LOAD	TORQUE LB.-FT.	AMPERES
LOCKED ROTOR	0	161	544	508
PULL UP	300	140	473	478
BREAKDOWN	1068	229	774	306
FULL LOAD	1168	100	338	90.9

AMPERES SHOWN FOR 460. VOLT CONNECTION. IF OTHER VOLTAGE CONNECTIONS ARE AVAILABLE, THE AMPERES WILL VARY INVERSELY WITH THE RATED VOLTAGE

REMARKS: CALCULATED DATA
* 15 MIN AIR

 A MEMBER OF THE ABB GROUP	DR. BY D. M. BYRD	A-C MOTOR PERFORMANCE DATA W00089-B-E001 ISSUE DATE 07/09/04
	CK. BY T. S. WILLIAMS APP. BY D. M. BYRD DATE 07/09/04	

REL S.O. _____ RPM 1170 S.F. 1.15 ROTOR 4181410741E
 FRAME 365TYX VOLTS 460 NEMA DESIGN B TEST S.O. CALCULATED DATA
 HP 75 AMPS 90.9 CODE LETTER F TEST DATE ---
 TYPE P DUTY * ENCLOSURE SUB STATOR RES. @ 25 °C .121
 PHASE/HERTZ 3/60 AMB °C/INSUL 40/F E/S 492384 OHMS (BETWEEN LINES)



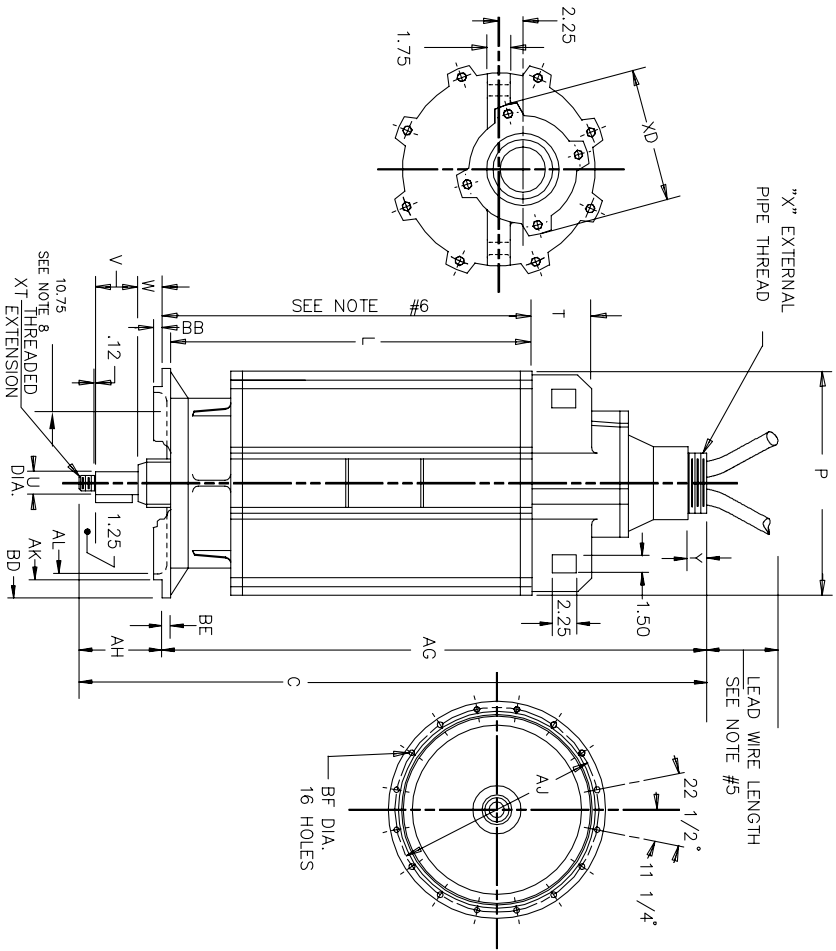
AMPERES SHOWN FOR 460 VOLT CONNECTION, IF OTHER VOLTAGE CONNECTIONS ARE AVAILABLE, THE AMPERES WILL VARY INVERSELY WITH THE RATED VOLTAGE.

BALDOR
 A MEMBER OF THE ABB GROUP
 DR. BY D.M. BYRD
 CK. BY T.S. WILLIAMS
 APP. BY D.M. BYRD
 DATE 07/09/04
A-C MOTOR PERFORMANCE CURVES
 W00089-B-E001
 ISSUE DATE 07/09/04

Printed on 11/4/11 12:38 @ r99

066930-060

DUTY MASTER ALTERNATING CURRENT MOTORS
 SQUIRREL-CAGE INDUCTION
 ENCLOSURE: TOTALLY ENCLOSED SUBMERSIBLE
 FRAME 360TY THRU L360TY



SEE NOTE #6
 SEE NOTE #8
 XT - EXTENSION
 DIMENSIONS ARE IN INCHES

1.)

FRAME	C	L	P	T	U (3)	V	W	AG	AH	AJ	AK (4)	AL
360TY	47.1	31.25	18.38	4.25	2.4997	3.19	2.12	43.25	6.56	18.75	17.500	15.25
L360TY	49.1	33.25	18.38	4.25	2.4997	3.19	2.12	45.25	6.56	18.75	17.500	15.25

1.)

FRAME	BB	BD (2)	BE	BF	XT	LEAD CONNECTION				B.E. KEY	
						X	Y	XD	SQ.	LGTH.	
360TY	.25	20.25	1.12	.69	1-1/2-13 - 8	1.25	10.88	.50	3.00		
L360TY	.25	20.25	1.12	.69	1-1/2-13 - 8	1.25	10.88	.50	3.00		

- 1.) SPECIAL DIMENSIONS APPLYING TO THIS ORDER ON THIS LINE.
 - 2.) "BP" VARIES +.010.
 - 3.) "U" VARIES +.0000, -.0005.
 - 4.) "AK" VARIES +.000, -.002
 - 5.) LEAD WIRE LENGTH AS SPECIFIED ON SALES ORDER.
 - 6.) MINIMAL SUBMERGED DEPTH.
- FACE RUNOUT AND ECCENTRICITY .008 MAX. T.I.R.
 PROTECTIVE CONDUIT FURNISHED BY CUSTOMER.

090-066990

CUSTOMER IS RESPONSIBLE FOR DETERMINING THAT BALDOR'S PRODUCT WILL PERFORM SUITABLY IN THE INTENDED APPLICATION.

REV. DESC: UPDATE NOTES, LOAD TO BUS	VERSION: 00	TDR: 000000921348
REV. LTR: -	REVISED: 09:19:59 04/20/2015	BY: RGGWT
FILE: \RGG\00024\962		
MTL: -		

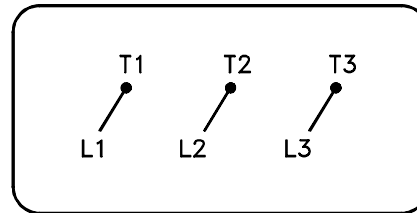
BALDOR

DIM SHT 360TY/L360TY SUBMERSIBLE

SH 1 of 1

416820-036

A-C MOTOR
 CONNECTION DIAGRAM
 STANDARD 3 LEAD CONNECTED



(N.P. 1575-BA)

416820-036

REV. DESC: LOADED TO BUS, C/R 335225		
REV. LTR: -	VERSION: 00	TDR: 000000538207
FILE: \MGA\00000\682	REVISED: 11:54:06 04/30/2010	
MTL: -	BY: RAGRA	

BALDOR

CONN DIAG - STANDARD 3 LEAD

SH 1 of 1

Marketing maintained PDF of MN414:

<http://www.baldor.com/support/Literature/Load.ashx/MN414?ManNumber=MN414>

