

BALDOR® • *RELIANCE*

Product Information Packet

VEDM3545

1HP,3450RPM,3PH,60HZ,56C,3420M,TEFC,F1,N

Part Detail							
Revision:	-	Status:	PRD/A	Change #:		Proprietary:	No
Type:	AC	Prod. Type:	3420M	Elec. Spec:	34WG3226	CD Diagram:	CD0005
Enclosure:	TEFC	Mfg Plant:		Mech. Spec:	34M809	Layout:	34LYM809
Frame:	56C	Mounting:	F1	Poles:	02	Created Date:	04-25-2016
Base:	N	Rotation:	R	Insulation:	F	Eff. Date:	05-18-2016
Leads:	9#18					Replaced By:	
Literature:		Elec. Diagram:					

Nameplate NP3560E										
CAT NO	VEDM3545									
SPEC.	34M809-3226G1						ENCL	TEFC		
FRAME	56C			HP		1				
VOLTS	230/460SFA 3.6/1.8									
FLA	3.2/1.6				I.P.	56				
RPM	3450			RPM MAX	5400					
HZ	60		PH	3		CLASS	F			
SER.F.	1.25		DES	B		CC	010A			
NEMA-NOM-EFF	77									
RATING	40C AMB-CONT									
DE BRG	6203			ODE BRG	6203					
GREASE	POLYREX EM									
C HP FR	60		C HP TO	90						
CT HZ FROM	6		CT HZ TO	60		VT HZ FROM	3		VT HZ TO	60
SER.NO	50C AT 1.0SF									

Parts List		
Part Number	Description	Quantity
SA320602	SA 34M809-3226G1	1.000 EA
RA308332	RA 34M809-3226G1	1.000 EA
S/P107-000-001	SUPER E PROC'S-FS, WS & CK PLTS	1.000 EA
NS2512A01	INSULATOR, CONDUIT BOX X	1.000 EA
34CB1000A01E	CONDUIT BOX, WASHDOWN, W/E-COATED	1.000 EA
34GS1017	GASKET, CONDUIT BOX MODEL 34 (BLACK NEOP	1.000 EA
51XB1016A07	10-16 X 7/16 HXWSSLD SERTYB	2.000 EA
11XW1032G06	10-32 X .38, TAPTITE II, HEX WSHR SLTD U	1.000 EA
34EP1100A137LP2	FRONT EP TEFC 203 BRG W/ SEAL	1.000 EA
HW4601A23	INPRO SEAL, 203 BRG, VBX	1.000 EA
HW4500A33	1/8 NPT STAINLESS,HOLO-KROME #13002,PRES	3.000 EA
HA4054	SHORT T-DRAIN FITTING, .125" N.P.T.	1.000 EA
HW5100A03SP	WAVY WASHER (W1543-017)	1.000 EA
34EP1300A35E	ENDPLATE, MACH W/E-COAT	1.000 EA
HW4606A01	JM CLIPPER/SEAL (WDE-0667-1064-BH49)	1.000 EA
HW4500A33	1/8 NPT STAINLESS,HOLO-KROME #13002,PRES	3.000 EA
HA4054	SHORT T-DRAIN FITTING, .125" N.P.T.	1.000 EA
12XN1032S20	10-32 X 1-1/4 HEX M.S. , STAINLESS STEEL	2.000 EA
34FN3002A01SP	EXTERNAL FAN, PLASTIC, .637/.639 HUB W/	1.000 EA
34FH4002A01LP2	IEC FH NO GREASER	1.000 EA
11XW1032S06	10-32 X .38, TAPTITE II, HEX WSHR SLTD U	3.000 EA
34CB4500E	CONDUIT BOX LID, E-COAT	1.000 EA
34GS1007	GASKET, CONDUIT BOX LID MODEL 34 (BLACK	1.000 EA
59XW0832S07	TAPTITE II,HEX WSHR UNSLTD SER,410 S.S.,	4.000 EA

Parts List (continued)		
Part Number	Description	Quantity
HW2502D13	SS KEY, 3/16 SQ X 1.375	1.000 EA
HA7000A04	KEY RETAINER 0.625 DIA SHAFTS	1.000 EA
MJ5001A02	732 CL SEALANT 3 OZ DIXIE BEARING 289100	0.001 EA
LB1164	LABEL,WARNING AND DRAIN	1.000 EA
MJ5001A23	P.D. GEORGE B-276 AIR DRY VARNISH	0.001 GA
LB1000	LABEL, DIRTY DUTY	1.000 EA
HW3001B01	BRASS CUP WASHER, FOR #8 SCREW	1.000 EA
WD1000D21	TRM,T&B #B71M,RING,18-14,.25,NON-INSL	9.000 EA
10XF0440S02	04-40 X 1/8 TYPE F HEX HD STAINLESS STIC	2.000 EA
MG2000A17	RUST INHIBITOR PART # SRPO #20	0.001 GA
MG1025L01	WILKOFAS FD, 786.04, BLACK	0.014 GA
MG1500Y02	PRIMER,347.29+347.29C ACTIVATOR WILKOPON	0.010 GA
HA3100S13	THRUBOLT 10X32 X 8.00 302 OR 303 SS	4.000 EA
MN416A01	TAG-INSTAL-MAINT no wire (1200/bx) 11/14	1.000 EA
LC0005	CONN.DIA.,TY M,9-LD,DUAL VOLT,REVERSING	1.000 EA
NP3560E	SS DIRTY DUTY PLUS INV UL CSA-C US EEV 2	1.000 EA
35PA1000	PKG GRP, PRINT PK1008A06	1.000 EA
PK3083T	STYROFOAM PACKING CRADLE W/TAPE	1.000 EA

AC Induction Motor Performance Data

Record # 55785 - Typical performance - not guaranteed values

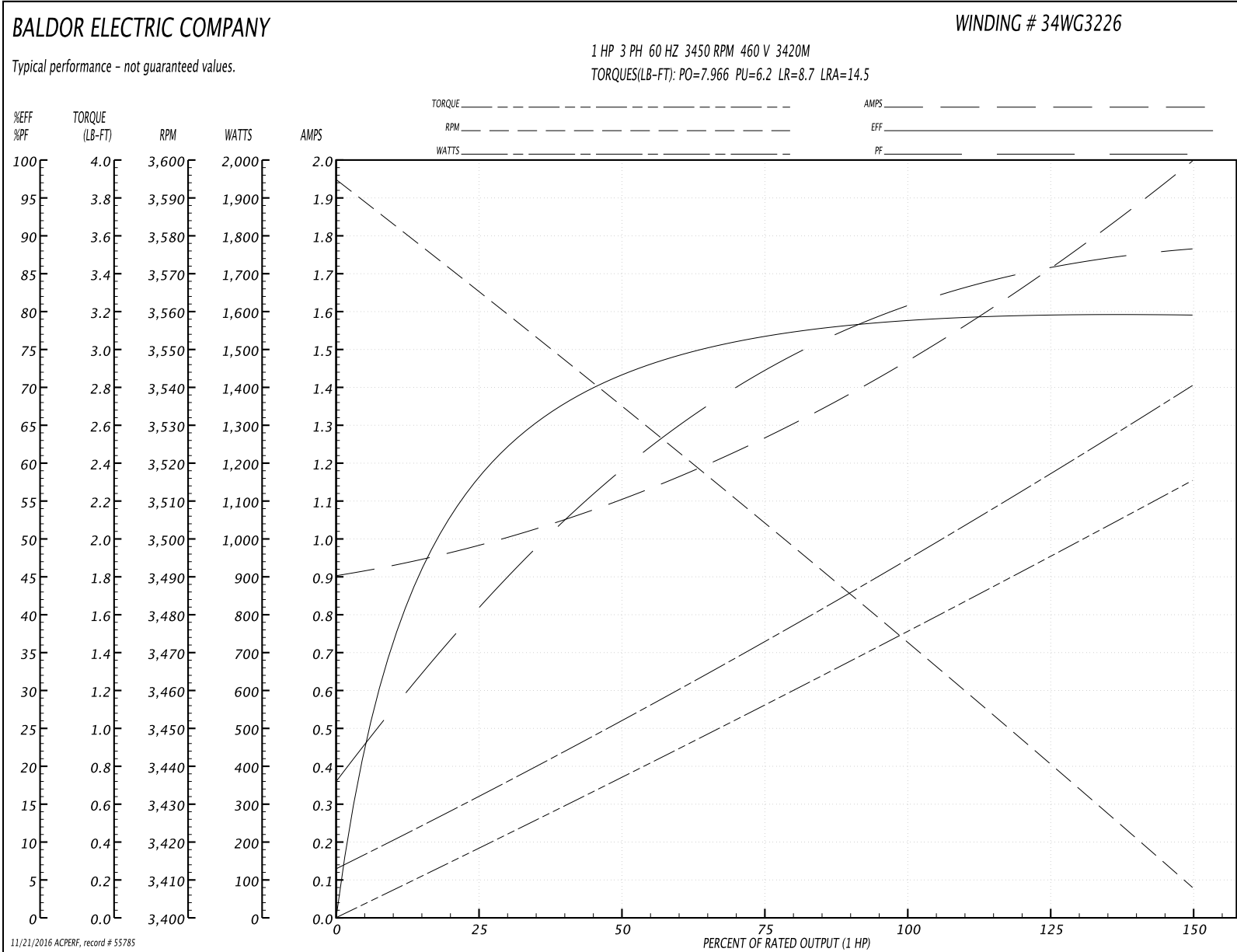
Winding: 34WG3226-R063	Type: 3420M	Enclosure: TEFC
-------------------------------	--------------------	------------------------

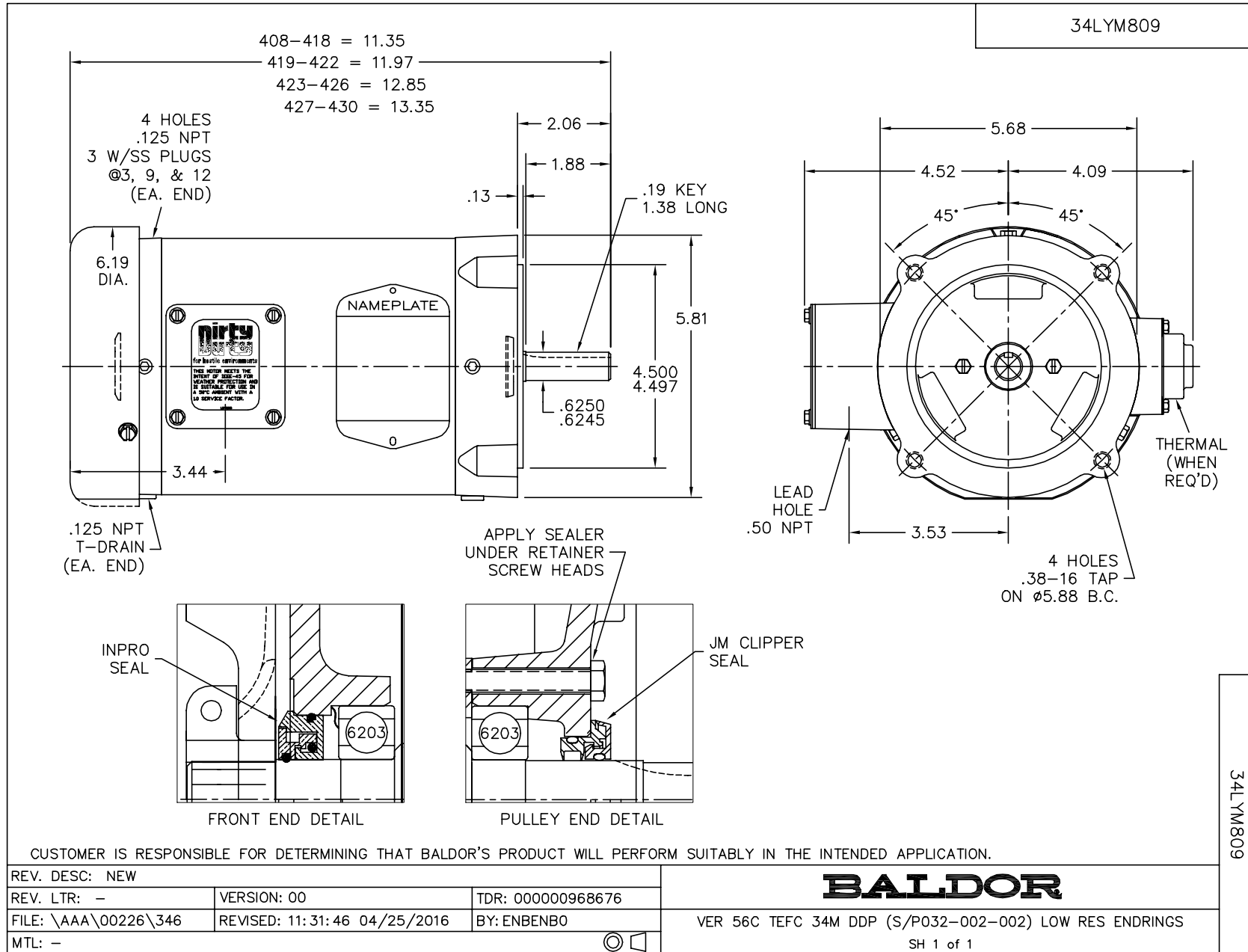
Nameplate Data				460 V, 60 Hz: High Voltage Connection	
Rated Output (HP)	1			Full Load Torque	1.51 LB-FT
Volts	230/460			Start Configuration	direct on line
Full Load Amps	3.2/1.6			Breakdown Torque	7.966 LB-FT
R.P.M.	3450			Pull-up Torque	6.2 LB-FT
Hz	60	Phase	3	Locked-rotor Torque	8.7 LB-FT
NEMA Design Code	B	KVA Code	L	Starting Current	14.5 A
Service Factor (S.F.)	1.25			No-load Current	0.913 A
NEMA Nom. Eff.	77	Power Factor	82	Line-line Res. @ 25°C	13.6 Ω
Rating - Duty	40C AMB-CONT			Temp. Rise @ Rated Load	55°C
S.F. Amps	3.6/1.8			Temp. Rise @ S.F. Load	74°C

Load Characteristics 460 V, 60 Hz, 1 HP

% of Rated Load	25	50	75	100	125	150	S.F.
Power Factor	41	59	72	80	85	89	87
Efficiency	57.7	71.5	77.1	79.3	79.9	79.7	79.8
Speed	3560	3536	3506	3475	3445	3406	3422
Line amperes	0.967	1.09	1.27	1.47	1.7	1.99	1.87

Performance Graph at 460V, 60Hz, 1.0HP Typical performance - Not guaranteed values





CD0005



LOW VOLTAGE
(2Y)



LINE

HIGH VOLTAGE
(1Y)



LINE

NOTES:

1. INTERCHANGE ANY TWO LINE LEADS TO REVERSE ROTATION.
2. OPTIONAL THERMOSTATS ARE PROVIDED WHEN SPECIFIED.
3. ACTUAL NUMBER OF INTERNAL PARALLEL CIRCUITS MAY BE A MULTIPLE OF THOSE SHOWN ABOVE.
4. LEAD COLORS ARE OPTIONAL. LEADS MUST ALWAYS BE NUMBERED AS SHOWN.

REV. DESC: REVISE TO SHOW OPTIONAL COLORS			
REV. LTR: E	BY: JLP	REVISED: 01/19/99 10:15	TDR: 0171435
900000		FILE: AAA00005140	MDL: -
		MTL: -	

BALDOR ELECTRIC Co.

3PH, DV, 9 LEADS

CD0005