

# **BALDOR**® • **RELIANCE**

## **Product Information Packet**

### **VEJMM3311T**

**7.5HP,1770RPM,3PH,60HZ,213JM,3734M,ODP,F**

Part Detail							
Revision:	R	Status:	PRD/A	Change #:		Proprietary:	No
Type:	AC	Prod. Type:	3734M	Elec. Spec:	37WGS186	CD Diagram:	CD0005
Enclosure:	ODTF	Mfg Plant:		Mech. Spec:	37Q027	Layout:	37LYQ027
Frame:	213JM	Mounting:	F1	Poles:	04	Created Date:	07-12-2007
Base:	N	Rotation:	R	Insulation:	F	Eff. Date:	07-25-2016
Leads:	9#14					Replaced By:	
Literature:		Elec. Diagram:					

Nameplate NP1259L										
CAT.NO.	VEJMM3311T									
SPEC.	37Q027S186G1									
HP	7.5									
VOLTS	230/460									
AMP	19.2/9.6									
RPM	1770									
FRAME	213JM				HZ	60			PH	3
SER.F.	1.15		CODE	J	DES	A		CL	F	
NEMA-NOM-EFF	91		PF	79						
RATING	40C AMB-CONT									
CC	010A				USABLE AT 208V			21		
DE	6309				ODE	6206				
ENCL	ODTF		SN							

Parts List		
Part Number	Description	Quantity
SA161238	SA 37Q027S186G1	1.000 EA
RA149802	RA 37Q027S186G1	1.000 EA
S/P107-000-001	SUPER E PROC'S-FS, WS & CK PLTS	1.000 EA
HW3200A01	3/8-16X3/4 I-BLT WELDED F/S	1.000 EA
37CB3006	37 CB CASTING W/1.38 LEAD HOLE @ 6:00	1.000 EA
51XW2520A10	.25-20 X .62, TAPTITE II, HEX WSHR SLTD	2.000 EA
11XW1032G06	10-32 X .38, TAPTITE II, HEX WSHR SLTD U	1.000 EA
37FE3200A38	FR ENDPLATE, FOR ROUTING PURPOSES	1.000 EA
HW4500A01	1641B(ALEMITE)400 UNIV, GREASE FITT	1.000 EA
HW5100A06	W2420-025 WVY WSHR (WB)	1.000 EA
37EP3401A03	PUEP OPEN 309 BRG W/BAFFLE, GRS	1.000 EA
37AD2000A02	BAFFLE PLATE, STAMPED PLATED	1.000 EA
60XW0632A06	6-32 X 3/8 TORX HEAD SCREW TAPTITE II	4.000 EA
HW4500A01	1641B(ALEMITE)400 UNIV, GREASE FITT	1.000 EA
10XN2520A36	1/4-20X 2 1/4 HEX HD X	4.000 EA
HW1001A25	LOCKWASHER 1/4, ZINC PLT .493 OD, .255 I	4.000 EA
XY3118A12	5/16-18 HEX NUT DIRECTIONAL SERRATION	4.000 EA
HW4600A73	SLINGER 1.748 X 2.375 X 0.250 FACE SEAL	1.000 EA
37CB4516	LIPPED LID FOR 37 FRAME NEC KOBX	1.000 EA
51XB1214A20	12-14X1.25 HXWSSLD SERTYB	1.000 EA
07FH4004A05	SPL 307 DRIP COVER ODTF LESS GRILLE,	1.000 EA
HA3218A05	M/FE STANDOFF UNIC#SX1043.25-20 .38 HEX	3.000 EA
10XN2520A06	1/4 20X3/8 HX HD CAP	3.000 EA
HW1001A25	LOCKWASHER 1/4, ZINC PLT .493 OD, .255 I	3.000 EA

<b>Parts List (continued)</b>		
<b>Part Number</b>	<b>Description</b>	<b>Quantity</b>
51XW0832A07	8-32 X .44, TAPTITE II, HEX WSHR SLTD SE	4.000 EA
HW2501D13	KEY, 3/16 SQ X 1.375	1.000 EA
HA7000A01	KEY RETAINER 7/8" DIA SHAFT	1.000 EA
85XU0407S04	4X1/4 U DRIVE PIN STAINLESS	2.000 EA
LB1115N	LABEL,LIFTING DEVICE (ON ROLLS)	1.000 EA
MJ1000A02	GREASE, POLYREX EM EXXON (USe 4824-15A)	0.050 LB
37FN3002A01SP	EXFN, PLASTIC, 9.00 OD, 1.155 ID	1.000 EA
MG1000Y03	MUNSELL 2.53Y 6.70/ 4.60, GLOSS 20,	0.028 GA
HA3104A14	THRUBOLT- 5/16-18 X12.125(OHIO)	4.000 EA
LC0005E01	CONN.DIA./WARNING LABEL (LC0005/LB1119N)	1.000 EA
NP1259L	ALUM SUPER-E UL CSA-EEV CC NEMA PREMIUM	1.000 EA
G0PA1000	PKG GRP, PRINT PK1026A06	1.000 EA
PK3082	STYROFOAM CRADLE	1.000 EA
MN416A01	TAG-INSTAL-MAINT no wire (1200/bx) 11/14	1.000 EA

**AC Induction Motor Performance Data**

Record # 31194 - Typical performance - not guaranteed values

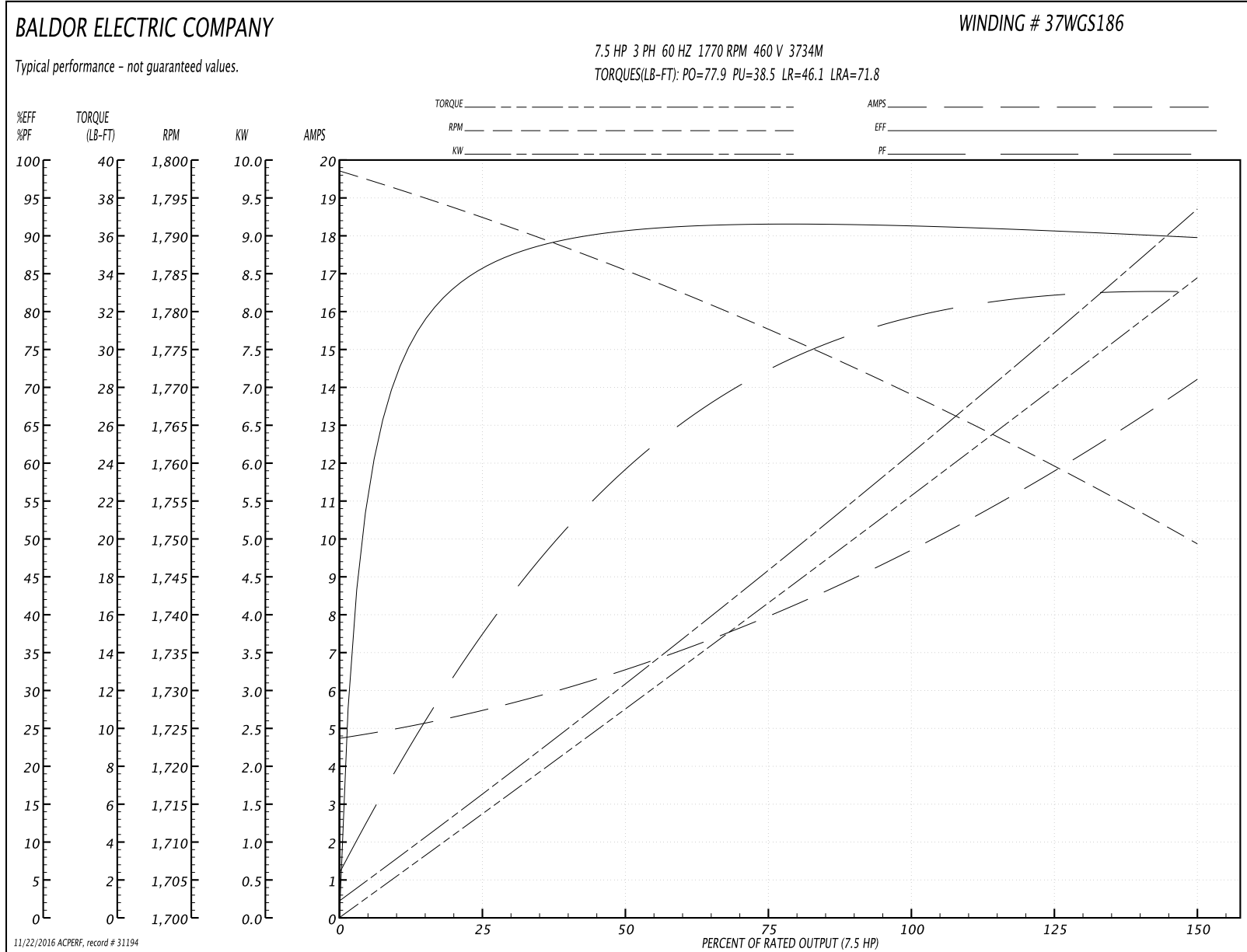
<b>Winding:</b> 37WGS186-R010	<b>Type:</b> 3734M	<b>Enclosure:</b> ODTF
-------------------------------	--------------------	------------------------

Nameplate Data				460 V, 60 Hz: High Voltage Connection	
Rated Output (HP)	7.5			Full Load Torque	22.4 LB-FT
Volts	230/460			Start Configuration	direct on line
Full Load Amps	19.2/9.6			Breakdown Torque	77.9 LB-FT
R.P.M.	1770			Pull-up Torque	38.5 LB-FT
Hz	60	Phase	3	Locked-rotor Torque	46.1 LB-FT
NEMA Design Code	A	KVA Code	J	Starting Current	71.8 A
Service Factor (S.F.)	1.15			No-load Current	4.88 A
NEMA Nom. Eff.	91	Power Factor	79	Line-line Res. @ 25°C	1.41 Ω
Rating - Duty	40C AMB-CONT			Temp. Rise @ Rated Load	36°C
S.F. Amps				Temp. Rise @ S.F. Load	44°C
				Locked-rotor Power Factor	37.7
				Rotor inertia	0.836 LB-FT <sup>2</sup>

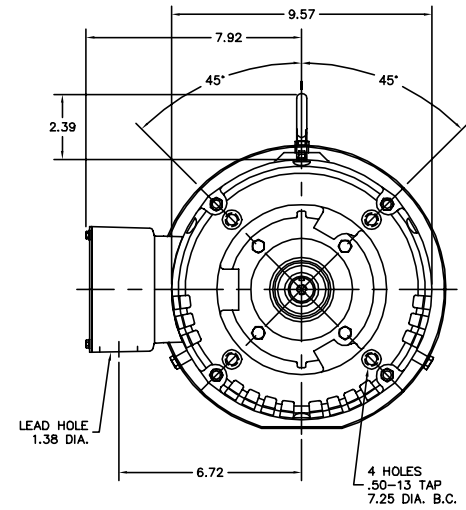
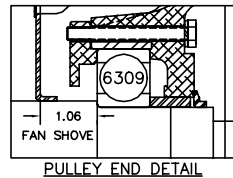
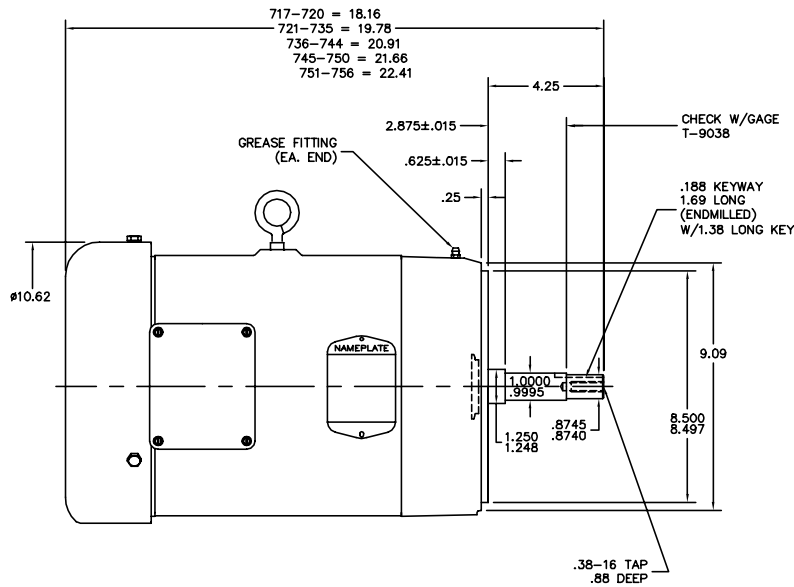
Load Characteristics 460 V, 60 Hz, 7.5 HP

% of Rated Load	25	50	75	100	125	150	S.F.
Power Factor	38	61	72	78	81	83	81
Efficiency	85.4	90.4	91.7	91.5	90.7	89.8	91
Speed	1792	1785	1778	1769	1760	1749	1767
Line amperes	5.29	6.46	7.98	9.86	11.9	14.1	10.9

Performance Graph at 460V, 60Hz, 7.5HP Typical performance - Not guaranteed values



37LYQ027



CUSTOMER IS RESPONSIBLE FOR DETERMINING THAT MOTOR PERFORMANCE IS SUITABLE IN THE APPLICATION.

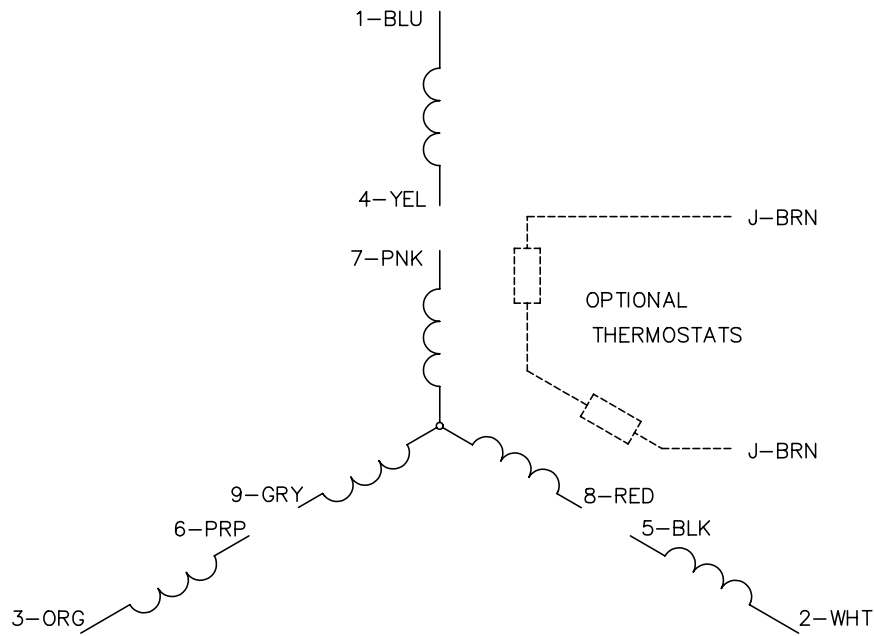
REV. DESC:	37EP3401A03 WAS 37EP3401A02
REV. LTR:	N BY: EAO REVISED: 08:23:56 02/27/2001 TDR: 231229
FILE:	AAA00017669 REF: 37LYQ027
MTL:	-

**BALDOR ELECTRIC Co.**

VERT 213-5JM OPEN M W/DRIP CVR & EXFN

37LYQ027

CD0005

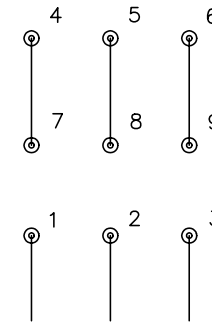


LOW VOLTAGE  
(2Y)



LINE

HIGH VOLTAGE  
(1Y)



LINE

NOTES:

1. INTERCHANGE ANY TWO LINE LEADS TO REVERSE ROTATION.
2. OPTIONAL THERMOSTATS ARE PROVIDED WHEN SPECIFIED.
3. ACTUAL NUMBER OF INTERNAL PARALLEL CIRCUITS MAY BE A MULTIPLE OF THOSE SHOWN ABOVE.
4. LEAD COLORS ARE OPTIONAL. LEADS MUST ALWAYS BE NUMBERED AS SHOWN.

REV. DESC: REVISE TO SHOW OPTIONAL COLORS			
REV. LTR: E	BY: JLP	REVISED: 01/19/99 10:15	TDR: 0171435
90000		FILE: AAA00005140	MDL: -
		MTL: -	

**BALDOR ELECTRIC Co.**

3PH, DV, 9 LEADS

CD0005