

BALDOR® • **RELIANCE**

Product Information Packet

VEM3155T

2HP,3450RPM,3PH,60HZ,143TC,3524M,ODP,F1

Part Detail							
Revision:	D	Status:	PRD/A	Change #:		Proprietary:	No
Type:	AC	Prod. Type:	3524M	Elec. Spec:	35WGS095	CD Diagram:	CD0005
Enclosure:	ODP	Mfg Plant:		Mech. Spec:	35Z413	Layout:	35LYZ413
Frame:	143TC	Mounting:	F1	Poles:	02	Created Date:	04-24-2015
Base:	N	Rotation:	R	Insulation:	F	Eff. Date:	11-09-2016
Leads:	9#18					Replaced By:	
Literature:		Elec. Diagram:					

Nameplate NP3553L										
CAT.NO.	VEM3155T									
SPEC.	35Z413S095G1									
HP	2									
VOLTS	230/460									
AMP	5/2.5									
RPM	3450									
FRAME	143TC			HZ	60				PH	3
SER.F.	1.15		CODE	K		DES	B		CL	F
NEMA-NOM-EFF	86.5		PF	90						
RATING	40C AMB-CONT									
CC	010A					USABLE AT 208V	5.5			
DE	6205			ODE	6203					
ENCL	ODP		SN							
VPWM INVERTER READY										
CT30-60(2:1) VT3-60(20:1)										

Parts List		
Part Number	Description	Quantity
SA299635	SA 35Z413S095G1	1.000 EA
RA286663	RA 35Z413S095G1	1.000 EA
S/P107-000-001	SUPER E PROC'S-FS, WS & CK PLTS	1.000 EA
NS2512A01	INSULATOR, CONDUIT BOX X	1.000 EA
35CB3009	35 CB W/1.09 DIA. LEAD HOLE @ 6:	1.000 EA
51XB1016A07	10-16 X 7/16 HXWSSLD SERTYB	2.000 EA
11XW1032G06	10-32 X .38, TAPTITE II, HEX WSHR SLTD U	1.000 EA
35EP3201A85	35 FREP W/DRIP COVER & GREASER	1.000 EA
HW4500A01	1641B(ALEMITE)400 UNIV, GREASE FITT	1.000 EA
HW5100A03SP	WAVY WASHER (W1543-017)	1.000 EA
35EP3400A14	SPL FACE MTD END PLATE - OPEN-143-5TC-05	1.000 EA
35AD2000	AIR BAFFLE	1.000 EA
60XW0632A06	6-32 X 3/8 TORX HEAD SCREW TAPTITE II	4.000 EA
HW4500A01	1641B(ALEMITE)400 UNIV, GREASE FITT	1.000 EA
51XN1032A20	10-32 X 1 1/4 HX WS SL SR	2.000 EA
35FH4006A09	DRIP COVER W/FLAT, W/ PRIMER	1.000 EA
51XW1032A06	10-32 X .38, TAPTITE II, HEX WSHR SLTD S	2.000 EA
35CB4521	35 LIPPED CB LID (GALV & PHOSPH)	1.000 EA
51XW0832A07	8-32 X .44, TAPTITE II, HEX WSHR SLTD SE	4.000 EA
HW2501D13	KEY, 3/16 SQ X 1.375	1.000 EA
HA7000A01	KEY RETAINER 7/8" DIA SHAFT	1.000 EA
85XU0407S04	4X1/4 U DRIVE PIN STAINLESS	2.000 EA
MJ1000A02	GREASE, POLYREX EM EXXON (USe 4824-15A)	0.050 LB
MG1000Y03	MUNSELL 2.53Y 6.70/ 4.60, GLOSS 20,	0.017 GA

Parts List (continued)		
Part Number	Description	Quantity
HA3100A15	THRUBOLT 10-32 X 8.375	4.000 EA
LC0005E01	CONN.DIA./WARNING LABEL (LC0005/LB1119N)	1.000 EA
NP3553L	ALUM SUPER-E VPWM INVERTER READY UL	1.000 EA
MN416A01	TAG-INSTAL-MAINT no wire (1200/bx) 11/14	1.000 EA
36PA1000	PKG GRP, PRINT PK1016A06	1.000 EA
PK3082	STYROFOAM CRADLE	1.000 EA

AC Induction Motor Performance Data

Record # 53136 - Typical performance - not guaranteed values

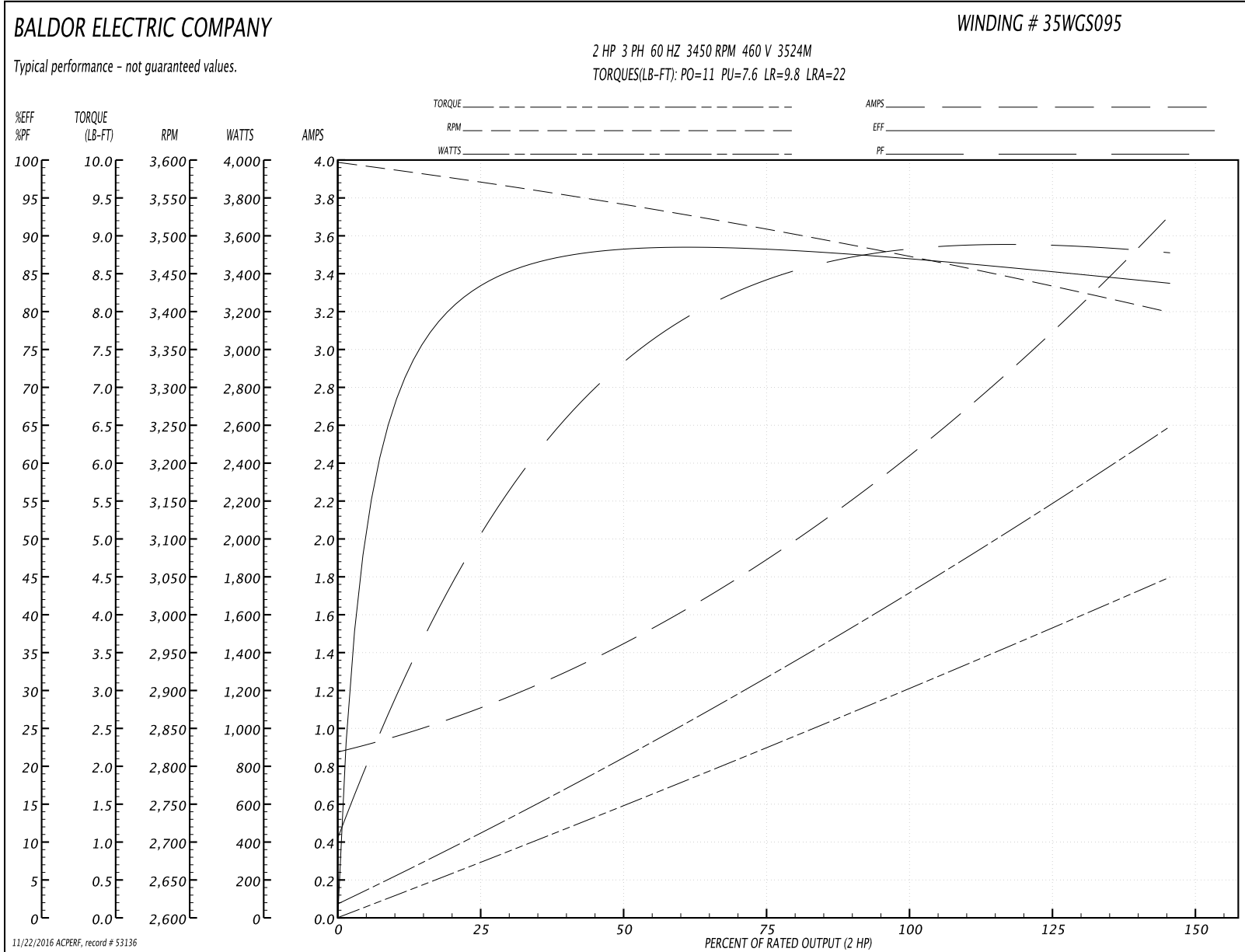
Winding: 35WGS095-R007	Type: 3524M	Enclosure: OPSB
-------------------------------	--------------------	------------------------

Nameplate Data				460 V, 60 Hz: High Voltage Connection	
Rated Output (HP)	2			Full Load Torque	3 LB-FT
Volts	230/460			Start Configuration	direct on line
Full Load Amps	5/2.5			Breakdown Torque	11 LB-FT
R.P.M.	3450			Pull-up Torque	7.6 LB-FT
Hz	60	Phase	3	Locked-rotor Torque	9.8 LB-FT
NEMA Design Code	B	KVA Code	K	Starting Current	22 A
Service Factor (S.F.)	1.15			No-load Current	0.9 A
NEMA Nom. Eff.	86.5	Power Factor	90	Line-line Res. @ 25°C	7.37 Ω
Rating - Duty	40C AMB-CONT			Temp. Rise @ Rated Load	23°C
S.F. Amps				Temp. Rise @ S.F. Load	28°C
				Locked-rotor Power Factor	48.6
				Rotor inertia	0.0664 LB-FT ²

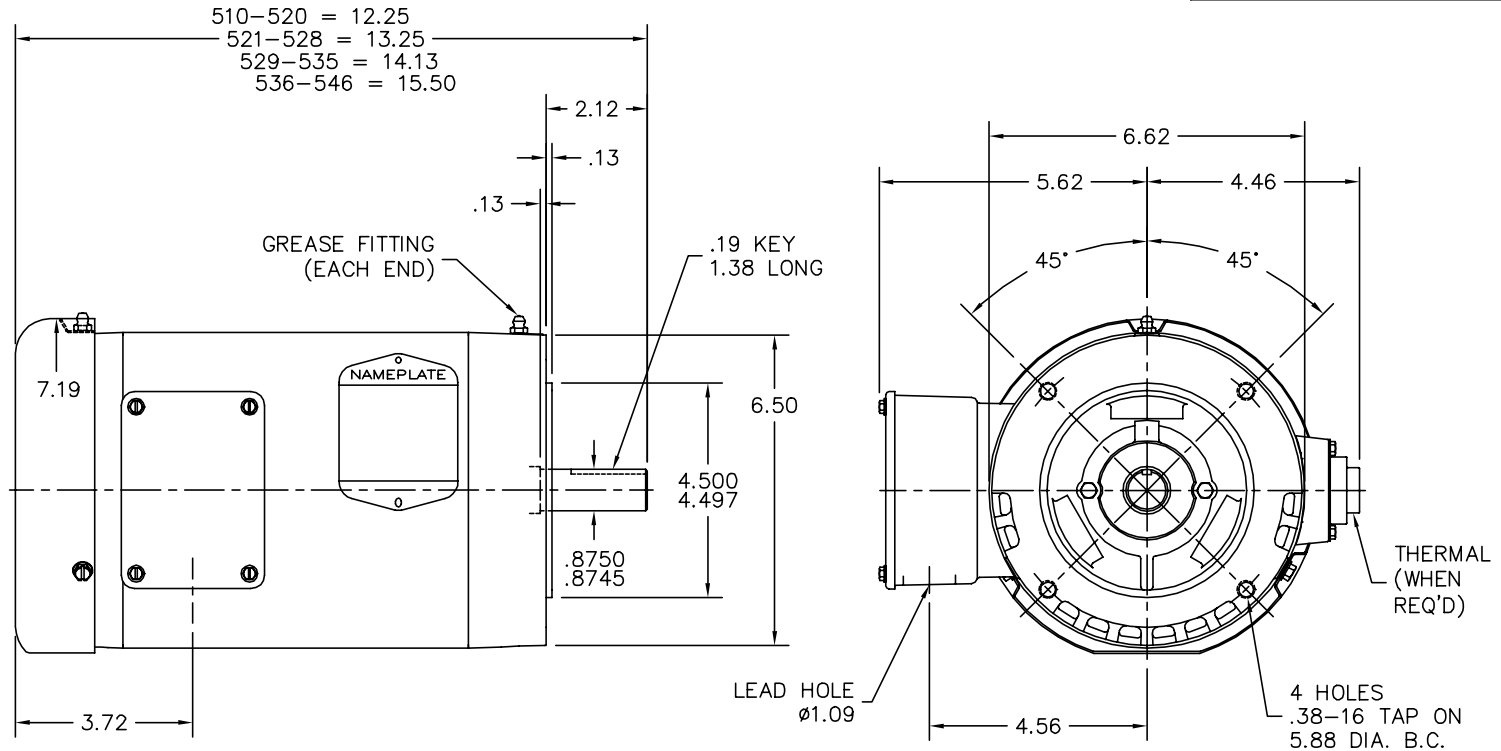
Load Characteristics 460 V, 60 Hz, 2 HP

% of Rated Load	25	50	75	100	125	150	S.F.
Power Factor	52	77	84	85	89	88	87
Efficiency	83.8	87.8	88.1	87.2	85.6	83.6	86.2
Speed	3569	3540	3509	3475	3438	3398	3453
Line amperes	1.1	1.4	1.9	2.5	3	3.7	2.8

Performance Graph at 460V, 60Hz, 2.0HP Typical performance - Not guaranteed values



35LYZ413



CUSTOMER IS RESPONSIBLE FOR DETERMINING THAT BALDOR'S PRODUCT WILL PERFORM SUITABLY IN THE INTENDED APPLICATION.

REV. DESC: UPDATE FREP, CHANGE TO MATCH BOM (35EP3201A85)		
REV. LTR: A	VERSION: 01	TDR: 00000988236
FILE: \AAA\00179\600	REVISED: 05:13:53 07/15/2016	BY: ENMAIYO
MTL: -	☉ □	

BALDOR

VERT 143-5TC OPEN 35M W/1.09 LEAD HOLE & DRIP COVER

SH 1 of 1

35LYZ413

CD0005



LOW VOLTAGE
(2Y)



LINE

HIGH VOLTAGE
(1Y)



LINE

NOTES:

1. INTERCHANGE ANY TWO LINE LEADS TO REVERSE ROTATION.
2. OPTIONAL THERMOSTATS ARE PROVIDED WHEN SPECIFIED.
3. ACTUAL NUMBER OF INTERNAL PARALLEL CIRCUITS MAY BE A MULTIPLE OF THOSE SHOWN ABOVE.
4. LEAD COLORS ARE OPTIONAL. LEADS MUST ALWAYS BE NUMBERED AS SHOWN.

REV. DESC: REVISE TO SHOW OPTIONAL COLORS			
REV. LTR: E	BY: JLP	REVISED: 01/19/99 10:15	TDR: 0171435
90000		FILE: AAA00005140	MDL: -
		MTL: -	

BALDOR ELECTRIC Co.

3PH, DV, 9 LEADS

CD0005