

BALDOR® • **RELIANCE**

Product Information Packet

VEM3584T-5

1.5HP, 1765RPM, 3PH, 60HZ, 145TC, 0526M, TEFC

Part Detail							
Revision:	D	Status:	PRD/A	Change #:		Proprietary:	No
Type:	AC	Prod. Type:	0526M	Elec. Spec:	05WGX250	CD Diagram:	CD0006
Enclosure:	TEFC	Mfg Plant:		Mech. Spec:	05C053	Layout:	05LYC053
Frame:	145TC	Mounting:	F1	Poles:	04	Created Date:	05-15-2012
Base:	N	Rotation:	R	Insulation:	F	Eff. Date:	10-16-2015
Leads:	3#18					Replaced By:	
Literature:		Elec. Diagram:					

Nameplate NP3441L										
CAT.NO.	VEM3584T-5									
SPEC.	05C053X250G1									
HP	1.5									
VOLTS	575									
AMP	1.8									
RPM	1765									
FRAME	145TC		HZ	60				PH	3	
SER.F.	1.15		CODE	M		DES	B		CL	F
NEMA-NOM-EFF	86.5		PF	71						
RATING	40C AMB-CONT									
CC	010A					USABLE AT 208V				
DE	6205		ODE	6203						
ENCL	TEFC		SN							
VPWM INVERTER READY										
CT6-60H(10:1)VT3-60H(20:1)										

Parts List		
Part Number	Description	Quantity
SA244909	SA 05C053X250G1	1.000 EA
RA231796	RA 05C053X250G1	1.000 EA
34FN3002B01	EXTERNAL FAN, PLASTIC, .637/.639 HUB W/	1.000 EA
06CB3000	BALDOR CONDUIT BOX CAST	1.000 EA
06GS1000	GASKET,CONDUIT BOX	1.000 EA
51XW2520A12	SCREW, HEX SER SLT HD, ZN, 1/4-20 X .75	2.000 EA
51XW2520A12	.25-20 X .75, TAPTITE II, HEX WSHR SLTD	2.000 EA
11XW1032G06	10-32 X .38, TAPTITE II, HEX WSHR SLTD U	1.000 EA
HW3001B01	BRASS CUP WASHER, FOR #8 SCREW	1.000 EA
35EP1100A02	FR ENDPLATE, TEFC W/GREASER	1.000 EA
HW4500A01	1641B(ALEMITE)400 UNIV, GREASE FITT	1.000 EA
HW5100A03SP	WAVY WASHER (W1543-017)	1.000 EA
35EP1329A01	PU EP ENCL 143-5TC 205 BRG W/GRSR & STD	1.000 EA
HW4500A01	1641B(ALEMITE)400 UNIV, GREASE FITT	1.000 EA
51XN1032A20	10-32 X 1 1/4 HX WS SL SR	2.000 EA
HA3100A28	THRUBOLT 10-32 X 8.187	4.000 EA
51XB1214A16	12-14X1.00 HXWSSLD SERTYB	1.000 EA
35FH4005A02	IEC FH W/GREASER - W/PRIMER	1.000 EA
51XW1032A06	10-32 X .38, TAPTITE II, HEX WSHR SLTD S	3.000 EA
06CB3500	BALDOR CONDUIT BOX LID	1.000 EA
06GS1001	BALDOR CONDUIT BOX GASKET	1.000 EA
HW2501D13	KEY, 3/16 SQ X 1.375	1.000 EA
HA7000A01	KEY RETAINER 7/8" DIA SHAFT	1.000 EA
85XU0407S04	4X1/4 U DRIVE PIN STAINLESS	2.000 EA

Parts List (continued)		
Part Number	Description	Quantity
MJ1000A02	GREASE, POLYREX EM EXXON (USe 4824-15A)	0.050 LB
MG1000Y03	MUNSELL 2.53Y 6.70/ 4.60, GLOSS 20,	0.022 GA
LB1119N	WARNING LABEL	1.000 EA
LC0006	CONNECTION LABEL	1.000 EA
NP3441L	ALUM SUPER-E VPWM INVERTER READY UL	1.000 EA
36PA1000	PKG GRP, PRINT PK1016A06	1.000 EA
PK3082	STYROFOAM CRADLE	1.000 EA
MN416A01	TAG-INSTAL-MAINT no wire (1200/bx) 11/14	1.000 EA

AC Induction Motor Performance Data

Record # 38408 - Typical performance - not guaranteed values

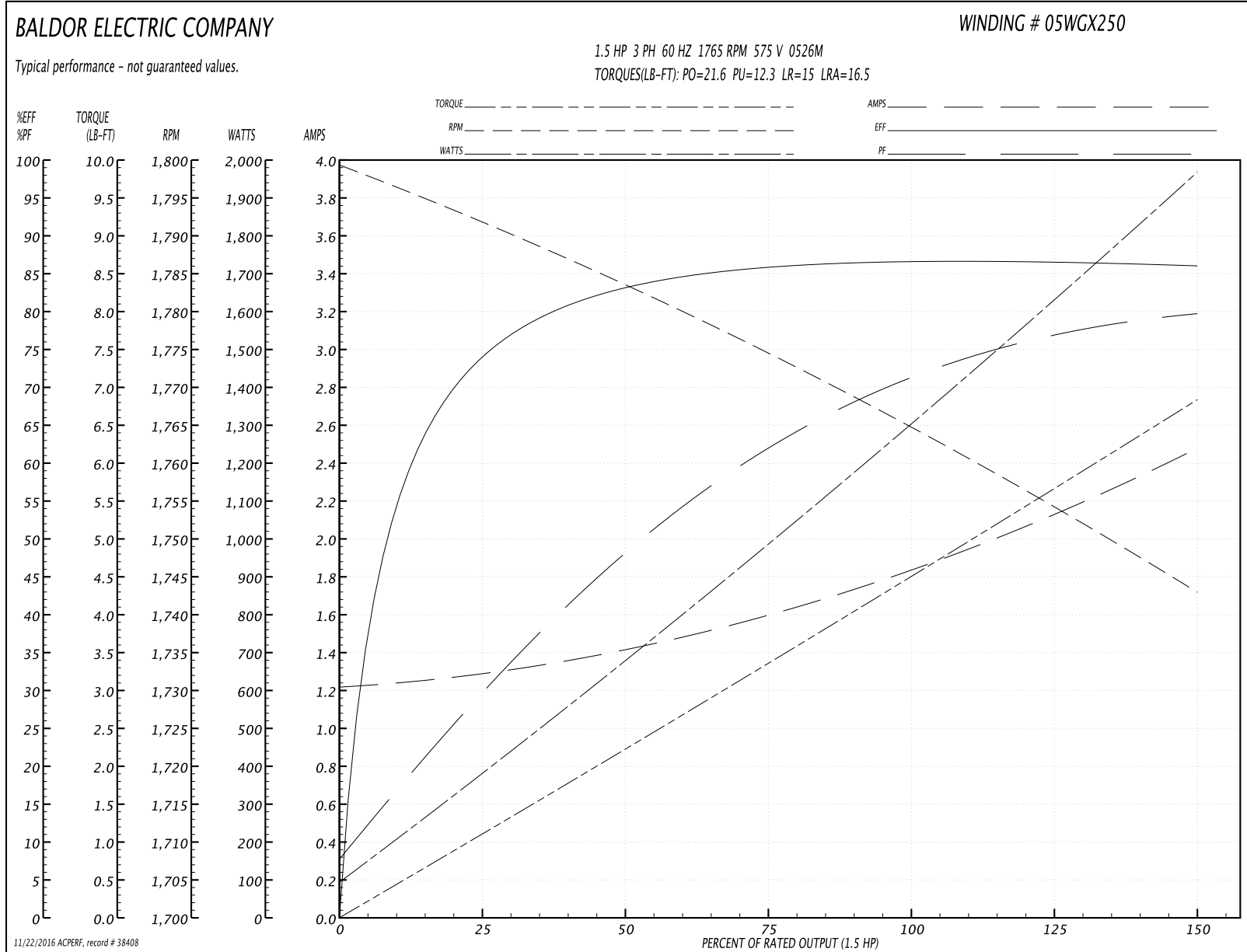
Winding: 05WGX250-R001	Type: 0526M	Enclosure: TEFC
-------------------------------	--------------------	------------------------

Nameplate Data				575 V, 60 Hz: Single Voltage Motor	
Rated Output (HP)	1.5			Full Load Torque	4.54 LB-FT
Volts	575			Start Configuration	direct on line
Full Load Amps	1.8			Breakdown Torque	21.6 LB-FT
R.P.M.	1765			Pull-up Torque	12.3 LB-FT
Hz	60	Phase	3	Locked-rotor Torque	15 LB-FT
NEMA Design Code	B	KVA Code	M	Starting Current	16.5 A
Service Factor (S.F.)	1.15			No-load Current	1.23 A
NEMA Nom. Eff.	86.5	Power Factor	71	Line-line Res. @ 25°C	14.4 Ω
Rating - Duty	40C AMB-CONT			Temp. Rise @ Rated Load	34°C
S.F. Amps				Temp. Rise @ S.F. Load	40°C

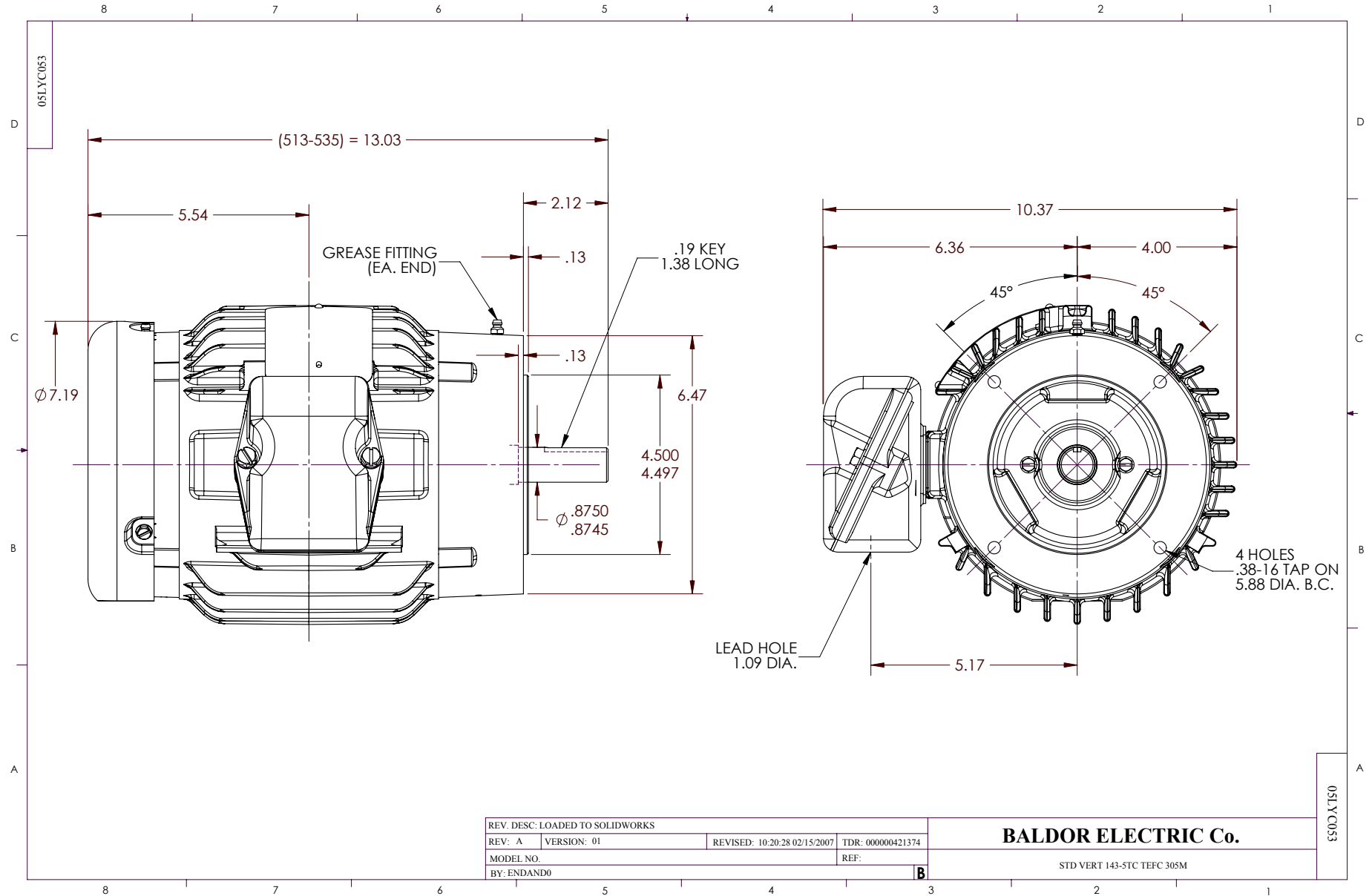
Load Characteristics 575 V, 60 Hz, 1.5 HP

% of Rated Load	25	50	75	100	125	150	S.F.
Power Factor	31	50	62	71	77	80	75
Efficiency	74.7	83.2	85.8	86.9	86.6	86	86.7
Speed	1792	1783	1774	1764	1754	1743	1758
Line amperes	1.28	1.41	1.62	1.85	2.15	2.47	2.03

Performance Graph at 575V, 60Hz, 1.5HP Typical performance - Not guaranteed values



11/22/2016 ACPERF: record # 38408



CD0006



NOTES:

1. THREE LEAD MOTOR MAY BE EITHER WYE CONNECTED OR DELTA CONNECTED.
2. INTERCHANGE ANY TWO LINE LEADS TO REVERSE ROTATION.
3. OPTIONAL THERMOSTATS ARE PROVIDED WHEN SPECIFIED.
4. ACTUAL NUMBER OF INTERNAL PARALLEL CIRCUITS MAY VARY.
5. LEAD COLORS ARE OPTIONAL. LEADS MUST BE NUMBERED AS SHOWN.

REV. DESC: REVISE TO SHOW OPTIONAL COLORS			
REV. LTR: D	BY: JLP	REVISED: 01/21/99 4:02	TDR: 0171435
9000D		FILE: AAA00005141	MDL: -
		MTL: -	

BALDOR ELECTRIC Co.

3PH, SV, 3 LEADS, WYE OR DELTA CONNECTED

CD0006