

BALDOR® • ***RELIANCE***

Product Information Packet

VENM3538

.5HP,1765RPM,3PH,60HZ,56C,3516M,TENV,F1

| Part Detail | | | | | | | |
|-------------|------|----------------|-------|-------------|----------|---------------|------------|
| Revision: | H | Status: | PRD/A | Change #: | | Proprietary: | No |
| Type: | AC | Prod. Type: | 3516M | Elec. Spec: | 35WGM303 | CD Diagram: | CD0005 |
| Enclosure: | TENV | Mfg Plant: | | Mech. Spec: | 35E010 | Layout: | 35LYE010 |
| Frame: | 56C | Mounting: | F1 | Poles: | 04 | Created Date: | 11-24-2010 |
| Base: | N | Rotation: | R | Insulation: | F | Eff. Date: | 09-14-2016 |
| Leads: | 9#18 | | | | | Replaced By: | |
| Literature: | | Elec. Diagram: | | | | | |

| Parts List | | |
|-------------|--|----------|
| Part Number | Description | Quantity |
| SA212872 | SA 35E010M303G3 | 1.000 EA |
| RA200101 | RA 35E010M303G3 | 1.000 EA |
| NS2512A01 | INSULATOR, CONDUIT BOX X | 1.000 EA |
| 35CB3007 | 35 CB CASTING W/.88 DIA. LEAD HOLE | 1.000 EA |
| 36GS1000 | GASKET-CONDUIT BOX, .06 THICK #SV-330 LE | 1.000 EA |
| 51XB1016A07 | 10-16 X 7/16 HXWSSLD SERTYB | 2.000 EA |
| 11XW1032G06 | 10-32 X .38, TAPTITE II, HEX WSHR SLTD U | 1.000 EA |
| 35EP3100M69 | STD FR EP-TENV-35L OR M--203 BRG | 1.000 EA |
| HW5100A03SP | WAVY WASHER (W1543-017) | 1.000 EA |
| 35EP3300A33 | SPL FACE MTD EP -ENCL-205 BRG | 1.000 EA |
| 51XN1032A20 | 10-32 X 1 1/4 HX WS SL SR | 2.000 EA |
| 35CB4521GX | CONDUIT BOX LID KIT | 1.000 EA |
| 51XW0832A07 | 8-32 X .44, TAPTITE II, HEX WSHR SLTD SE | 4.000 EA |
| HA7000A04 | KEY RETAINER 0.625 DIA SHAFTS | 1.000 EA |
| 85XU0407S04 | 4X1/4 U DRIVE PIN STAINLESS | 2.000 EA |
| MJ1000A02 | GREASE, POLYREX EM EXXON (USe 4824-15A) | 0.050 LB |
| MG1000Y03 | MUNSELL 2.53Y 6.70/ 4.60, GLOSS 20, | 0.017 GA |
| HW2501D13 | KEY, 3/16 SQ X 1.375 | 1.000 EA |
| HA3100A12 | THRUBOLT 10-32 X 7.375 | 4.000 EA |
| LC0005E01 | CONN.DIA./WARNING LABEL (LC0005/LB1119N) | 1.000 EA |
| NP2116L | ALUM SUPER-E UL CSA CC | 1.000 EA |
| 35PA1066 | PKG GRP, PRINT PK1008A06 | 1.000 EA |
| PK3082 | STYROFOAM CRADLE | 1.000 EA |
| MN416A01 | TAG-INSTAL-MAINT no wire (1200/bx) 11/14 | 1.000 EA |

AC Induction Motor Performance Data

Record # 29058 - Typical performance - not guaranteed values

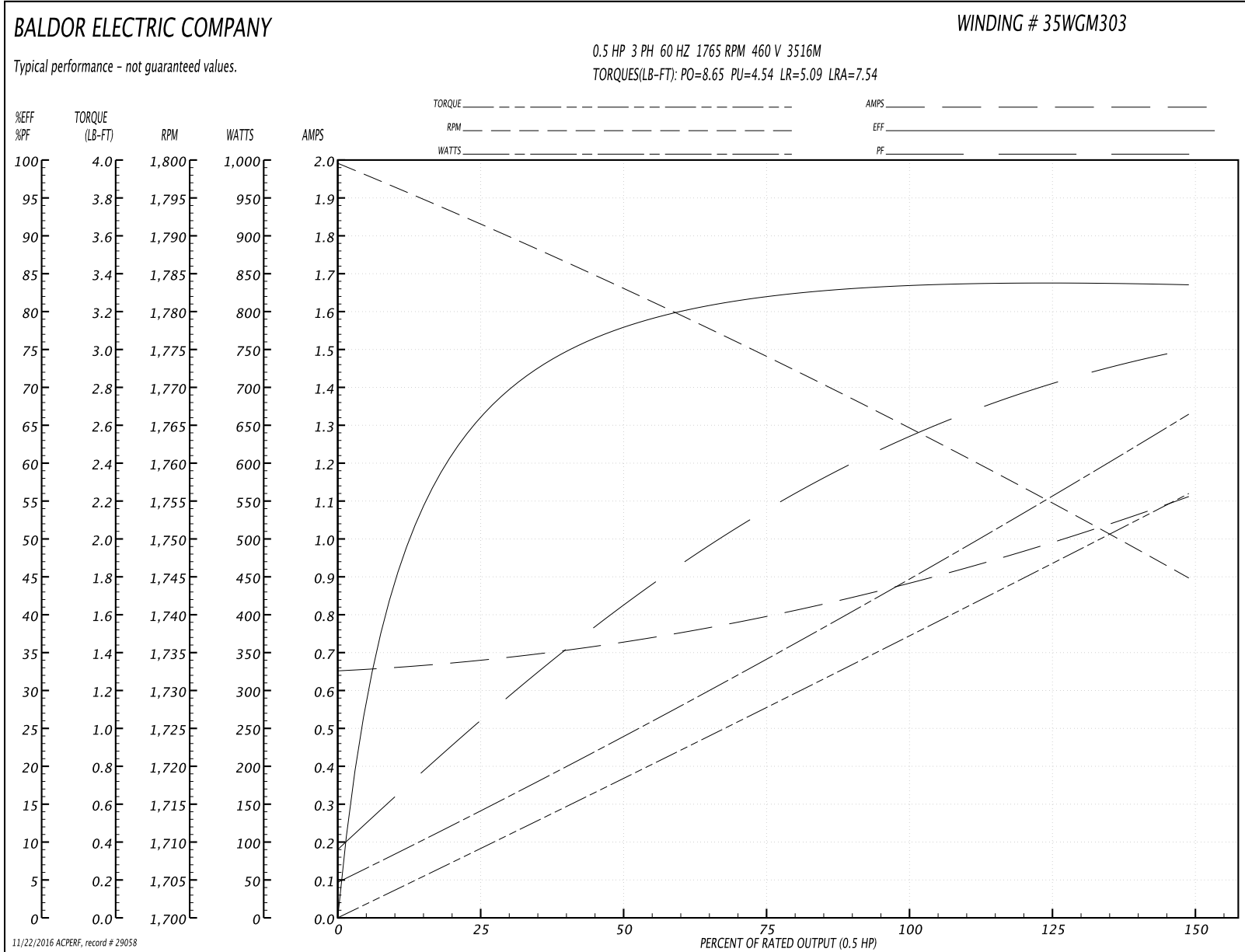
| | | |
|-------------------------------|--------------------|------------------------|
| Winding: 35WGM303-R001 | Type: 3516M | Enclosure: TENV |
|-------------------------------|--------------------|------------------------|

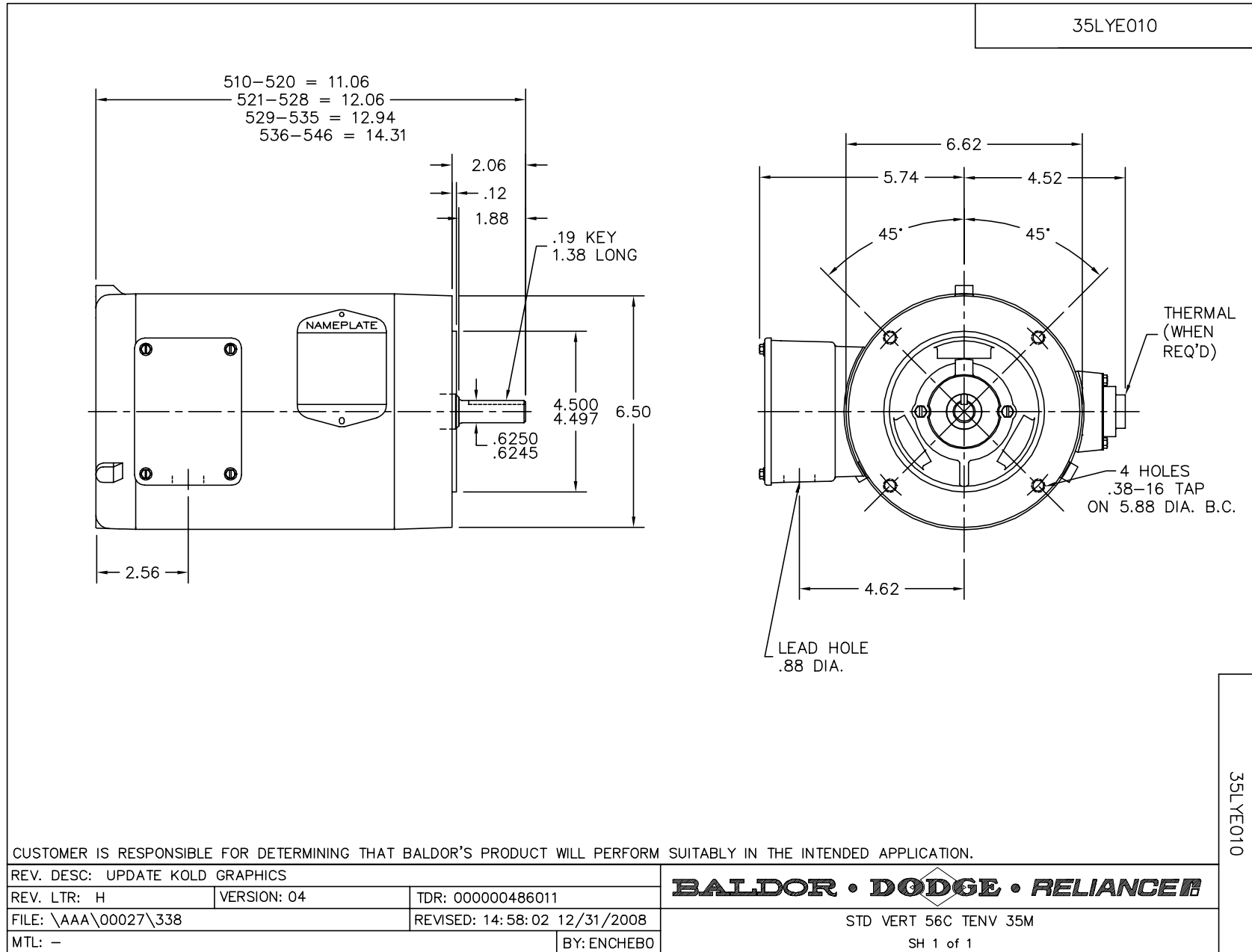
| Nameplate Data | | | | 460 V, 60 Hz: High Voltage Connection | |
|-----------------------|--------------|--------------|----|--|----------------|
| Rated Output (HP) | .5 | | | Full Load Torque | 1.49 LB-FT |
| Volts | 230/460 | | | Start Configuration | direct on line |
| Full Load Amps | 1.8/.9 | | | Breakdown Torque | 8.65 LB-FT |
| R.P.M. | 1765 | | | Pull-up Torque | 4.54 LB-FT |
| Hz | 60 | Phase | 3 | Locked-rotor Torque | 5.09 LB-FT |
| NEMA Design Code | B | KVA Code | N | Starting Current | 7.54 A |
| Service Factor (S.F.) | 1.15 | | | No-load Current | 0.655 A |
| NEMA Nom. Eff. | 84 | Power Factor | 64 | Line-line Res. @ 25°C | 25.6 Ω |
| Rating - Duty | 40C AMB-CONT | | | Temp. Rise @ Rated Load | 54°C |
| S.F. Amps | | | | Temp. Rise @ S.F. Load | 65°C |

Load Characteristics 460 V, 60 Hz, 0.5 HP

| % of Rated Load | 25 | 50 | 75 | 100 | 125 | 150 | S.F. |
|-----------------|-------|-------|-------|-------|-------|------|-------|
| Power Factor | 26 | 41 | 54 | 64 | 70 | 75 | 70 |
| Efficiency | 65.5 | 77.9 | 81.9 | 83.6 | 83.9 | 83.5 | 83.9 |
| Speed | 1793 | 1783 | 1774 | 1765 | 1755 | 1745 | 1755 |
| Line amperes | 0.674 | 0.725 | 0.793 | 0.885 | 0.986 | 1.11 | 0.986 |

Performance Graph at 460V, 60Hz, 0.5HP Typical performance - Not guaranteed values

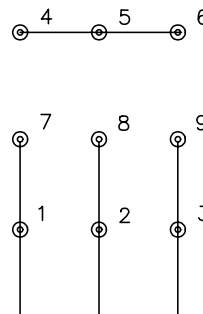




CD0005

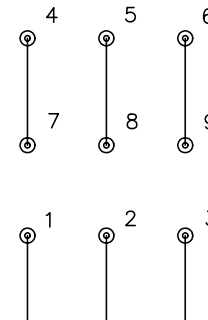


LOW VOLTAGE
(2Y)



LINE

HIGH VOLTAGE
(1Y)



LINE

NOTES:

1. INTERCHANGE ANY TWO LINE LEADS TO REVERSE ROTATION.
2. OPTIONAL THERMOSTATS ARE PROVIDED WHEN SPECIFIED.
3. ACTUAL NUMBER OF INTERNAL PARALLEL CIRCUITS MAY BE A MULTIPLE OF THOSE SHOWN ABOVE.
4. LEAD COLORS ARE OPTIONAL. LEADS MUST ALWAYS BE NUMBERED AS SHOWN.

| | | | |
|---|---------|-------------------------|--------------|
| REV. DESC: REVISE TO SHOW OPTIONAL COLORS | | | |
| REV. LTR: E | BY: JLP | REVISED: 01/19/99 10:15 | TDR: 0171435 |
| 9000D | | FILE: AAA00005140 | MDL: - |
| | | MTL: - | |

BALDOR ELECTRIC Co.

3PH, DV, 9 LEADS

CD0005